



Install Guide

Please read instructions in their entirety before proceeding with any part of the installation. This luminaire must be installed in accordance with the National Electric Code and local regulations. This luminaire must be installed by a qualified electrician. Use of ballast or other components not supplied by Vode Lighting voids warranty. To prevent electric shock, turn off electricity at the fuse box before proceeding. Do not install this product in wet locations. UL listed for dry and damp locations only. Retain instructions for future reference.

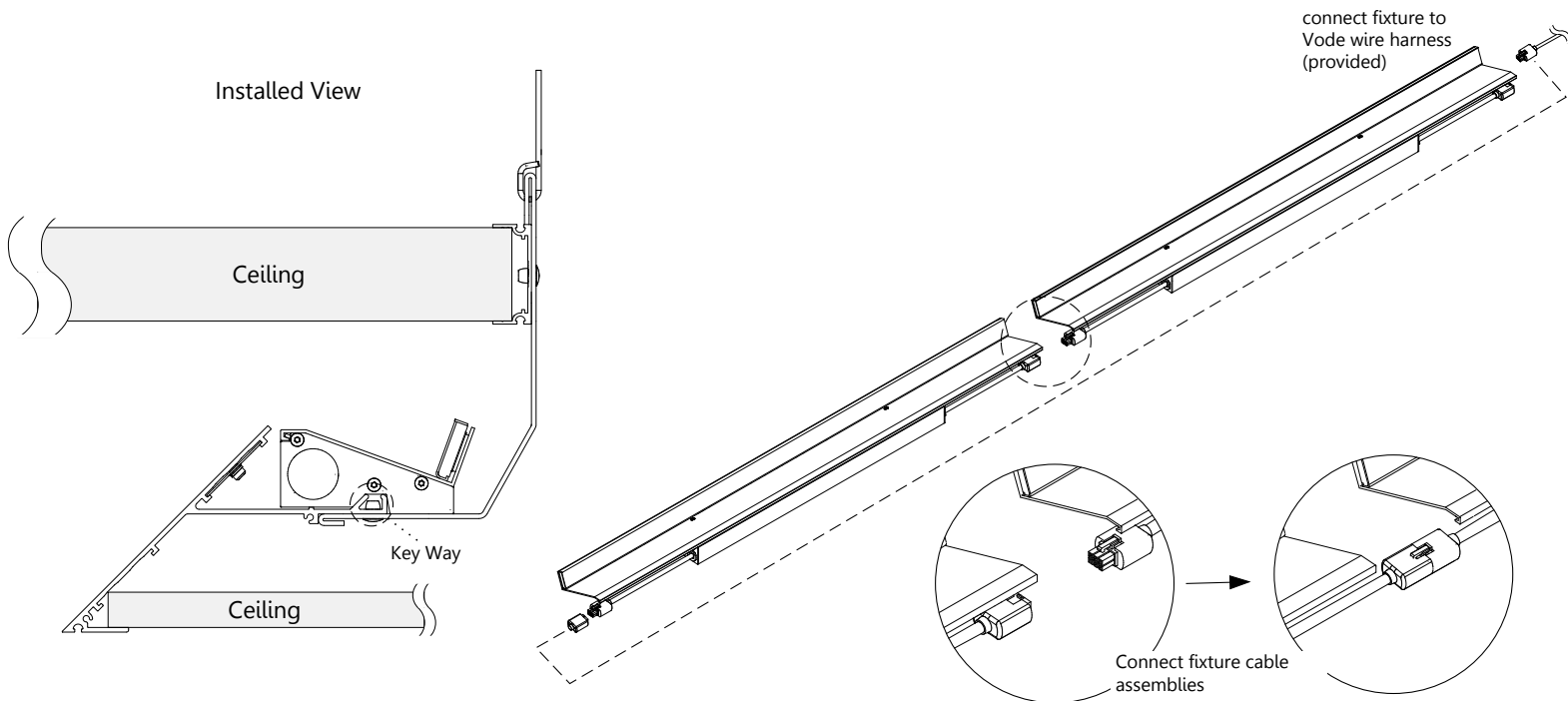
Technical Support: 707-996-9898

IMPORTANT! Before installing power supply turn off electricity at circuit box and consult wiring diagram.

Armstrong Ceiling Cove: AC

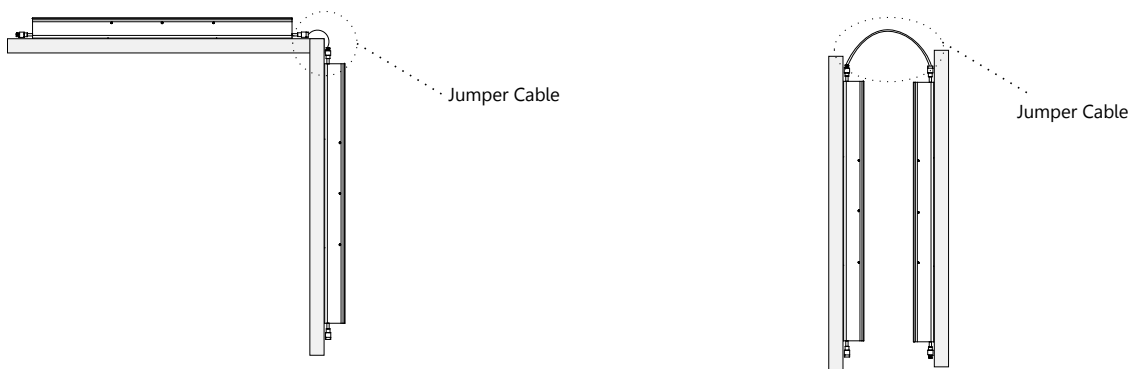
NOTE: Install Vode ZipWave lighting fixtures only after the AXIOM® Indirect Ceiling-to-Ceiling Light cove is installed.

1. Starting with the fixture farthest from the j-box, place fixture into the Armstrong AXIOM® Indirect Ceiling-to-Ceiling Light Cove so it is securely positioned on the key way. The key way ensures the lighting fixture is positioned correctly inside the cove.
2. Place the second fixture next to the first fixture and connect the cable assembly. Push the fixtures together so they touch. Continue this process until you reach the end of the fixture run.
3. Make note of the fixture connector type (male or female) and use the appropriate Vode wire harness to connect to the power supply. The Vode wire harness comes with a removable end cap. The end cap should be placed on the cable assembly at the far end of the run.



Optional

To connect two fixture runs to the same power supply, use the male to female jumper cable (ex. for corner or parallel runs).





Install Guide

Please read instructions in their entirety before proceeding with any part of the installation. This luminaire must be installed in accordance with the National Electric Code and local regulations. This luminaire must be installed by a qualified electrician. Use of ballast or other components not supplied by Vode Lighting voids warranty. To prevent electric shock, turn off electricity at the fuse box before proceeding. Do not install this product in wet locations. UL listed for dry and damp locations only. Retain instructions for future reference.

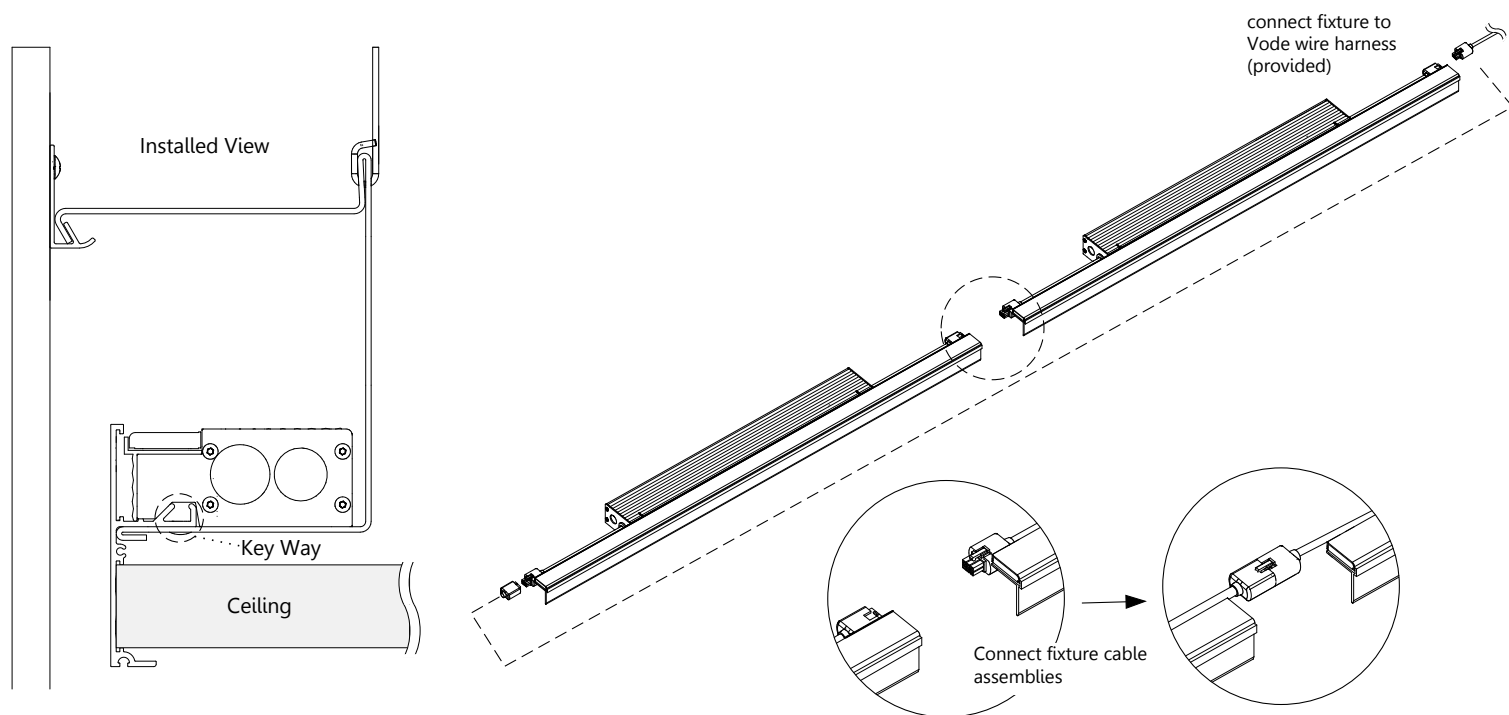
Technical Support: 707-996-9898

IMPORTANT! Before installing power supply turn off electricity at circuit box and consult wiring diagram.

Armstrong Wall Cove: AW

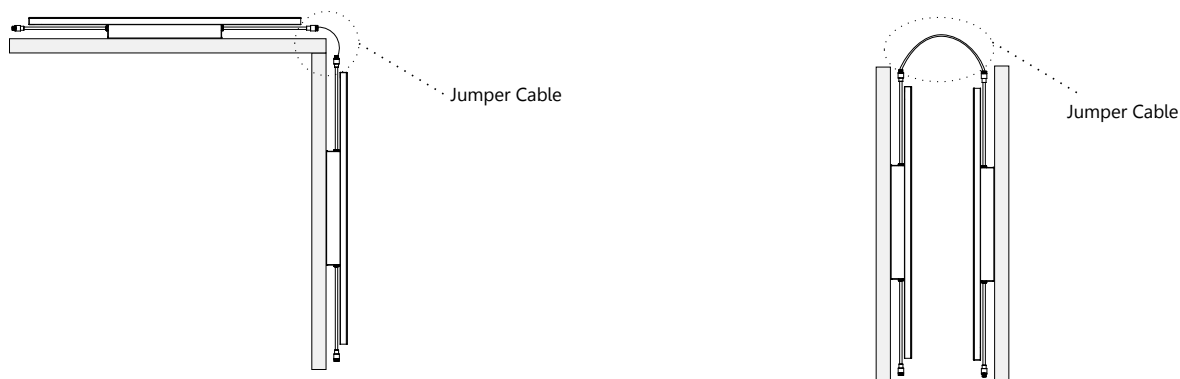
NOTE: Install Vode ZipWave lighting fixtures only after the AXIOM® Indirect Ceiling-to-Wall Light cove is installed.

1. Starting with the fixture farthest from the j-box, place fixture into the Armstrong AXIOM® Indirect Ceiling-to-Wall Light Cove so it is securely positioned on the key way. The key way ensures the lighting fixture is positioned correctly inside the cove.
2. Place the second fixture next to the first fixture and connect the cable assembly. Push the fixtures together so they touch. Continue this process until you reach the end of the fixture run.
3. Make note of the fixture connector type (male or female) and use the appropriate Vode wire harness to connect to the power supply. The Vode wire harness comes with a removable end cap. The end cap should be placed on the cable assembly at the far end of the run.



Optional

To connect two fixture runs to the same power supply, use the male to female jumper cable (ex. for corner or parallel runs).





Install Guide

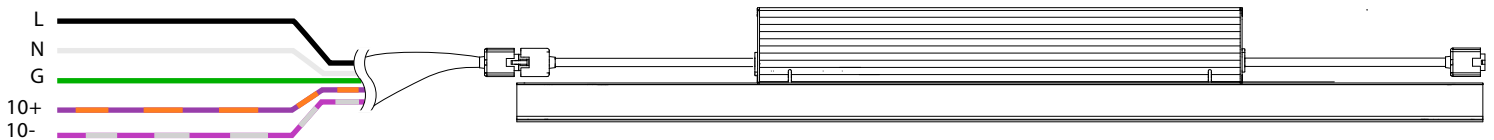
Please read instructions in their entirety before proceeding with any part of the installation. This luminaire must be installed in accordance with the National Electric Code and local regulations. This luminaire must be installed by a qualified electrician. Use of ballast or other components not supplied by Vode Lighting voids warranty. To prevent electric shock, turn off electricity at the fuse box before proceeding. Do not install this product in wet locations. UL listed for dry and damp locations only. Retain instructions for future reference.

Technical Support: 707-996-9898

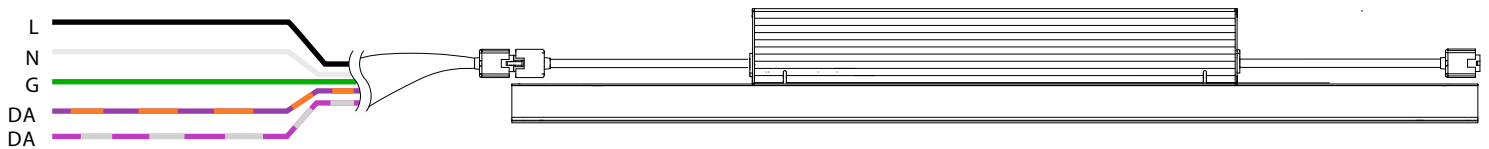
Wiring for Dimming

Fixtures utilize a five (5) wire cable assembly to allow for easy dimming control. Please consult the wiring diagram below for more detail.

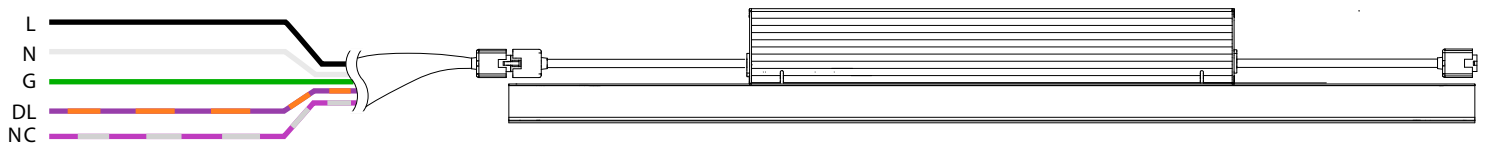
Dimming via 0-10v



Dimming via DALI



Dimming via HiLume



Dimming via EcoSystem

