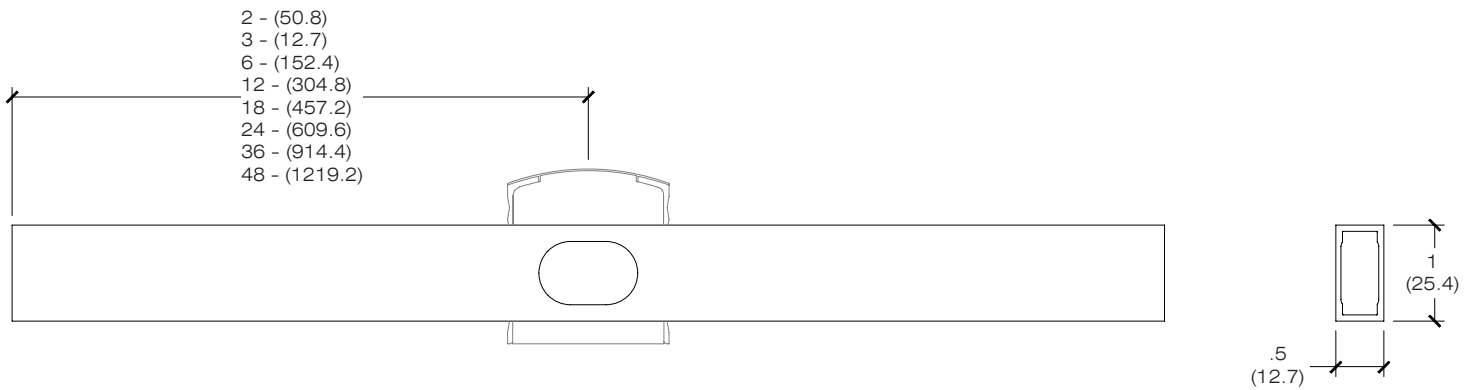
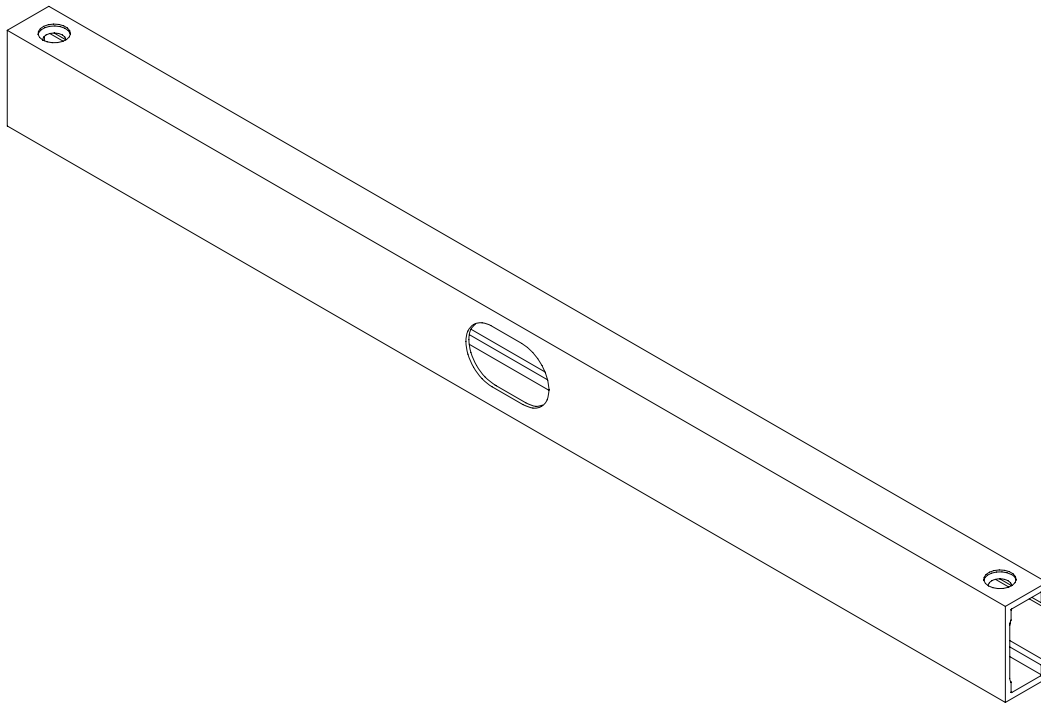
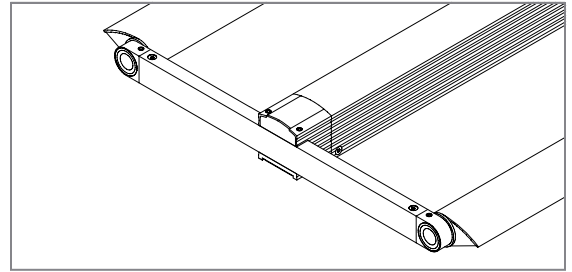




# Single Arm / Double Sided K2

For use with MLR Sidekick System  
Technical Sheet

Connects Sidekick System integral power supply housing to rails at double sided (K2) system end sections and allow concealed power feed. Single arms supplied in pairs. Brushed aluminum finish standard.



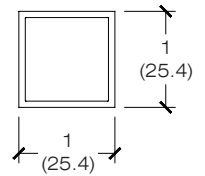
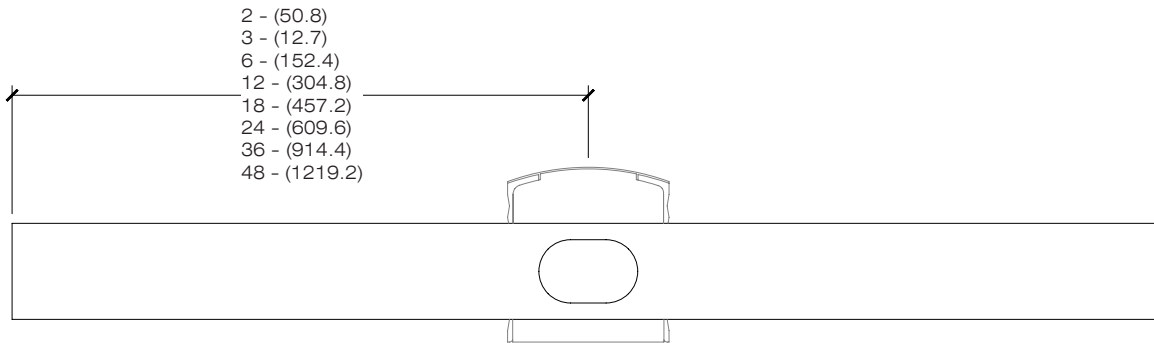
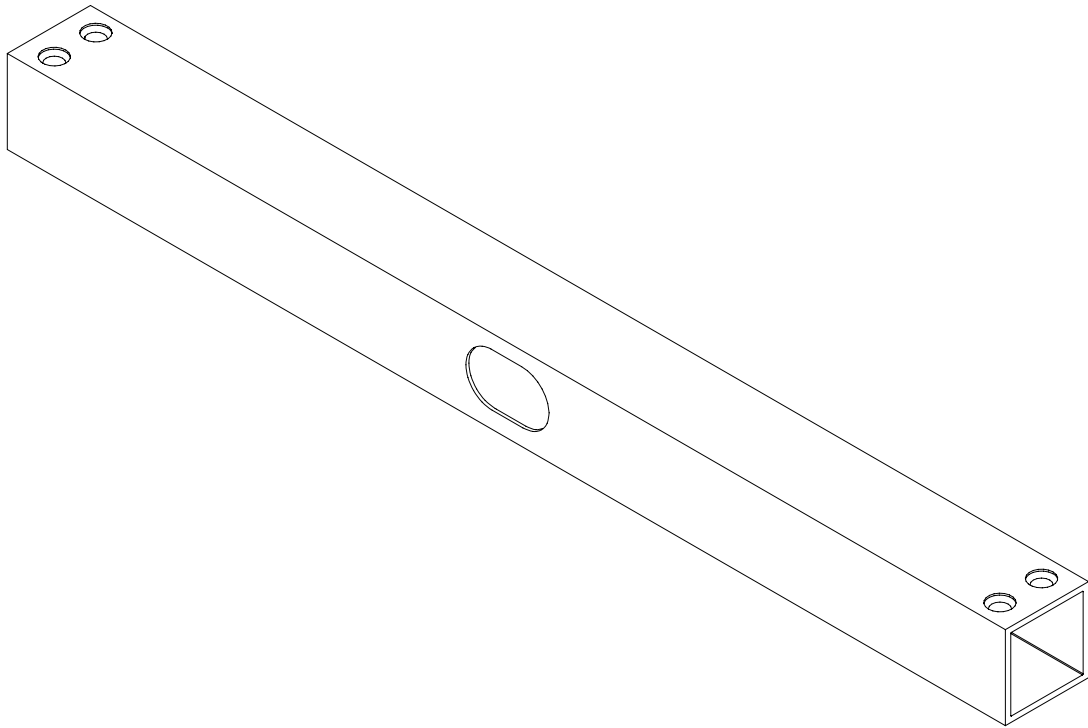
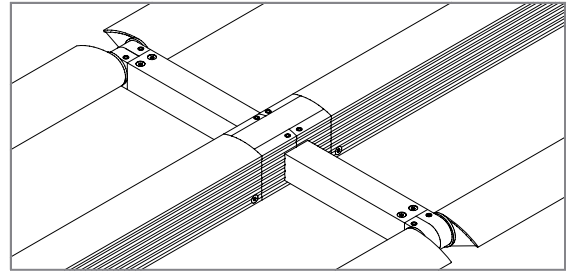
<b>PART NUMBER</b>	<b>100-ASK2-(Length)-AL</b>	Scale: 1:2
<b>DESCRIPTION</b>	MLR Sidekick System, single arm (2), double sided, aluminum finish.	Unit: inches (mm)
		Drawn By: CB
		Date: 02/10/12



# Double Arm / Double Sided K2

For use with MLR Sidekick System  
Technical Sheet

Connects Sidekick System integral power supply housing to rails at double sided (K2) system mid sections and allow concealed power feed. Brushed aluminum finish standard.



<b>PART NUMBER</b>	<b>100-ADK2-(Length)-AL</b>	Scale: 1:2
<b>DESCRIPTION</b>	MLR Sidekick System, double arm, double sided, aluminum finish.	Unit: inches (mm)
		Drawn By: CB
		Date: 02/10/12