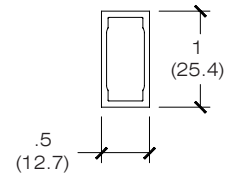
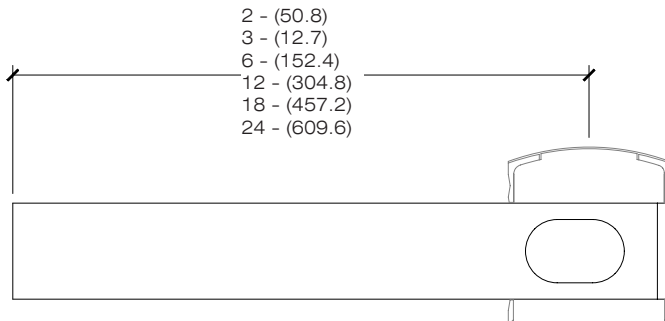
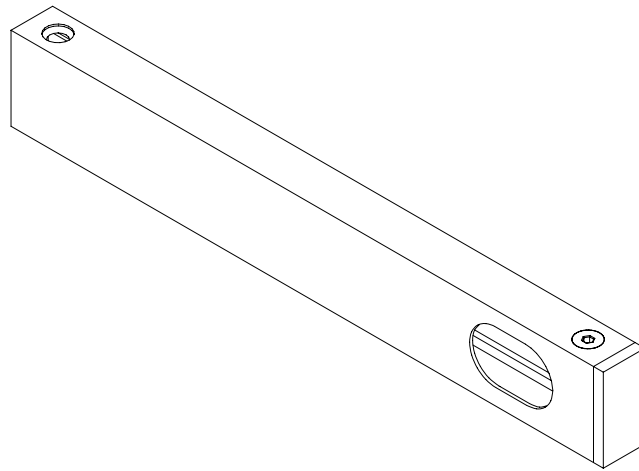
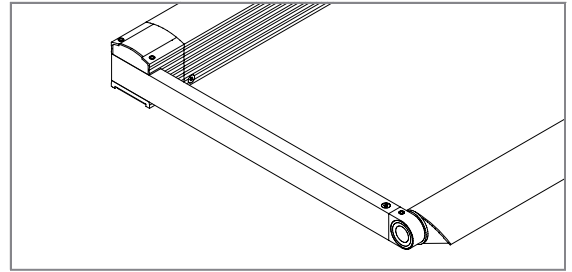




# Single Arm / Single Sided K1

For use with MLR Sidekick System  
Technical Sheet

Connects MLR Sidekick System integral power supply housing to rails at single sided (K1) system end sections and allow concealed power feed. Single arms supplied in pairs. Single sided (K1) arms cannot exceed 24" Brushed aluminum finish standard.



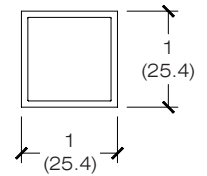
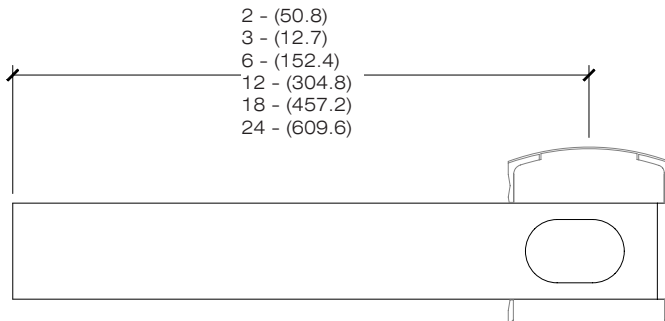
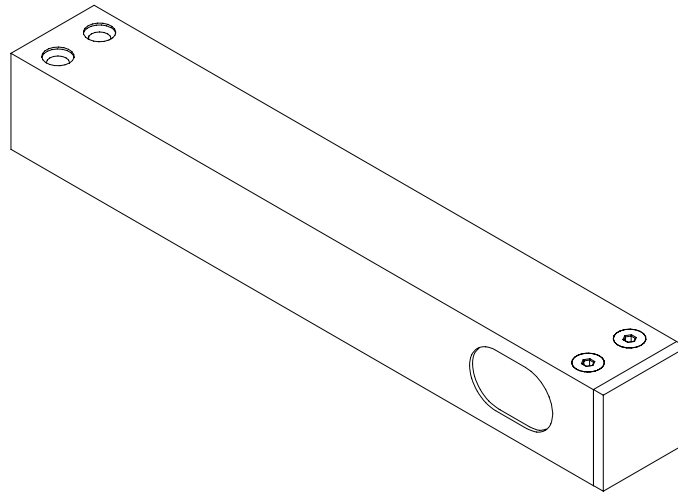
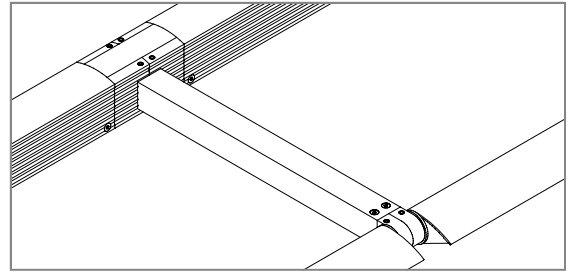
<b>PART NUMBER</b>	<b>100-ASK1-(Length)-AL</b>	Scale: 1:2
<b>DESCRIPTION</b>	100 Series, MLR Sidekick System, single arm (2), single sided, aluminum finish.	Unit: inches (mm)
		Drawn By: CB
		Date: 02/10/12



# Double Arm / Single Sided K1

For use with MLR Sidekick System  
Technical Sheet

Connects MLR Sidekick System integral power supply housing to rails at single sided (K1) system mid sections and allow concealed power feed. Single arms supplied in pairs. Single sided (K1) arms cannot exceed 24" Brushed aluminum finish standard.



<b>PART NUMBER</b>	<b>100-ADK1-(Length)-AL</b>	Scale: 1:2
<b>DESCRIPTION</b>	100 Series, MLR Sidekick System, double arm, single sided, aluminum finish.	Unit: inches (mm)
		Drawn By: CB
		Date: 02/10/12