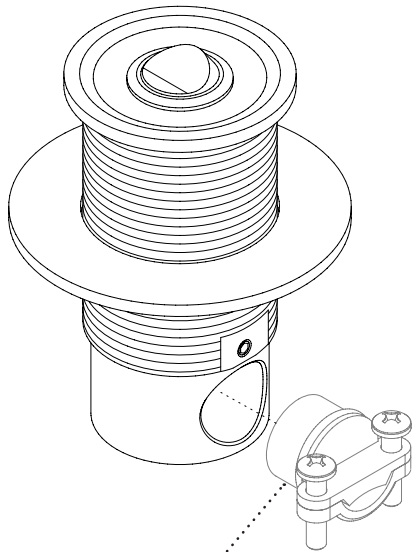
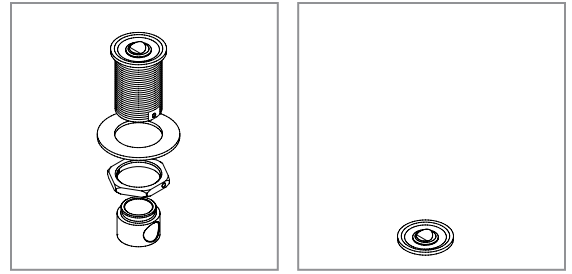




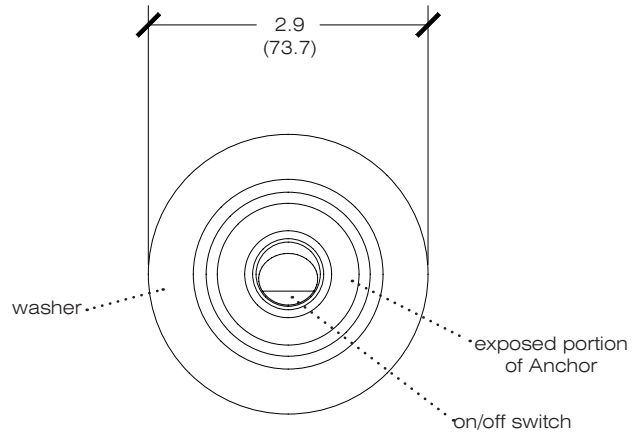
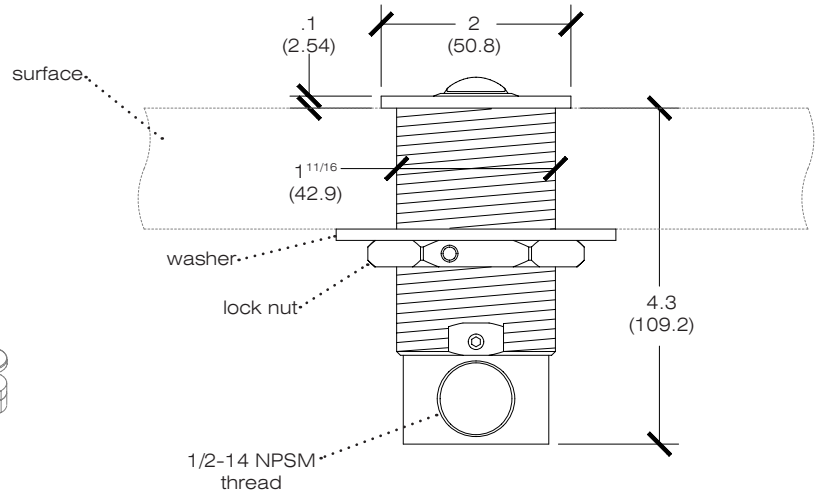
## 2" Arm Anchor / On/Off Switch

For use with all Vode Series  
Technical Sheet

Switch serves as power control, compatible with all Vode series. Mounts to work surface or similar from 1/8" to 21/4" thick. Fits hole size 111/16". 4.5" (114.3mm) is required behind mounting surface for proper installation. Vode recommends Arm Anchor for table mounted systems. Brushed aluminum finish standard.



flex conduit adaptor  
provided by others



<b>PART NUMBER</b>	<b>100-TAA-2-AL</b>	Scale: 1:2 Unit: inches (mm) Drawn By: CB Date: 02/10/12
<b>DESCRIPTION</b>	Compatible with all Vode Series, 2" table anchor, on/off switch, aluminum finish.	