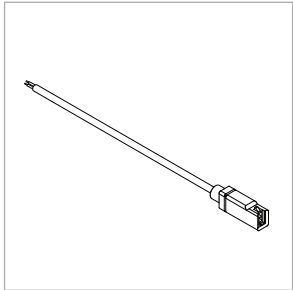
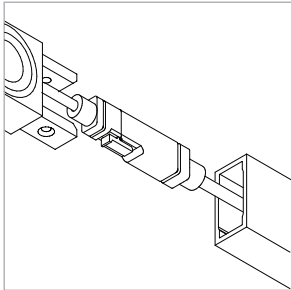


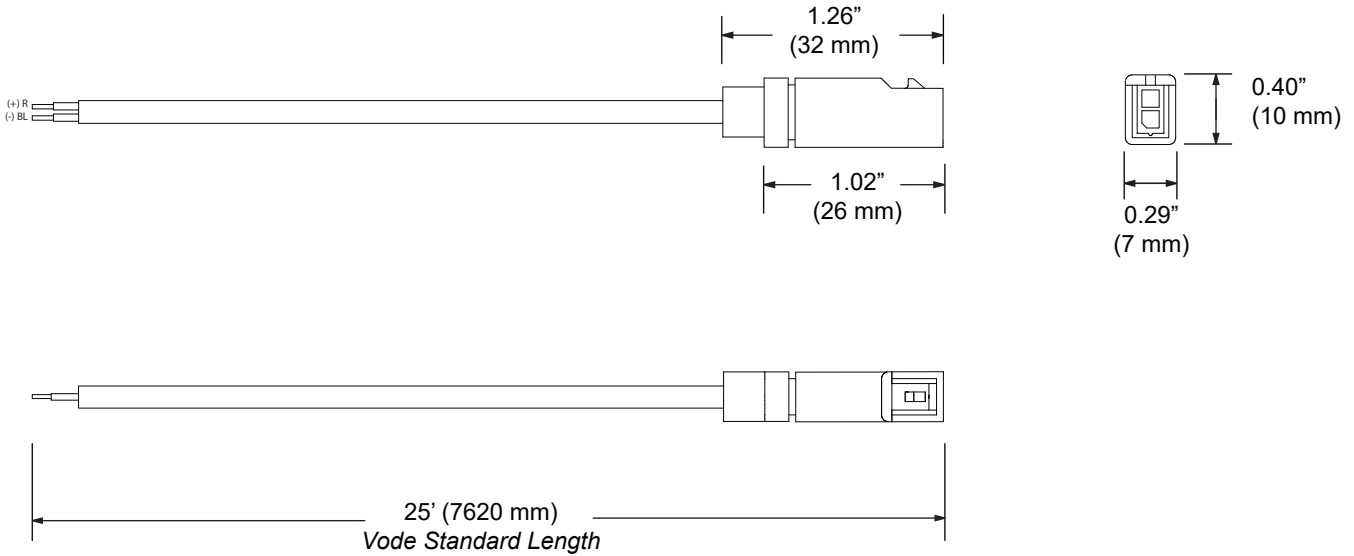
Two Conductor Wire Harness

For use with all Vode Systems

Low voltage wire harness connects driver to rail. One (1) pair of 18 AWG wires marked for (-) negative (black) and (+) positive (red) connections. Vode supplies one 25' (7.62m) wire harness per rail. Non-standard lengths available.



Technical Support: 707-996-9898 or technicalsupport@vode.com



PART NUMBER **WRH-MWP-XX-M-18/2-YY**

DESCRIPTION All systems, cable –18/2 AWG, plenum (CMP) rated, PVC, flame tested UL-910, connectors – black, glass filled nylon housings, rated UL 94 V-0, halogen free, PVC overmold, RoHS compliant, black (BJ) or white jacket (WJ)