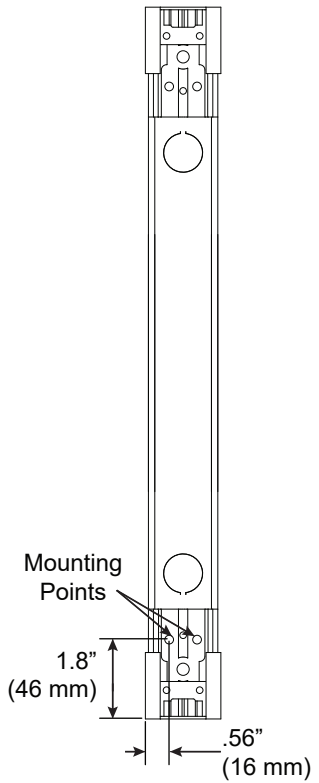
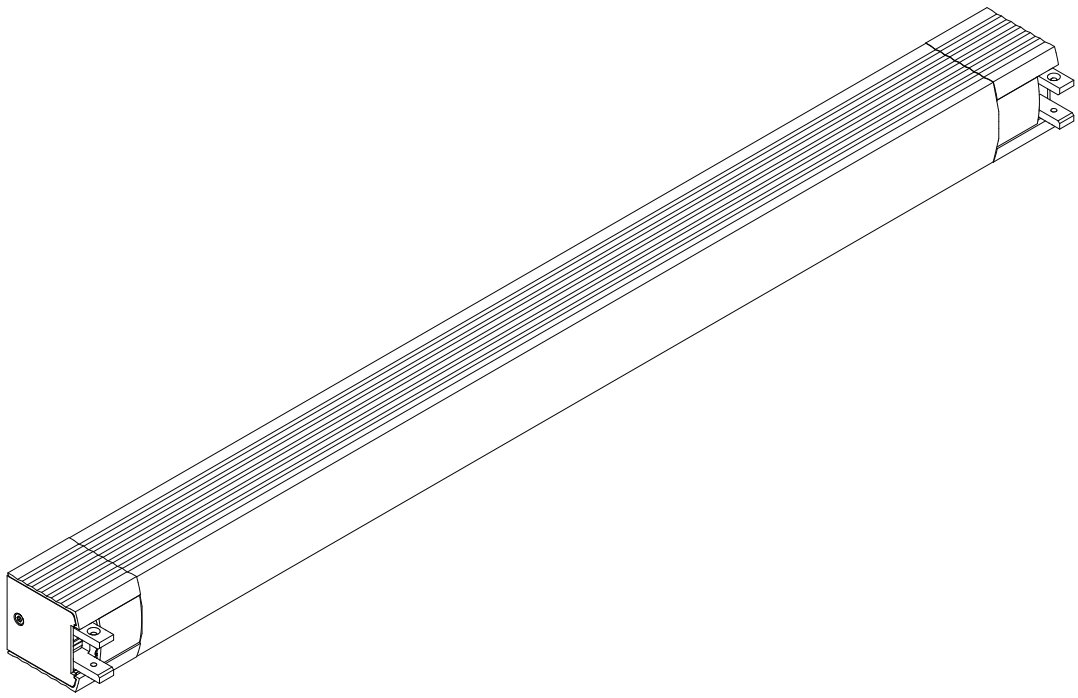
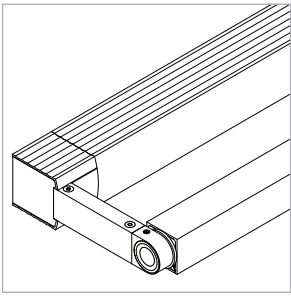
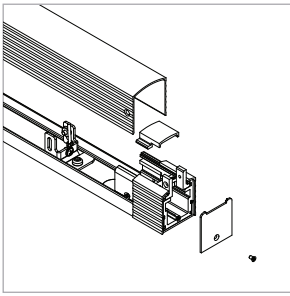


Integral Power Supply Housing

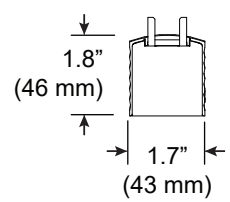
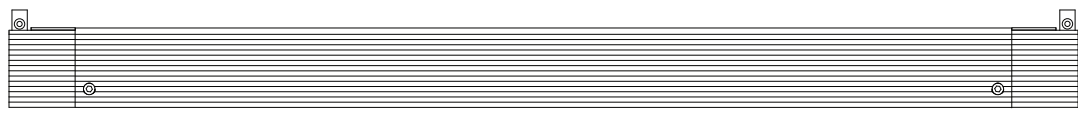
For use with System | 107

Houses integral power supply. Direct conduit feed recommended. Housing mounts to standard North America 4" j-box. Mounts to most surfaces. Blocking recommended at all arm junctions.

Technical Support: 707-996-9898



Available Between 24" (610mm) and 96" (2438mm)



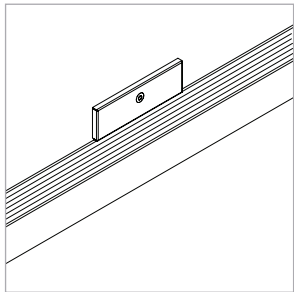
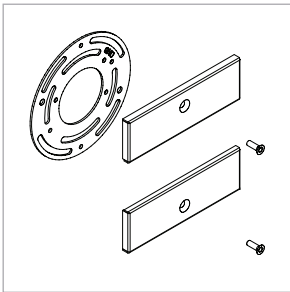
PART NUMBER **PH-107-IP-XX-YY**

DESCRIPTION Power Housing, System LED 107, integral, XX" [LENGTH], available in anodized aluminum (AA), white painted (W1) and black anodized (AB).

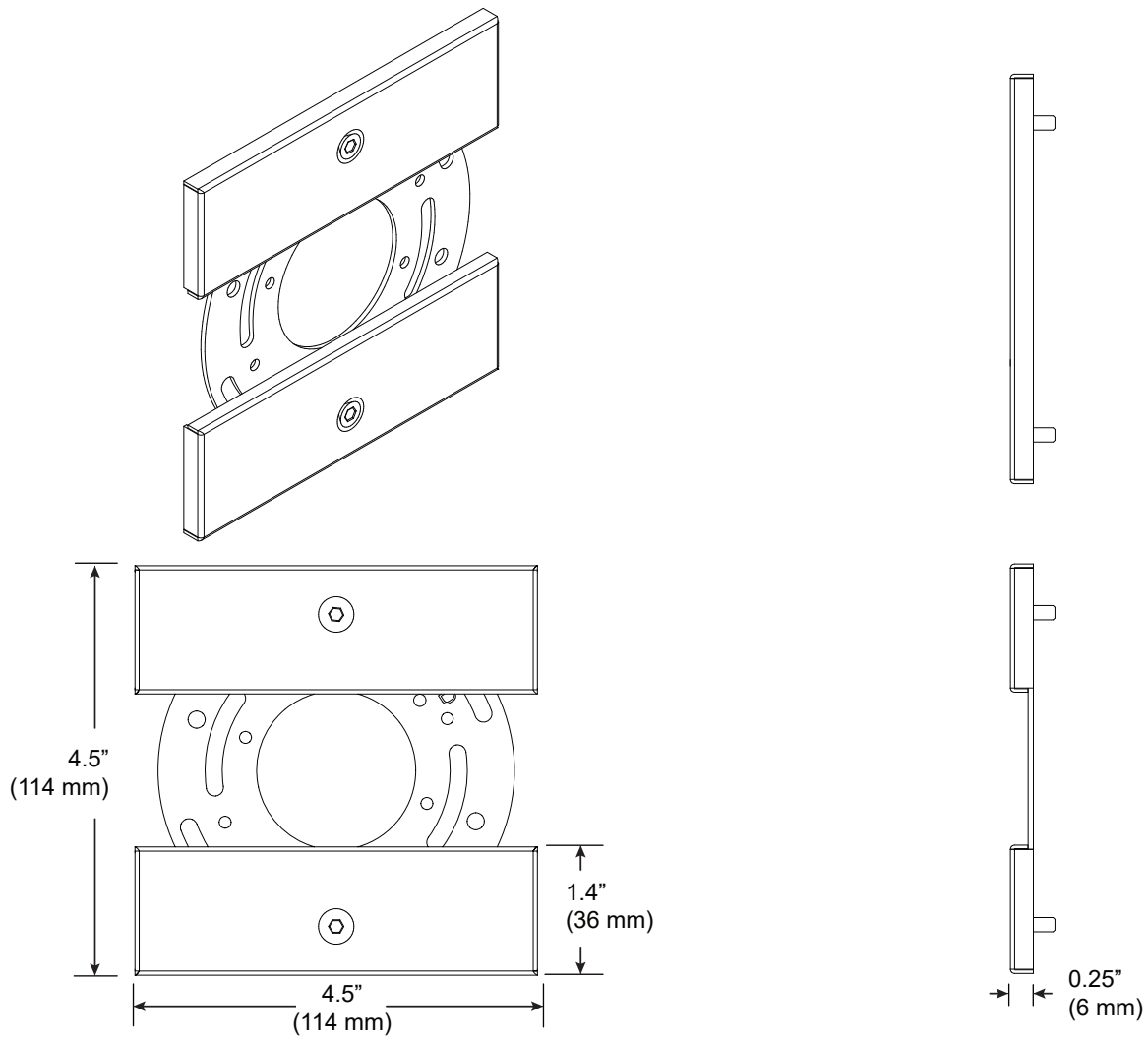
Integral Power J-Box Cover

For use with System | 107

For use with the System | 107 integral power supply housing when mounted to any standard North America 4" j-box.



Technical Support: 707-996-9898



PART NUMBER **CAN-107-IP-4S-YY**

DESCRIPTION Canopy, System LED 107, integral power, square canopy, available in anodized aluminum (AA), white painted (W1) and black anodized (AB).