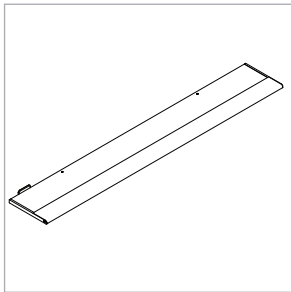
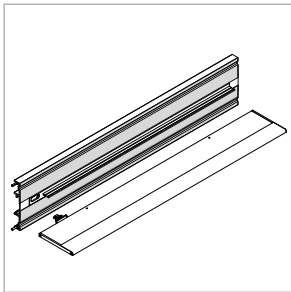


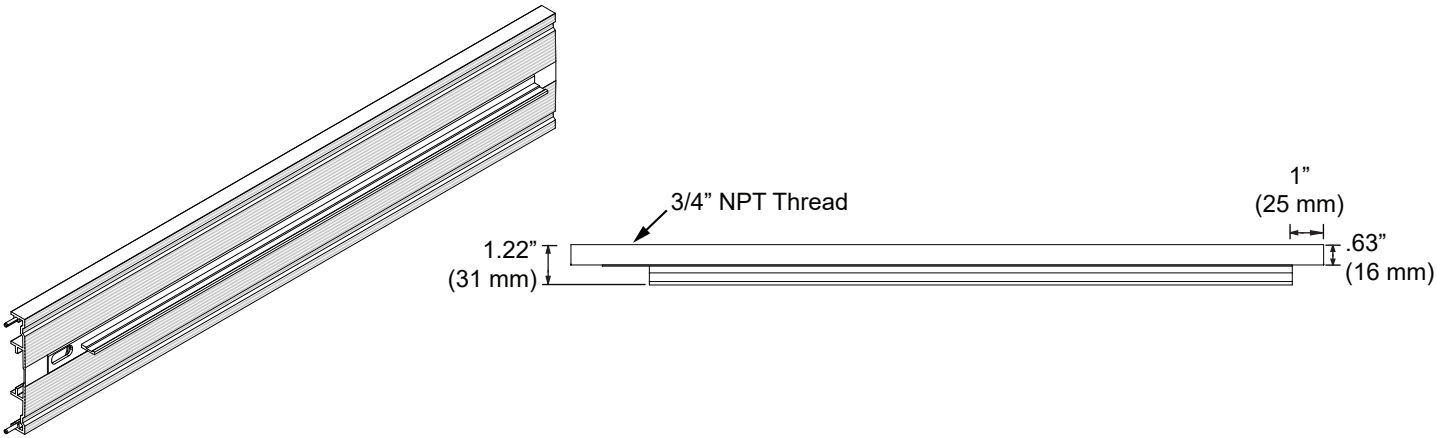
Zero Mount (Mud-In) Bracket

For use with ZipThree[®] | Wall Mount | 707

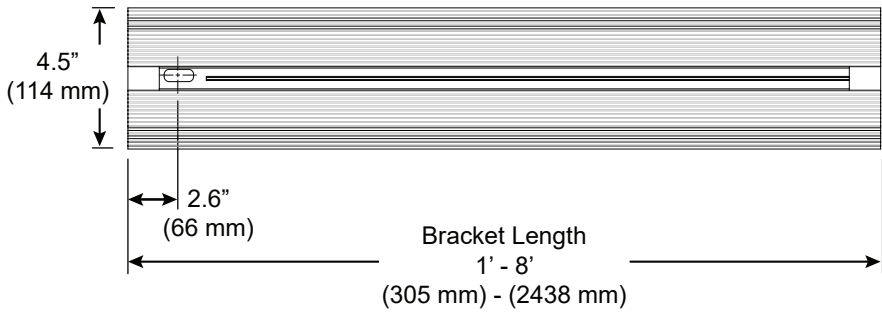
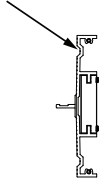
Mounts ZipThree rail to wall surface. Allows direct feed to rail through 3/4" NPT thread. Mounts to blocking and is designed for 5/8" sheet rock. Mounted fixture will leave a 1/8" - 1/4" (3mm - 6mm) reveal from mounting surface.



Technical Support: 707-996-9898 or technicalsupport@vode.com



#8 Screw Channel



PART NUMBER **BK-707-Z3-M1-XX-YY**

DESCRIPTION 707 system, ZipThree, extruded and machined 6063-T5 aluminum, one (1) 3/4" NPT thread for conduit fittings, white painted finish