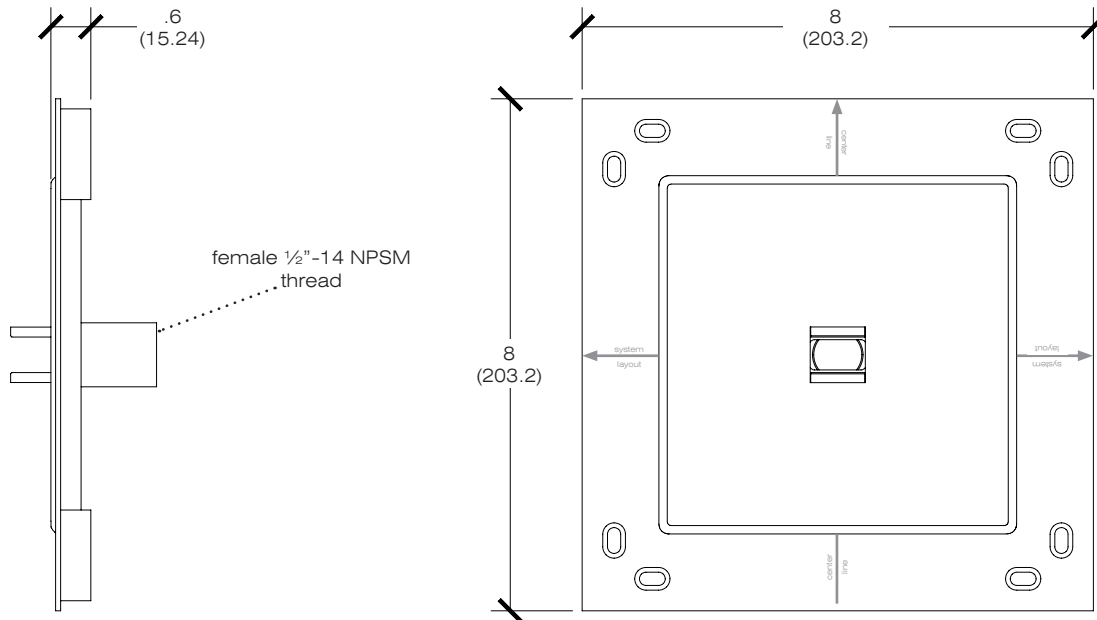
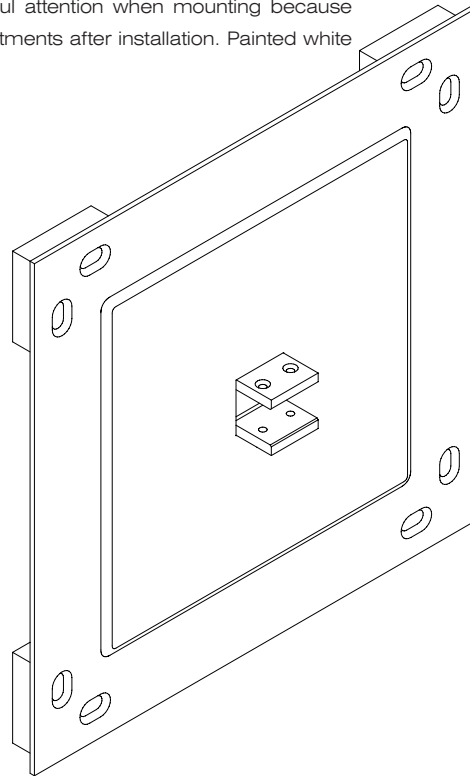
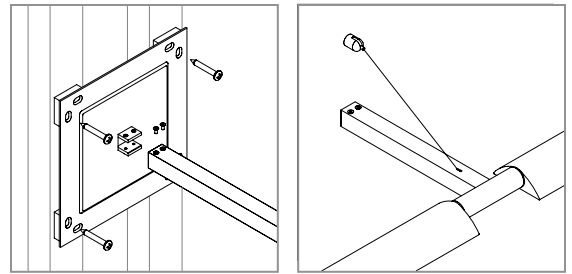




Zero Canopy / Round or Square Arm

For use with MLR System, 400 Series
Technical Sheet

Mounts MLR System mid sections & 400 Series round or square arm to surface. Allows direct feed to arm through female 1/2"-14 NPSM thread. Mounts to blocking through recessed cut-out in sheet rock. 8" is required behind mounting surface for proper installation. Vode recommends installer pay careful attention when mounting because Zero Canopy allows for no adjustments after installation. Painted white finish.



PART NUMBER	100-CZD	Scale: 1:3 Unit: inches (mm) Drawn By: CB Date: 02/10/12
DESCRIPTION	100 Series, 400 Series, zero canopy, round or square arm, white finish	