



DISCONTINUED
Call your local Vode rep or
Vode Sales Support to order.
(707) 996-9898

Spec Guide

RaceRail™ | Wall | T5 | 205

Accent lighting for corporate, hospitality and educational applications.



RaceRail, direct or indirect, 370° rotation.

Benefits & Features

Super Slim Design

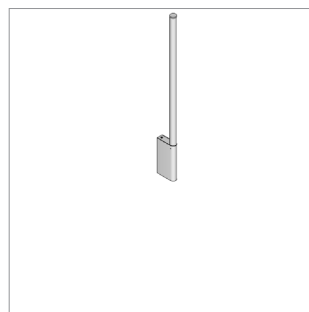
Round profile, Ø1.12" (28mm), 370° rotation, angle gage and lock.

Superior Light Quality & Performance

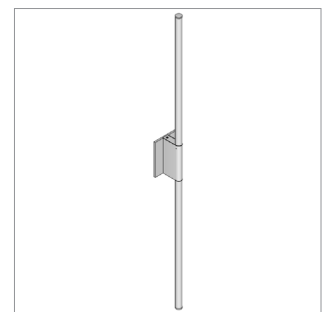
For HE & HO lamps. 42% fixture efficacy. Extruded aluminum housing with prismatic lens.

ADA Compliant

3.8" (97mm) projection.



Single Sided Rail



Double Sided Rail

Structure

Length	Single-sided length: 30.5" (775mm). Double-sided length: 54.5" (1384mm).
Rail Dimension	Ø1.12" (28mm).
Construction / Finish	Extruded and machined 6063 aluminum. Brushed aluminum (stock), black anodized, white painted and non-standard finishes available.
Mounting	Wall mount to jbox with cover plate or direct wire without cover plate.

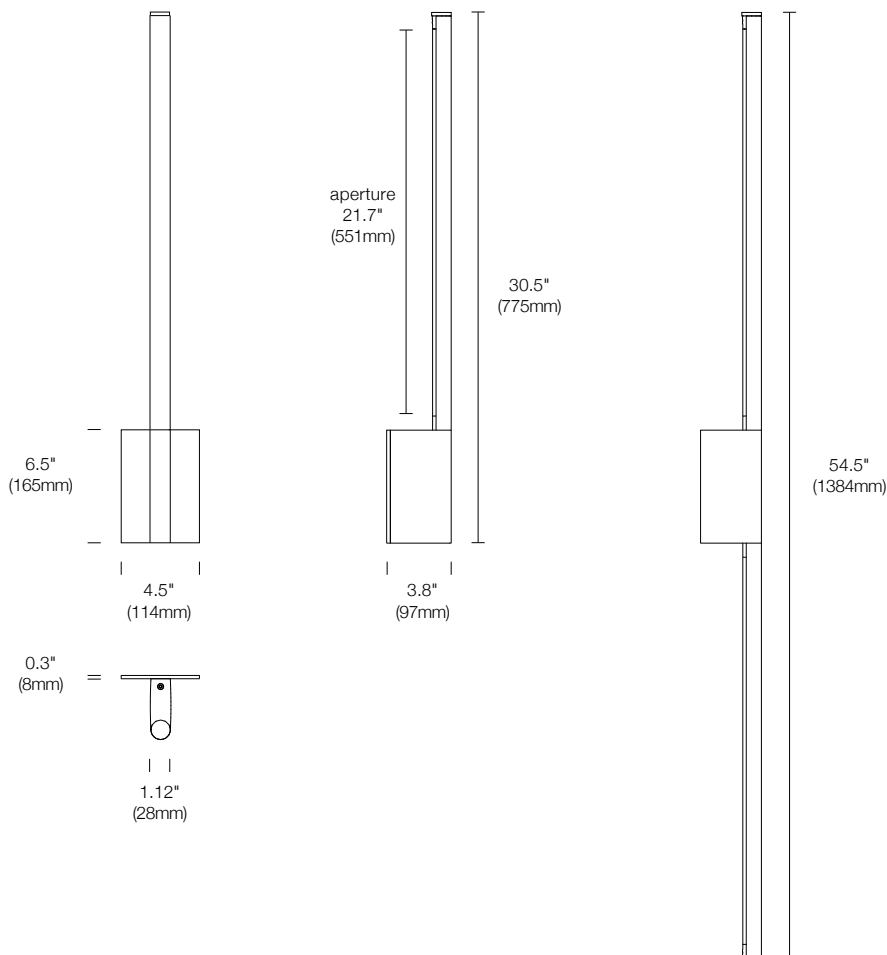
Power / Controls

Ballast Type	Thermally protected Class P and Sound Rated A.
Controls	Non-dimming. See Ballast Guide for details.
Input Voltage	120v, 277v.
Power Location	Integral power.
Emergency Power	Not available.

Light

Fixture Efficacy (lm/W)	42% efficacy.
Distribution	Symmetric distribution, 94% direct, 6% indirect.
T5 Lamp HE (High Efficiency)	14W = 24" (600mm) lamp.
T5 Lamp HO (High Output)	24W = 24" (600mm) lamp.
Color Temperature	3000K, 3500K, 4100K available. Other color temperature lamps available upon request.

Dimensions



DISCONTINUED
To order, call
(707) 996-9898

Build Your Specification

		CW		I	
--	--	-----------	--	----------	--

System & Rail Type	Length	Mounting	Ballast Location	Ballast Type	Voltage
205-RR Sconce T5, Single Rail with RaceRail	Single Rail (205-BF) 02 30.5" (775mm)	CW Wall	Integral Ballast	I Instant Start, non-dimming	1 120v 2 277v
215-RR Sconce T5, Double Rail with RaceRail	Double Rail (215-BF) 4 54.5" (1384mm)		IB No Cover Plate IC Cover Plate		

		1
--	--	----------

NOTES & LIMITATIONS¹Not available with double rail (215-BF).

Lamp Type	Finish	Lens/Baffle
Supplied by Others	AL Brushed Aluminum (stock)	1 Prismatic Lens
HE HE (High Efficiency)	WH White Painted	
HO HO (High Output) ¹	BL Black Anodized	
	Z Non-standard Finish (please specify)	
Optics for Button Board (H)		
E30 Sylvania Pentron, 3000K, HE		
E35 Sylvania Pentron, 3500K, HE		
E41 Sylvania Pentron, 4100K, HE		
O30 Sylvania Pentron, 3000K, HO ¹		
O35 Sylvania Pentron, 3500K, HO ¹		
O41 Sylvania Pentron, 4100K, HO ¹		
Z Other (please specify)		

Materials

Diffuse Lens	High-impact extruded acrylic glass (PMMA).
---------------------	--

5 Year Limited Warranty. All material and component parts used in the manufacture of Vode products are warranted to be free from defects of material and/or workmanship for a period of 5 years from date of sale. Product must be installed according to Vode installation instructions and accepted trade practices. Auxiliary equipment is not covered under Vode warranty but may be covered by separate OEM warranty. See full Vode warranty description [here](#).

All Vode fixtures are listed for dry and damp location by a nationally recognized testing laboratory (NRTL) recognized by OSHA.

DISCONTINUED
To order, call
(707) 996-9898

Copyright © 2014 Vode Lighting LLC. All rights reserved.

The Vode logo and Vode and BeeFuse names are either registered trademarks or trademarks of Vode Lighting LLC in the United States and / or other countries. All other brand or product names are trademarks or registered trademarks of their respective owners. Due to ongoing innovation, specifications may change without notice.

Vode Lighting LLC | 1206 East MacArthur, Suite 3, Sonoma, CA 95476 | 707.996.9898