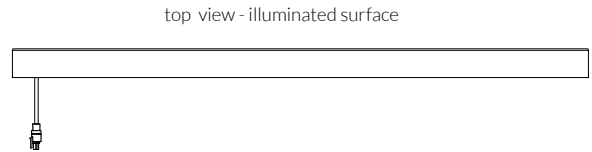
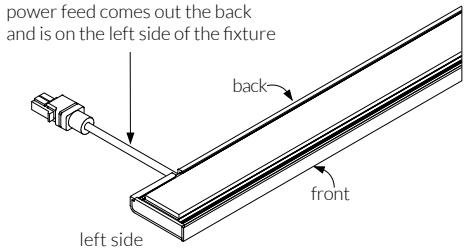




ZipOne | LED | 707  
Install Guide - Magnet, Tape, Clip

Please read instructions in their entirety before proceeding with any part of installation. This luminaire must be installed in accordance with the National Electric Code and local regulations. This luminaire must be installed by a qualified electrician. Use of components not supplied by Vode Lighting voids warranty. To prevent electric shock, turn off electricity at the circuit box before proceeding. Do not install this product in wet locations. UL listed for dry and damp locations only. Technical Support 707-996-9898

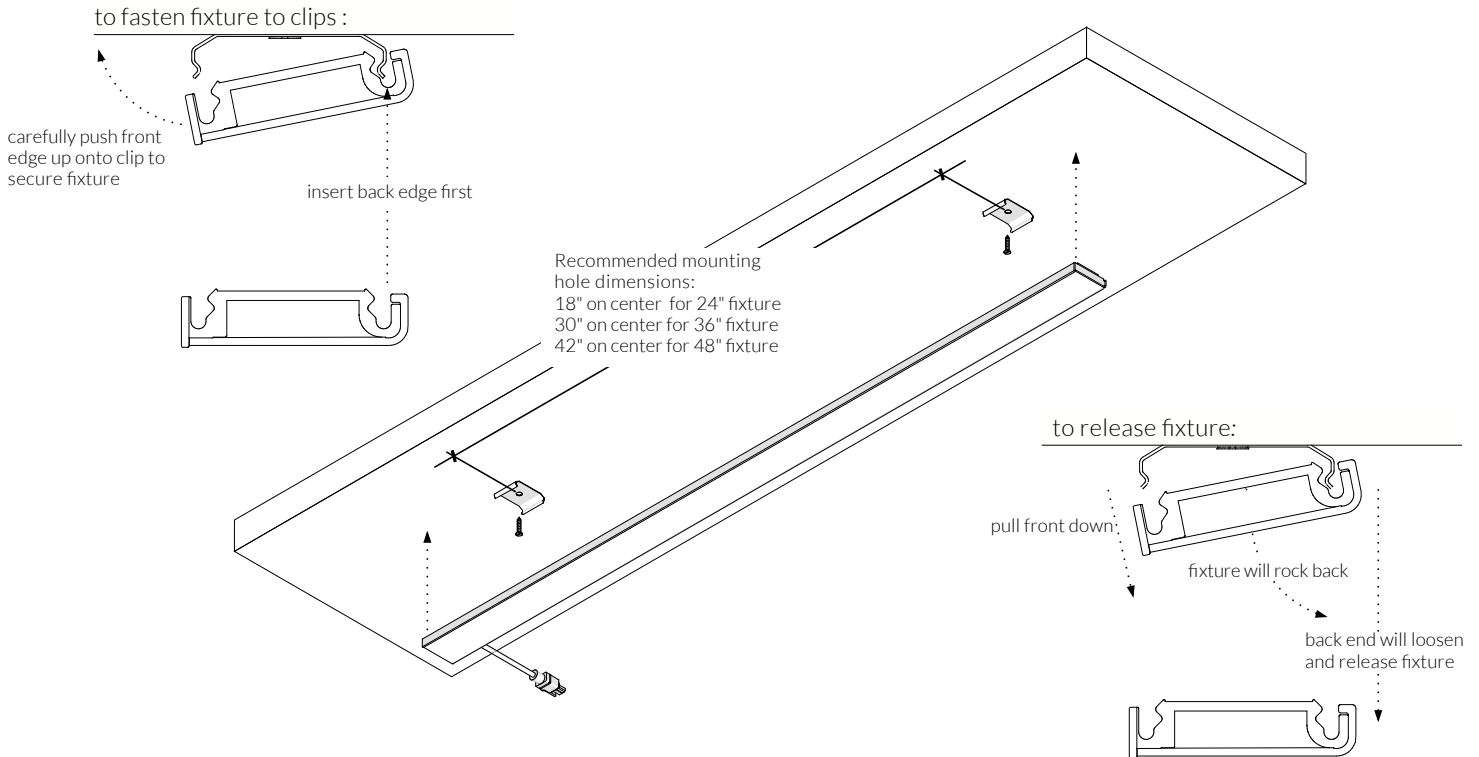
**Fixture Orientation**



**Clip Mount**

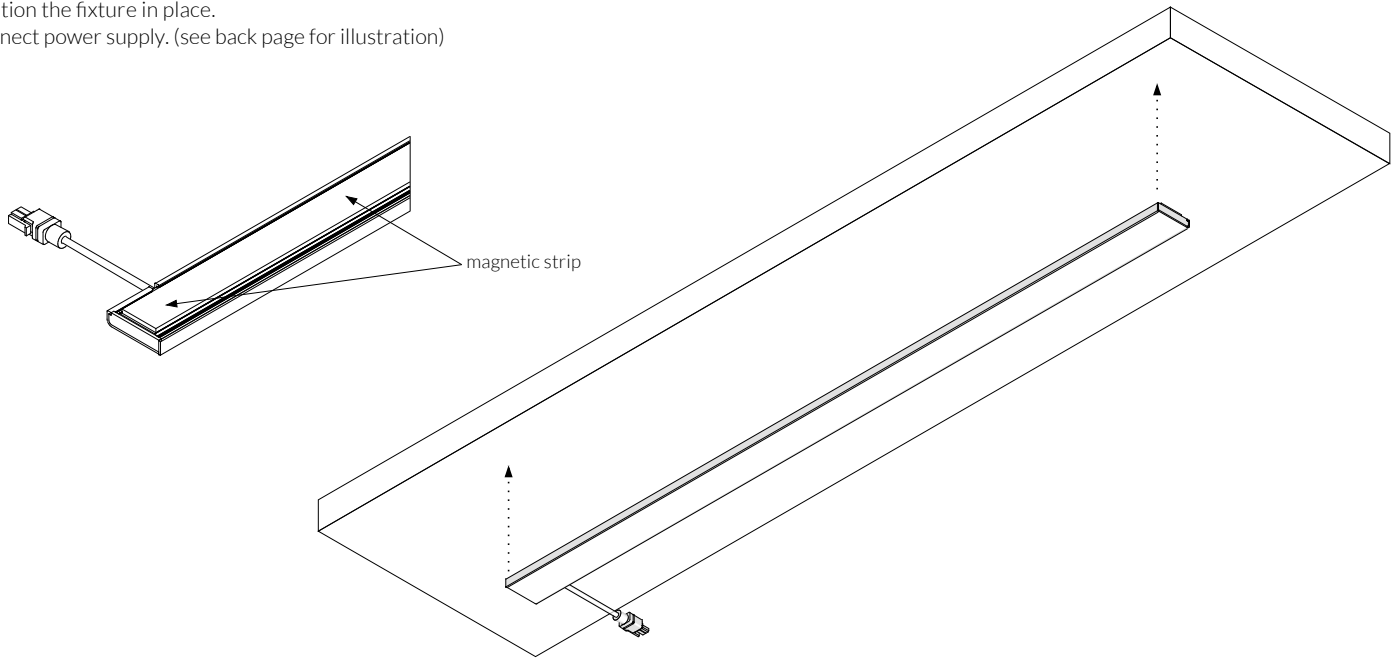
1. Two clips are provided with each fixture. Vode recommends clips are positioned 3" (76mm) from each end of the fixture. Mount clips with 5/8" phillips flat head screws provided.
2. Insert back edge of fixture to installed clips, then carefully snap front edge onto clips. Check that fixture is securely mounted.
3. Connect power supply. (see back page for illustration)
4. To remove fixture first pull front facing edge allowing back edge to rotate off the clip.

*CAUTION: Do not pull straight down as this may damage the fixture.*



### Magnet Mount

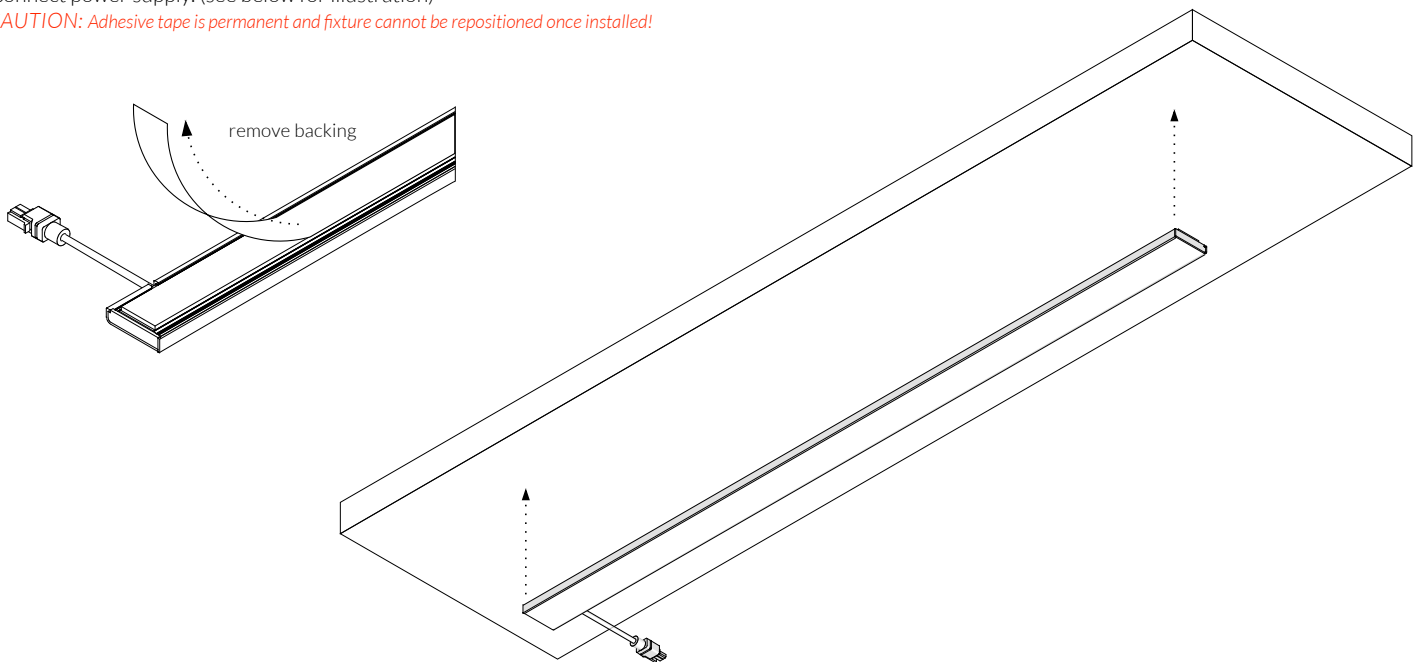
1. Ensure mounting surface is clean, dry and flat. Surface must be steel, or a ferrous metal.
2. Position the fixture in place.
3. Connect power supply. (see back page for illustration)



### Double-Face Tape Mount

1. Ensure mounting surface is clean, dry and flat.
2. Remove backing from adhesive tape.
3. Carefully position fixture and press firmly in place.
4. Connect power supply. (see below for illustration)

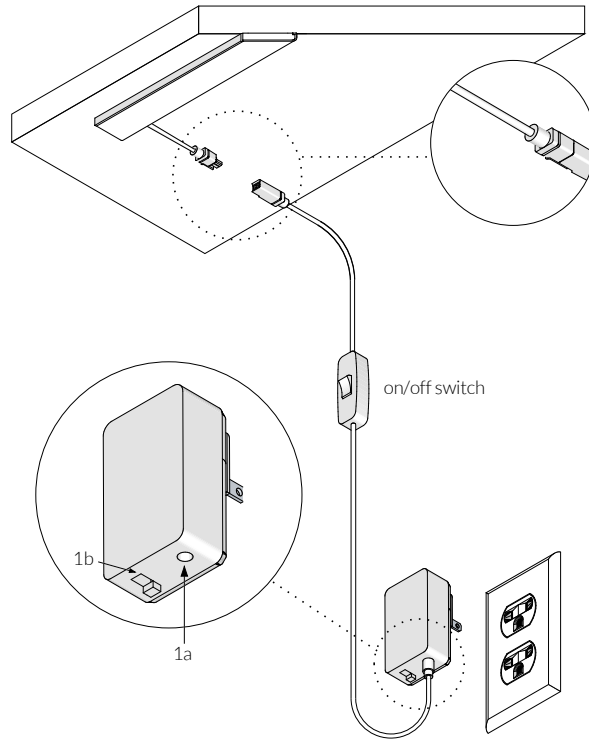
*CAUTION: Adhesive tape is permanent and fixture cannot be repositioned once installed!*





### Wall Plug Power Supply

1. Once fixture is installed, connect the power supply with cord provided.
  - a. Plug cord into power supply
  - b. Check that switch on power supply is in correct position, as illustrated.
2. Plug-in power supply to local receptacle.
3. 2 wire management clips are provided. Install clips where desired and push cord into clip.
4. Use the on/off switch on cord to power the fixture.



### Remote Power Supply

1. Install power supply housing with screws provided.
- LINE VOLTAGE:
2. Connect the ground to the green lead from the driver housing.
  3. Connect the common to the white lead.
  4. Connect the line to the black lead.
- LOW VOLTAGE:
5. If necessary, install conduit per local building code. Vode wire harness provided is plenum rated.
  6. Run Vode wire harness to fixture and make connection at fixture.
  7. Connect Vode wire harness to power supply.

