

Micro J-Box | Remote Power

ZipTwo[®] | 707

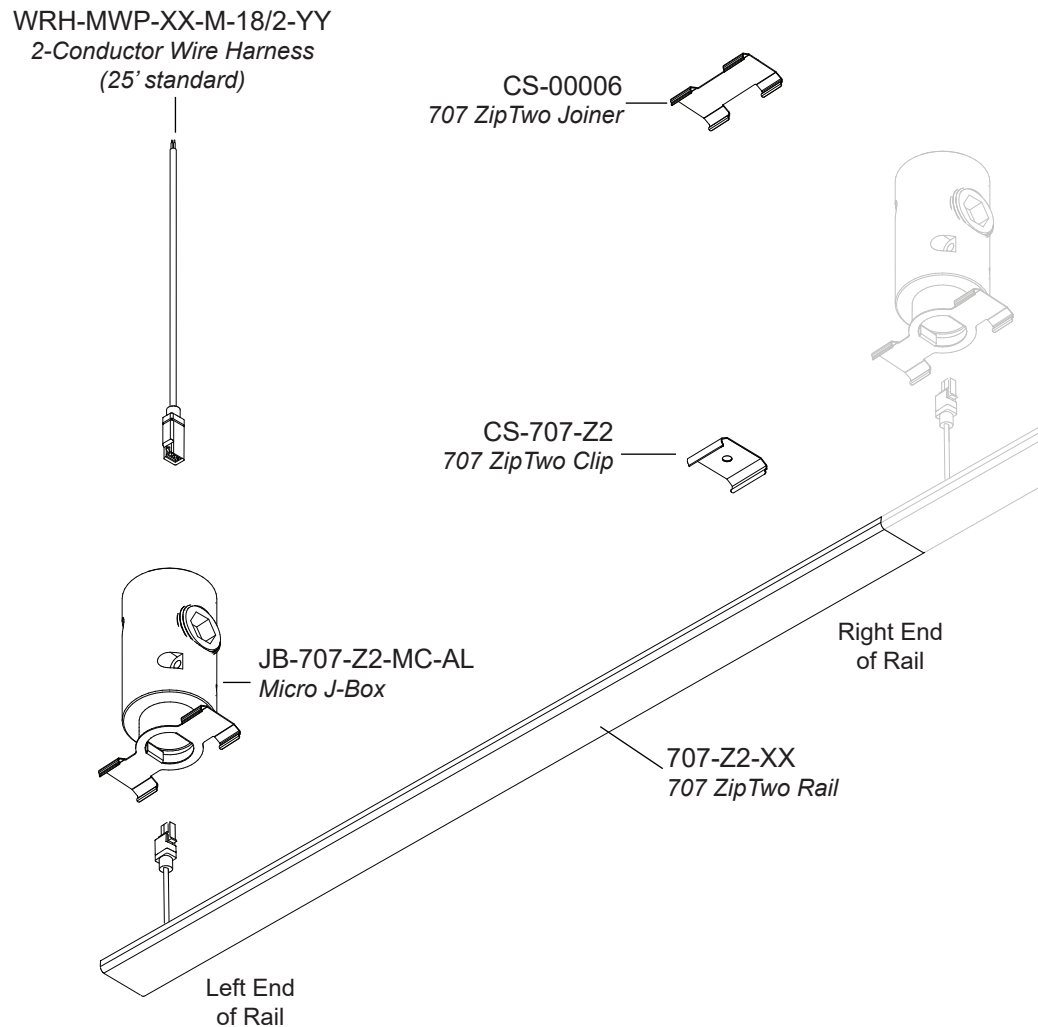
Please read instructions in their entirety before proceeding with any part of the installation. This product must be installed in accordance with the applicable installation code by a person familiar with the construction and operation of the product and the hazards involved. Consult a qualified electrician to ensure correct branch circuit rating. To prevent electric shock, disconnect all power before installing or servicing product. Rated for use in dry and damp locations only. Retain instructions for future reference.

Technical Support: 707-996-9898 or technicalsupport@vode.com

Installed View

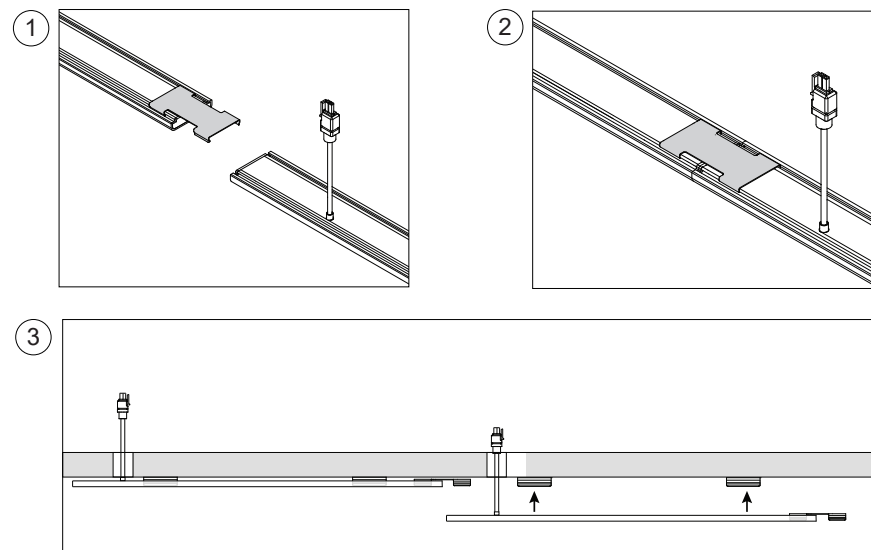


Parts Diagram



ZipTwo Joiner

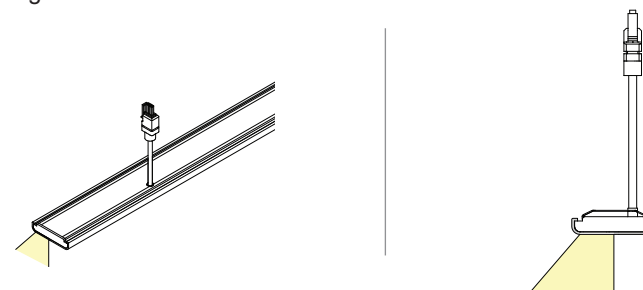
A Joiner clip is provided to align rails for a continuous ZipTwo system. Install Joiner clips to rails before mounting rails to the mounting clips.



Fixture Orientation

Power feed comes out the bottom of the fixture (as shown) and is located 3" (76 mm) in from the end of the fixture.

NOTE: For 85° optics, power feed is located on the left side of the fixture, when facing the illuminated surface.



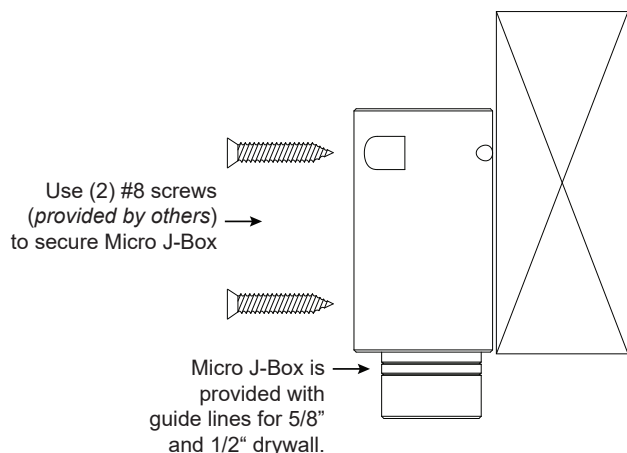
Installation Instructions

① Install Micro J-Box

Accurate placement and alignment of Micro J-Box is very important. It is not adjustable once installed. Micro J-Box has guide lines for 5/8" and 1/2" drywall.

J-box location is always 3" on-center from the end of the fixture, unless otherwise specified. Install one Micro J-Box per fixture.

NOTE: Be careful with fixture orientation for the 85° Asymmetric ZipTwo Fixture. For 85° optics, power feed is located on the left side of the fixture, when facing the illuminated surface. See *page 2* for more information.



② Install Remote Power Supply

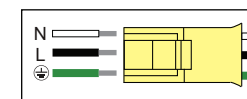
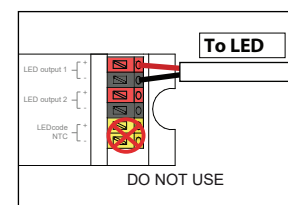
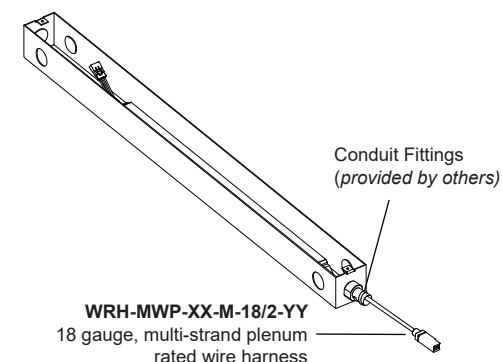
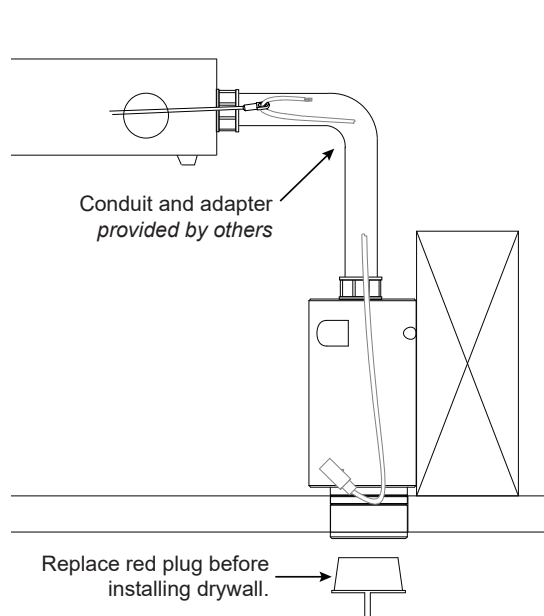
Install power supply housing to desired surface using screws (provided by others). Run line voltage wiring into power housing through knockout and secure with 1/2" NPT fitting. Ground housing by connecting ground/earth to green slot in the quick-connect. Connect common/neutral to white slot in quick connect and line/hot to black slot in quick disconnect. Feed low voltage wire harness into remote power housing. Connect wire harness to power supply using Red (+) and Black (-) leads. Leave approximately 1" of wire harness hanging out of Micro J-Box or other hole.

DO NOT power on system until the installation is complete.

NOTE: For 96" fixtures, the driver is programmed differently from 24"-72" rails. Pay attention to installations that mix rail lengths.

For remote power supply maximum distance or other wiring questions, please consult Vode Driver Guide. Run conduit from remote power supply to Micro J-Box, if required. Micro J-Box has two 3/4" female NPT holes for conduit fittings (provided by others).

Remove the provided red plug and feed low voltage wire harness through Micro J-Box and conduit into remote power housing, leaving enough for approximately 1" of wire harness to be hanging out of Micro J-Box. Coil the wire hanging connector back into the Micro J-Box and replace the red plug.



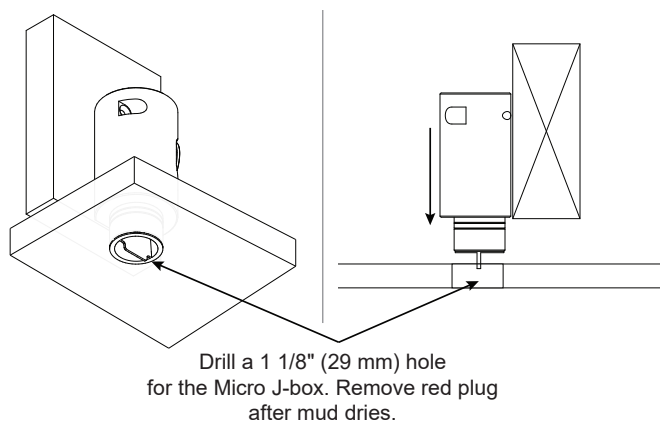
Line Voltage Connection
Quick connect provided for line voltage connection

Example Only
See Vode Driver Guide for wiring detail.

Installation Instructions

③ Install Drywall

Install drywall, using a 1-1/8" hole for Micro J-Box opening. Mud to edge of opening as necessary and remove red plug when dry.

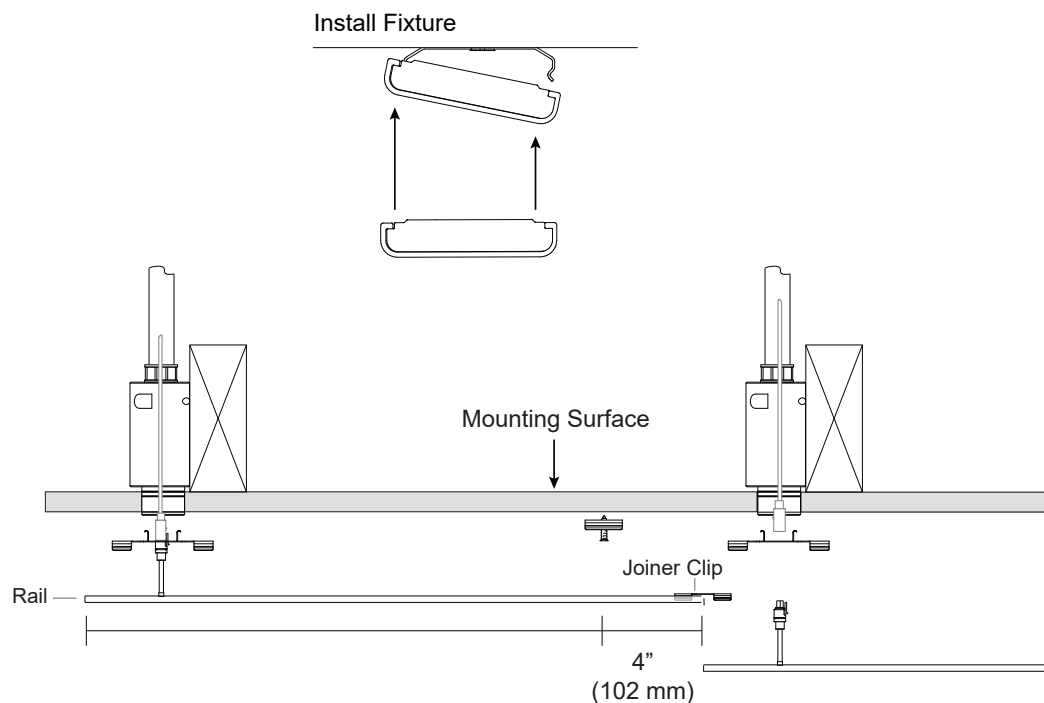


④ Install Clips and Fixture

Install clips using provided 5/8" screws. Fixtures will be supplied with two clips for rails under 48", four clips for rails 48" and over and six clips for 96" rails. Position one clip 4" (102mm) from the end of the fixture opposite from the Micro J-box and evenly space the remaining clip(s).

Run fixture cable through Micro J-Box fixture clip and connect fixture wire harness to power wire harness. Insert Micro J-Box fixture clip flanges into Micro J-Box so it is flush with drywall surface. Insert fixture onto installed clips by inserting back edge of fixture to installed clips, then carefully snapping front edge on. For multi-rail systems, see ZipTwo Joiner instructions, [page 2](#).

NOTE: Be careful with fixture orientation for the 85° Asymmetric ZipTwo Fixture. For 85° optics, power feed is located on the left side of the fixture, when facing the illuminated surface. See [page 2](#) for more information.



Appendix

Trouble Shooting Guide

My fixture will not turn on:

Check all wiring is correct and all connections are fastened properly.

If all wiring is correct, remove fixture and connect it to a known working driver. If the fixture lights up, then the problem is with the installed driver or wiring:

- 1) Check line voltage to driver is present.
- 2) Check driver wiring (see **Vode Driver Guide for details**) and check wiring to fixture.
- 3) Check driver and dimming system are compatible (see **Vode Dimmer Guide and the dimmer manufacturer's website**).

If fixture still doesn't light up, check that all dimming wires are installed correctly. Reversed polarity on any driver will cause the entire system to not work, (see **Vode Driver Guide for wiring details**).

The fixture is not dimming properly:

Check all wiring is correct and all connections are fastened properly.

Check driver wiring (see **Vode Driver Guide for details**). Make sure driver is compatible with dimming controls (see **Vode Dimmer Guide and the dimmer manufacturer's website**).

For any help with operation or technical information, contact Vode Tech Service at 707-996-9898 or technicalsupport@vode.com.

Important Notes

- Listed to UL standards for damp location by a Nationally Recognized Testing Laboratory (NRTL) recognized by OSHA
- Operating Temperature: 32°F to 104°F (0°C to 40°C).
- Input Voltage: 120v - 277v, 50/60hz.
- Power Type: Class 2 (<60v) constant current driver.
- Dimming curve is factory preset to linear. Logarithmic is available upon request. See Vode Driver Guide for specific details and wiring diagram.
- Unless specified, one driver per rail will be supplied.
- 5 Year Limited Warranty. All material and component parts manufactured by Vode are guaranteed to be free from defects of material and/or workmanship for a period of 5 years from date of sale. Product must be installed according to Vode installation instructions and accepted trade practices. Power supplies and other auxiliary equipment is not covered under Vode warranty but may be covered by separate OEM warranty.

Remote Driver Distance

Note: All Vode remote drivers come in a 1/16" (0.8mm) formed steel, zinc chromate plated power supply housing with six (6) knockouts for 1/2" NPT fittings. Power supply housing dimensions: 1.9" (48 mm) x 2.1" (53 mm) x 24.5" (622 mm)

Driver	Remote Distance
eldoLED	72' (21.9 m)
Philips	32' (9.8 m)
OSRAM	16' (4.88 m)
Magnitude	16' (4.88 m)
Lutron	Zipper board: Standard / Low Output: 30' (9.14 m) , High Output: 15' (4.57 m) Button board: Standard / Low Output: 15' (4.57 m) High Output: 10' (3.05 m)

For other wiring questions, see **Vode Driver Guide**.