

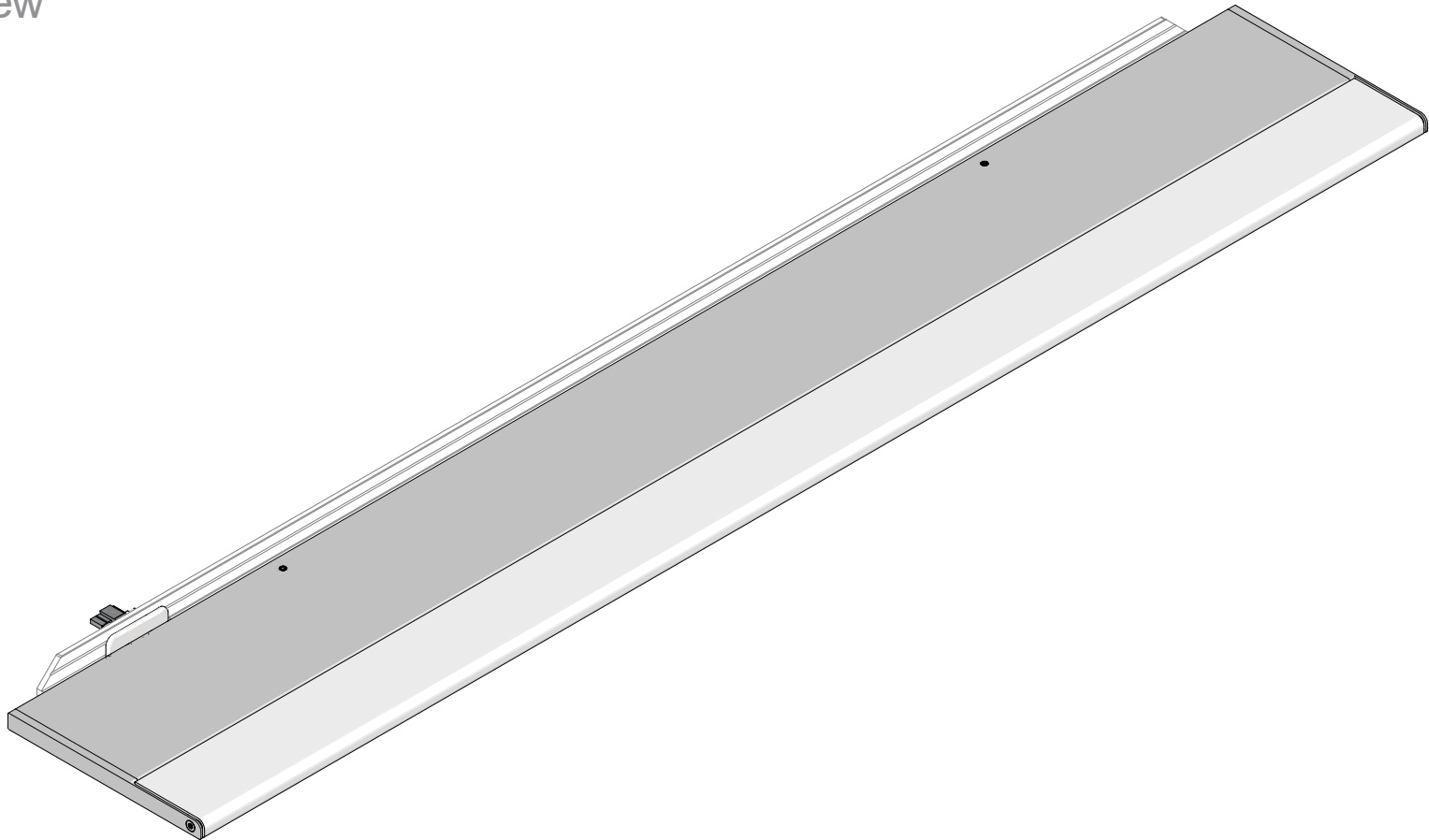
Surface Mount | Remote Power

ZipThree[®] | 707

Please read instructions in their entirety before proceeding with any part of the installation. This product must be installed in accordance with the applicable installation code by a person familiar with the construction and operation of the product and the hazards involved. Consult a qualified electrician to ensure correct branch circuit rating. To prevent electric shock, disconnect all power before installing or servicing product. Rated for use in dry and damp locations only. Retain instructions for future reference.

Technical Support: 707-996-9898 or technicalsupport@vode.com

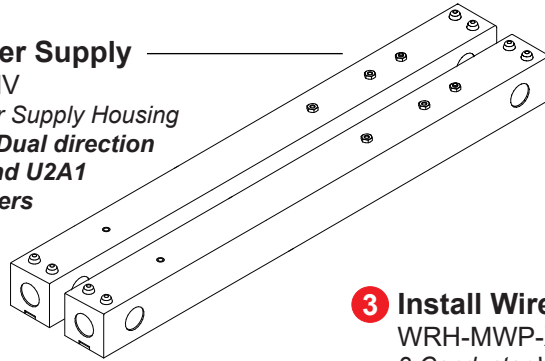
Installed View



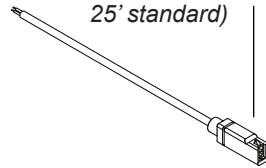
Parts Diagram

3 Install Power Supply

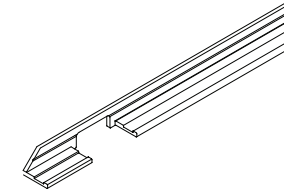
RLP-XX...UNV
Remote Power Supply Housing
(NOTE: Only Dual direction rails, U1A1 and U2A1 require 2 drivers per rail)

**3 Install Wire Harness**

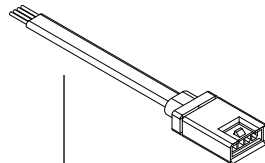
WRH-MWP-XX-M-18/2-WJ
2-Conductor Wire Harness
(Supplied with:
U1 - Symmetric, uplight only
U2 - Symmetric with EdgeGlow, uplight only
A1 - 85° Asymmetric, downlight only
25' standard)

**1 Align Bracket**

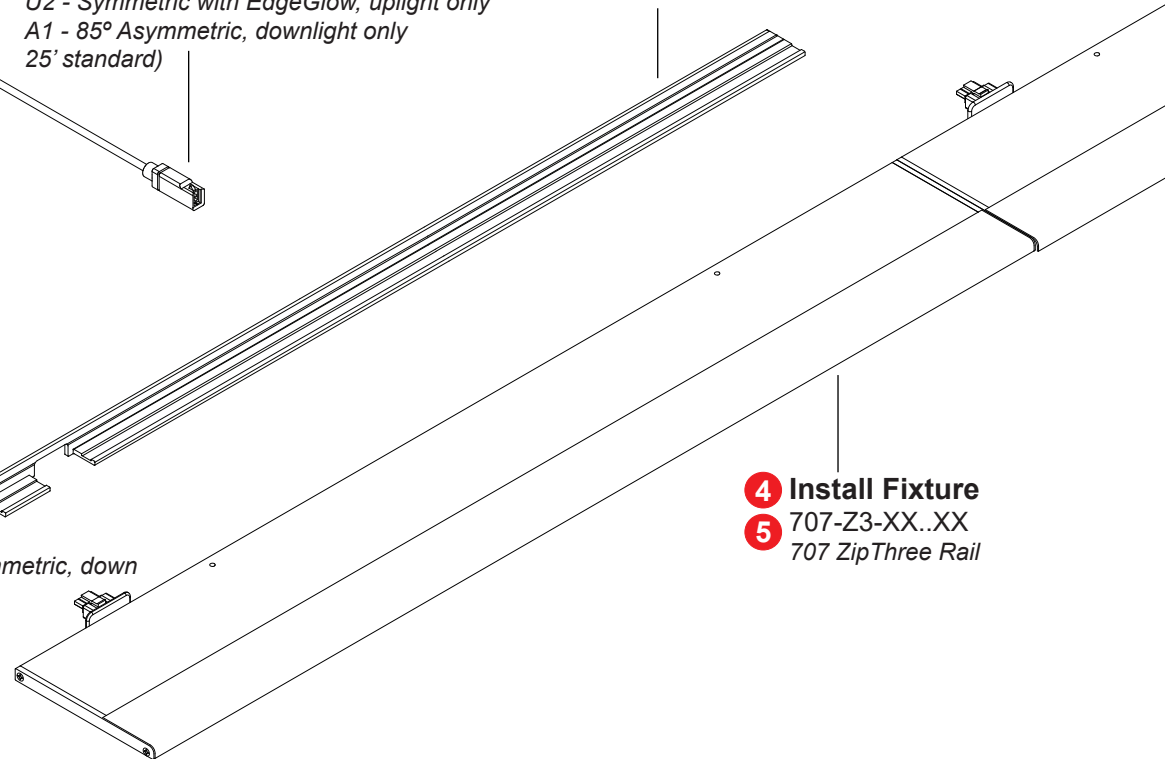
2 BK-707-Z3-S1-XX-YY
Surface Mount Bracket

**3 Install Wire Harness**

WRH-707-Z3-MWP-XX-18/4-WJ
4-Conductor Wire Harness
(Supplied with:
U1A1 - Symmetric, up | 85° Asymmetric, down
U2A1 - Symmetric with EdgeGlow, up | 85° Asymmetric, down
25' standard)

**4 Install Fixture**

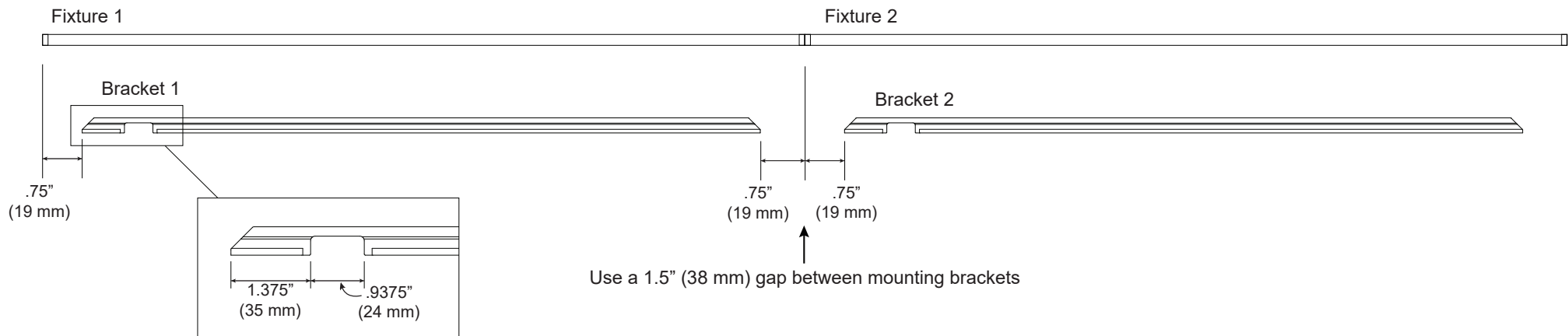
5 707-Z3-XX..XX
707 ZipThree Rail



Installation Instructions

1 Alignment of Bracket

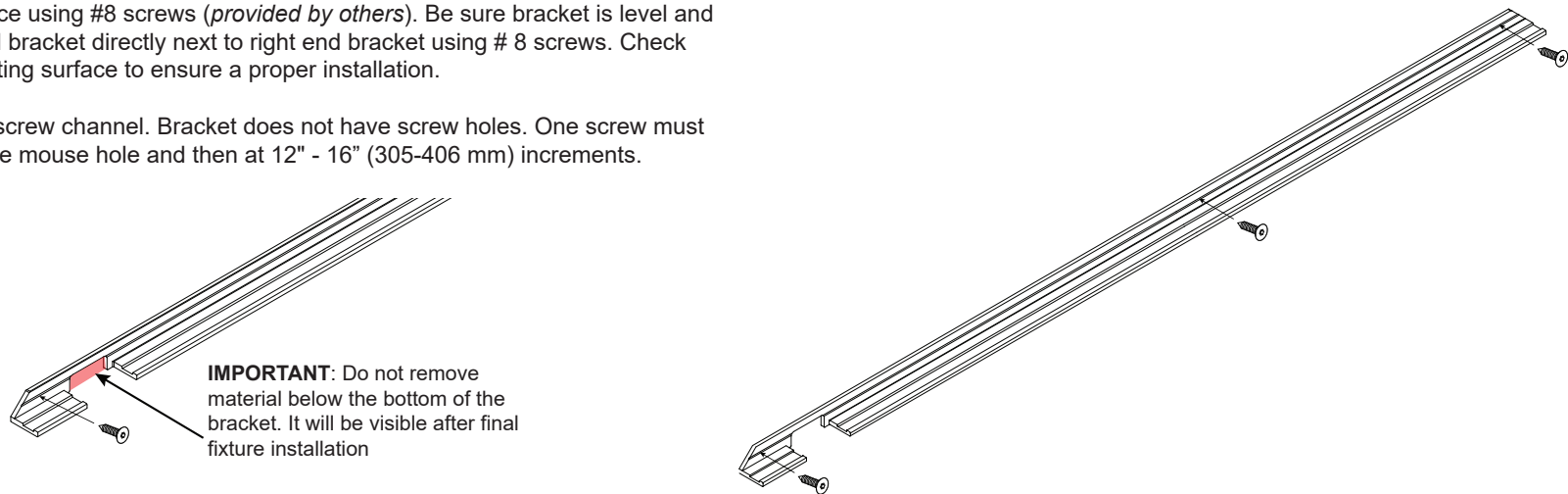
Accurate placement and alignment of the Surface Mount Bracket is very important. Vode recommends installer pay close attention to the levelness of mounting plane. Use the left end bracket (*bracket end with mouse hole opening*) to properly align bracket and fixture placement. Right end bracket will be mounted directly next to the left end bracket. Mounting bracket should be inset 3/4" (19 mm) from desired fixture location. For multi-rail systems there should be a 1.5" (38 mm) gap between mounting brackets.



2 Install Bracket to Wall

Use mounting bracket to trace outline of mouse hole and carefully remove material. Secure left end bracket to wall surface using #8 screws (*provided by others*). Be sure bracket is level and flush. Secure the left end bracket directly next to right end bracket using # 8 screws. Check levelness of entire mounting surface to ensure a proper installation.

NOTE: Install screws in screw channel. Bracket does not have screw holes. One screw must be placed to the left of the mouse hole and then at 12" - 16" (305-406 mm) increments.



Installation Instructions

3 Install Wire Harness and Remote Power Supply

Feed provided wire harness through mouse hole. Leave approximately 1" (25 mm) hanging out of the wall.

Install power supply housing to desired surface with screws, provided by others. Dual direction rails require two driver per rail and single direction rails require one driver per rail. Ground all housings using provided green/yellow lead. Housing should be mounted in an area that is fully accessible after installation.

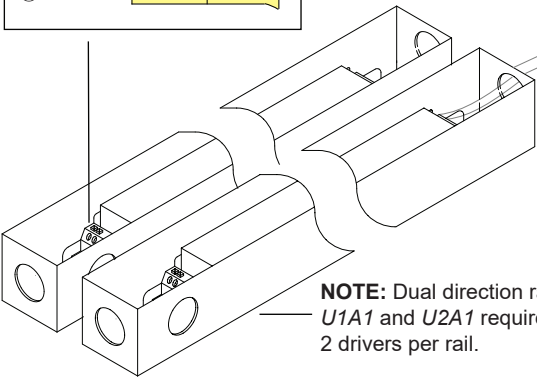
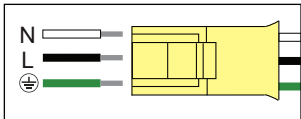
Bring power into system by connecting ground/earth to green slot in the quick disconnect, common/neutral to white slot in quick disconnect and line/hot to black slot in quick disconnect.

The Vode wire harness supplied is plenum rated. Insert flying leads end of the wire harness through opening in mounting surface and feed through to remote power housing. Connect wire harness to power supply using Red (+) and Black (-) leads. Do not power on system until the installation is complete.

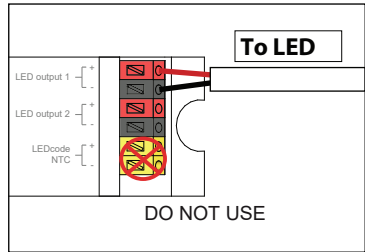
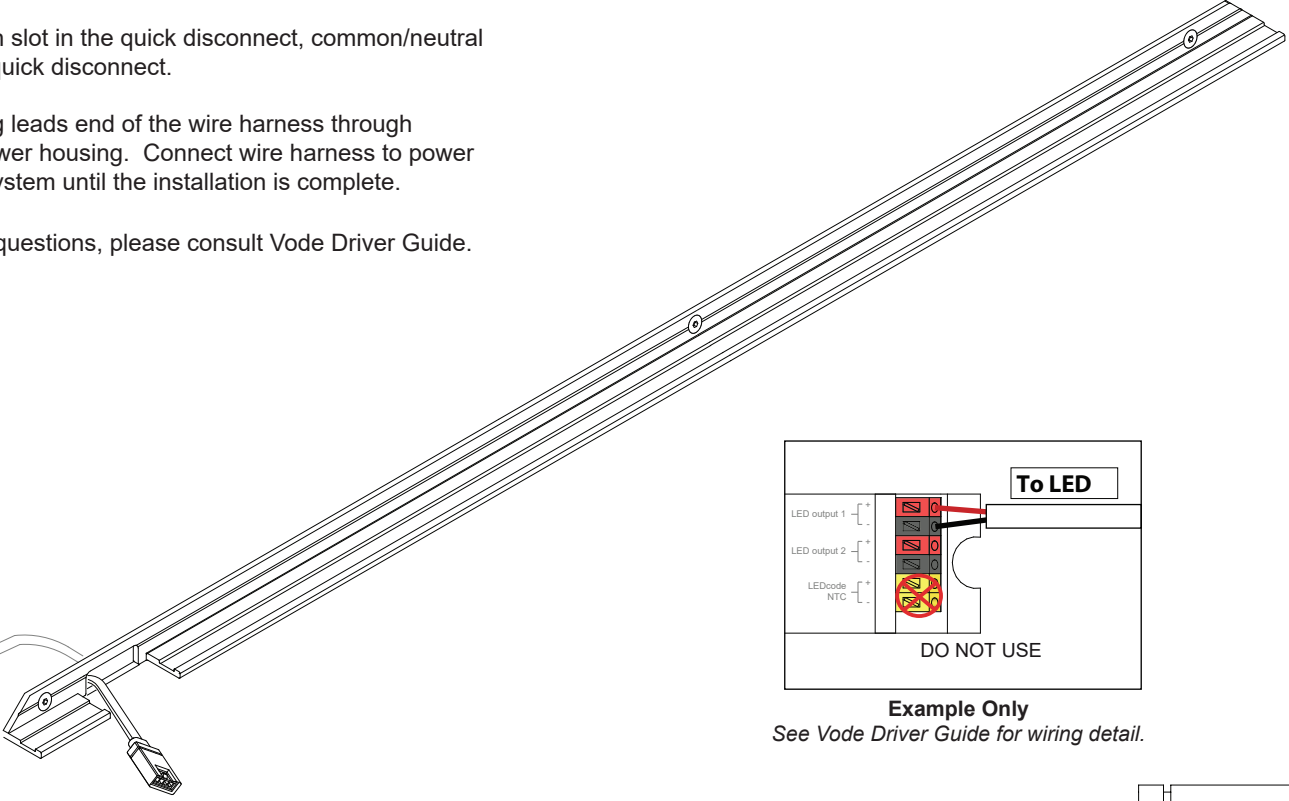
For remote power supply maximum distance or other wiring questions, please consult Vode Driver Guide.

Line Voltage Connection

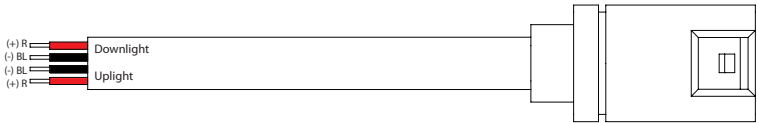
Quick connect provided for line voltage connection



NOTE: Dual direction rails, U1A1 and U2A1 require 2 drivers per rail.



Example Only
See Vode Driver Guide for wiring detail.



NOTE: For Dual-Direction rails, only 8" of flying lead is supplied pre-stripped to reach both drivers. Contractor may need to carefully strip off more of the outer covering.

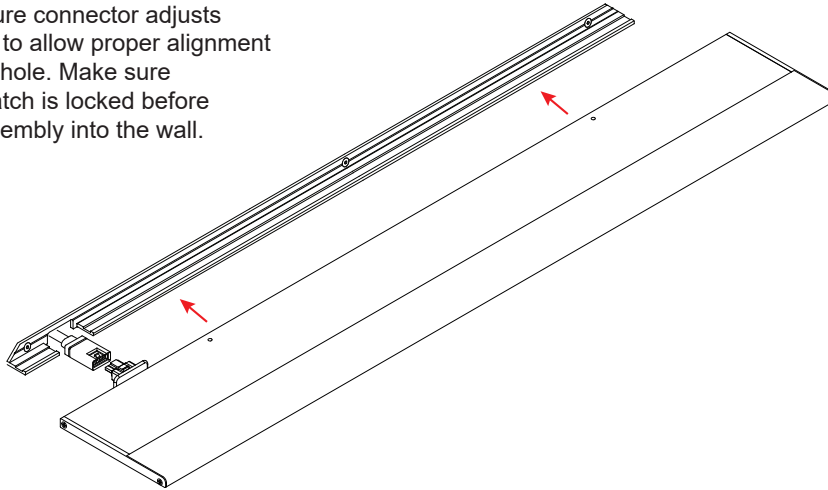
NOTE: For dual direction rails require two drivers per rail to power up and down separately.

Installation Instructions

4 Install Fixture

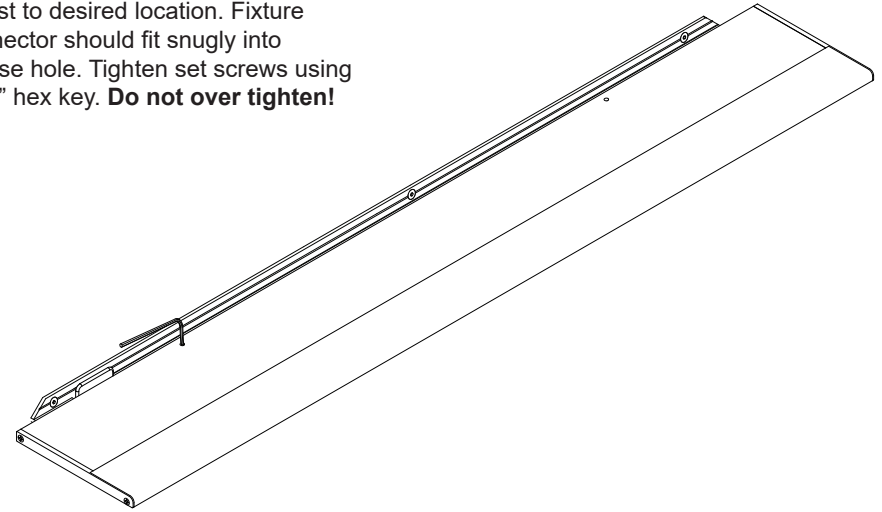
Connect wire harness to fixture connector.

NOTE: Fixture connector adjusts side-to-side to allow proper alignment with mouse hole. Make sure connector latch is locked before pushing assembly into the wall.



5 Finish Installation

Slide fixture over bracket flange and adjust to desired location. Fixture connector should fit snugly into mouse hole. Tighten set screws using 1/16" hex key. **Do not over tighten!**

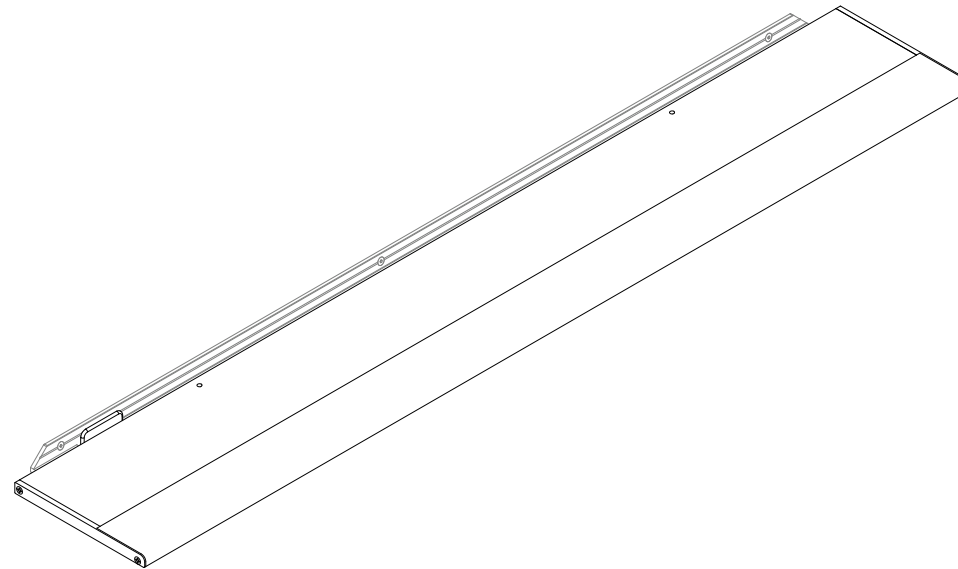


Installed Fixture:



NOTE: Mounted fixture will leave a 1/8" - 1/4" (3 mm - 6 mm) reveal from mounting surface.

If required by code for fixture not to protrude more than 4", installer must ensure that there is a maximum of a 1/8" reveal from mounting surface.



Appendix

Trouble Shooting Guide

My fixture will not turn on:

Check all wiring is correct and all connections are fastened properly.

If all wiring is correct, remove fixture and connect it to a known working driver.

If the fixture lights up, then the problem is with the installed driver or wiring:

- 1) Check line voltage to driver is present.
- 2) Check driver wiring (see **Vode Driver Guide for details**) and check wiring to fixture.
- 3) Check driver and dimming system are compatible (see **Vode Dimmer Guide and the dimmer manufacturer's website**).

If fixture still doesn't light up, check that all dimming wires are installed correctly. Reversed polarity on any driver will cause the entire system to not work, (see **Vode Driver Guide for wiring details**).

The fixture is not dimming properly:

Check all wiring is correct and all connections are fastened properly.

Check driver wiring (see **Vode Driver Guide for details**). Make sure driver is compatible with dimming controls (see **Vode Dimmer Guide and the dimmer manufacturer's website**).

For any help with operation or technical information, contact Vode Tech Service at 707-996-9898 or technicalsupport@vode.com.

Important Notes

- Listed to UL standards for damp location by a Nationally Recognized Testing Laboratory (NRTL) recognized by OSHA
- Operating Temperature: 32°F to 104°F (0°C to 40°C).
- Input Voltage: 120v - 277v, 50/60hz.
- Power Type: Class 2 (<60v) constant current driver.
- Dimming curve is factory preset to linear. Logarithmic is available upon request. See Vode Driver Guide for specific details and wiring diagram.
- Unless specified, one driver per rail will be supplied.
- 5 Year Limited Warranty. All material and component parts manufactured by Vode are guaranteed to be free from defects of material and/or workmanship for a period of 5 years from date of sale. Product must be installed according to Vode installation instructions and accepted trade practices. Power supplies and other auxiliary equipment are not covered under Vode warranty but may be covered by separate OEM warranty.

Remote Driver Distance

Note: All Vode remote drivers come in a 1/16" (0.8mm) formed steel, zinc chromate plated power supply housing with six (6) knockouts for 1/2" NPT fittings. Power supply housing dimensions: 1.9" (48 mm) x 2.1" (53 mm) x 24.5" (622 mm)

Driver	Remote Distance
eldoLED	72' (21.9 m)
Philips	32' (9.8 m)
OSRAM	16' (4.88 m)
Magnitude	16' (4.88 m)
Lutron	Zipper board: Standard / Low Output: 30' (9.14 m) , High Output: 15' (4.57 m) Button board: Standard / Low Output: 15' (4.57 m) High Output: 10' (3.05 m)

For other wiring questions, see **Vode Driver Guide**.