

Surface Mount | Remote Power

ZipOne[®] | 707

Please read instructions in their entirety before proceeding with any part of the installation. This product must be installed in accordance with the applicable installation code by a person familiar with the construction and operation of the product and the hazards involved. Consult a qualified electrician to ensure correct branch circuit rating. To prevent electric shock, disconnect all power before installing or servicing product. Rated for use in dry and damp locations only. Retain instructions for future reference.

Technical Support: 707-996-9898

Installed View

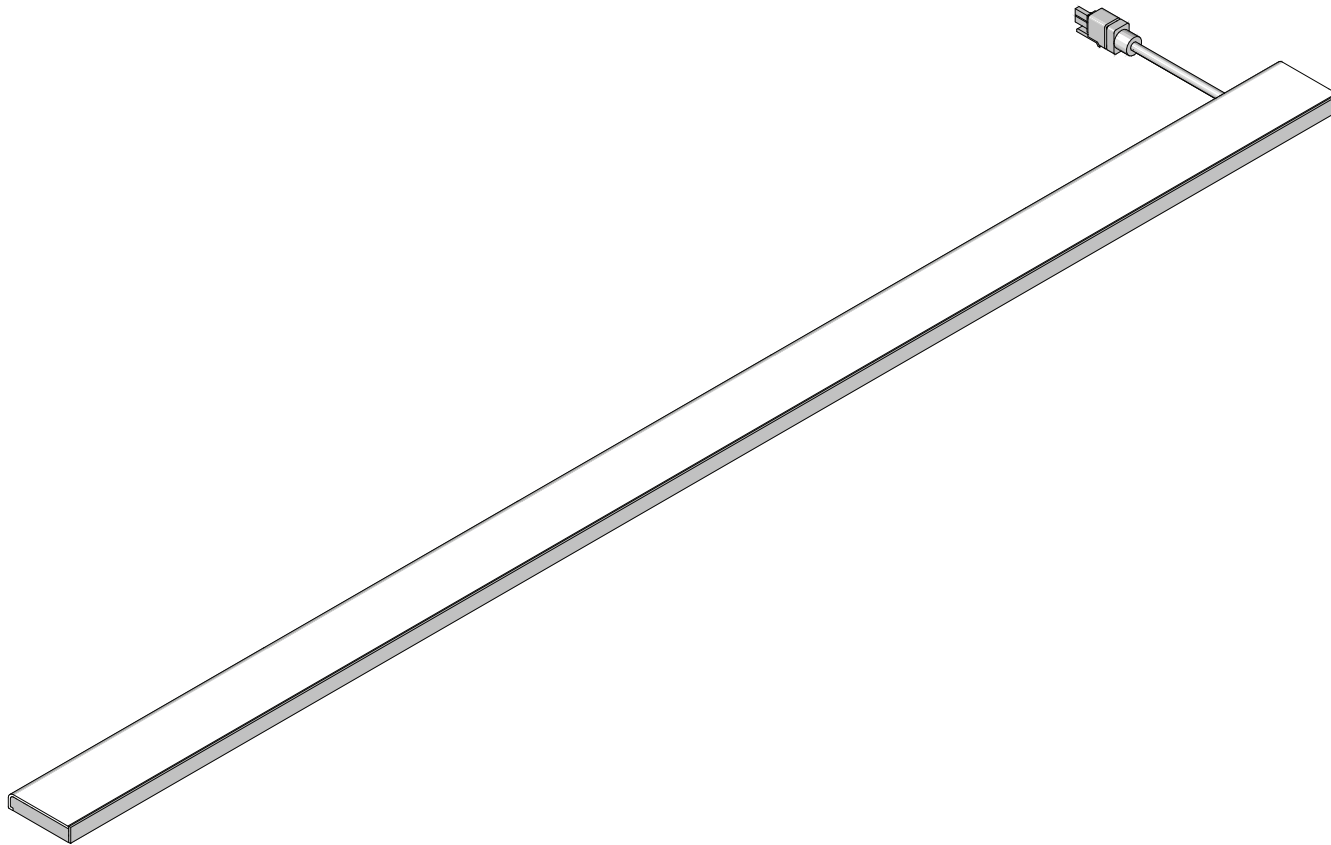
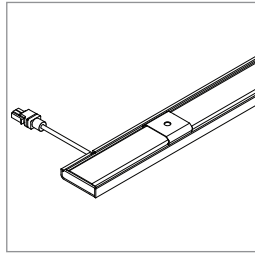
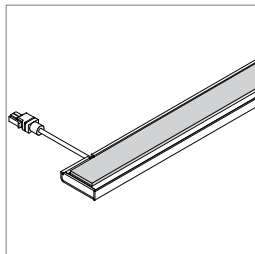


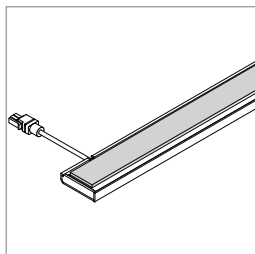
Table of Contents



Clip (C) - Page 4

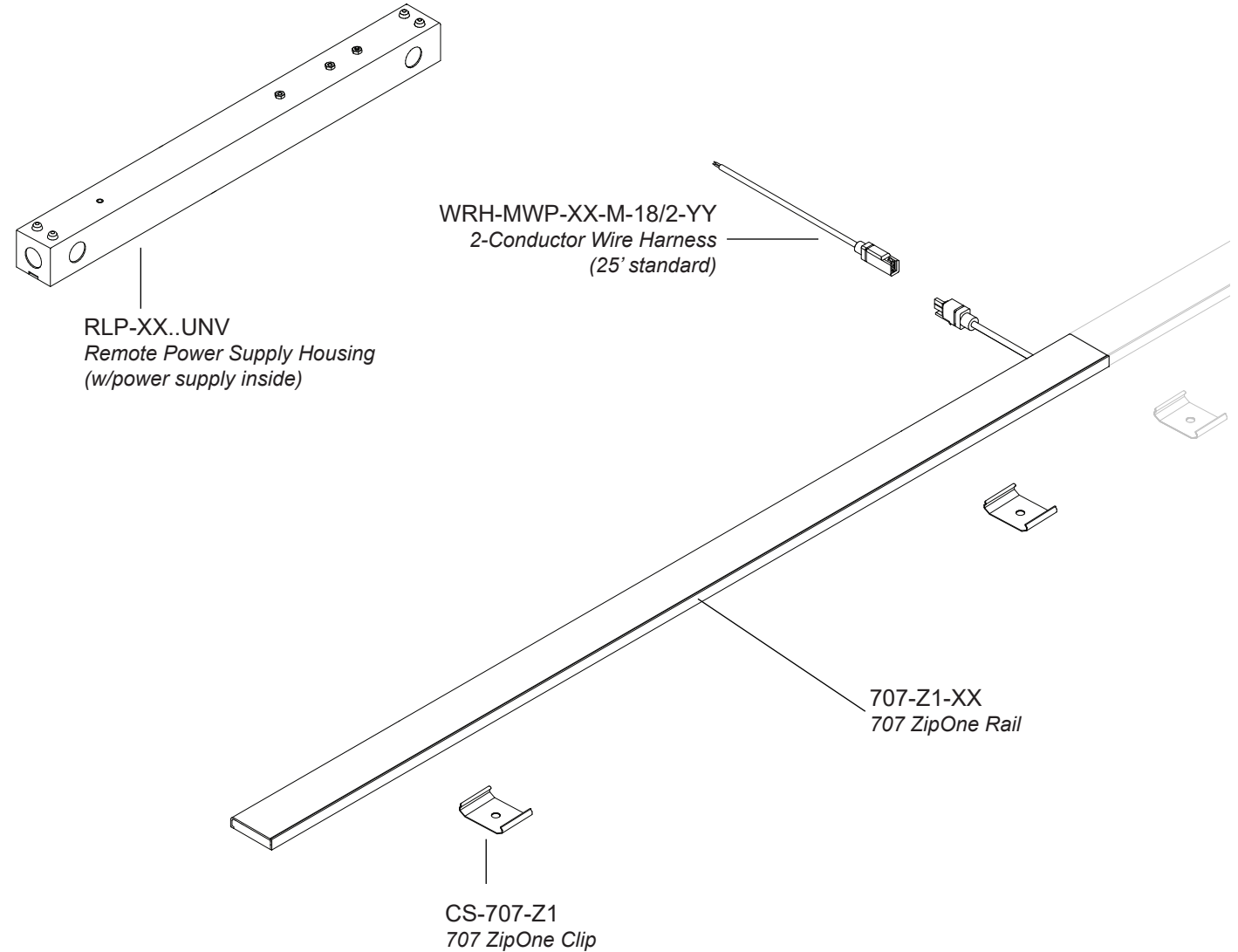


Magnet (M) - Page 5



Magnet with Tape-On Metal Strip (T) - Page 5

Parts Diagram



Installation Instructions

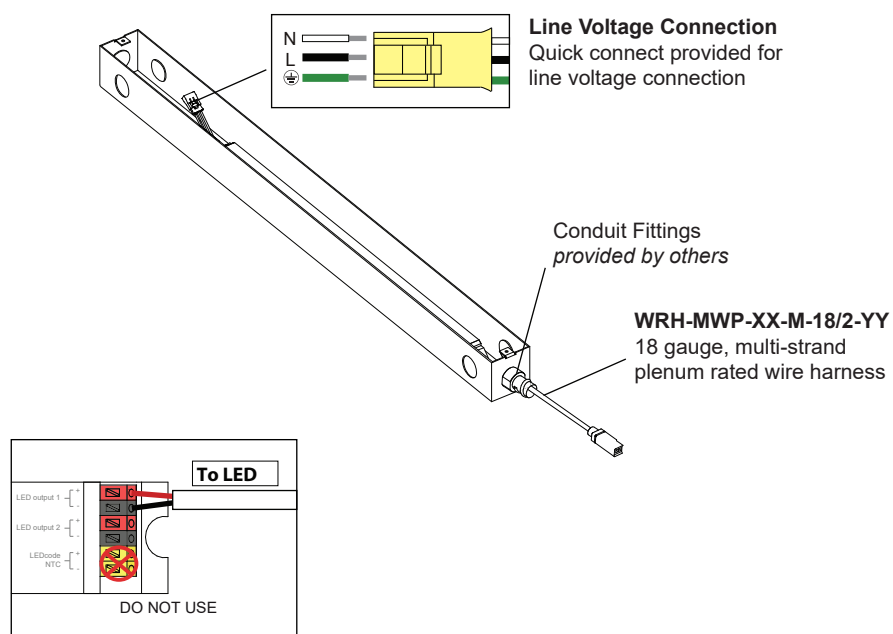
Install Remote Power Supply

Install power supply housing to desired surface using screws (*provided by others*). Run line voltage wiring into power housing through knockout and secure with 1/2" NPT fitting. Ground housing by connecting ground/earth to green slot in the quick-connect. Connect common/neutral to white slot in quick connect and line/hot to black slot in quick disconnect.

Feed low voltage wire harness into remote power housing. Connect wire harness to power supply using Red (+) and Black (-) leads. Leave approximately 1" of wire harness hanging out of Micro J-Box or other hole.

DO NOT power on system until the installation is complete.

For remote power supply maximum distance or other wiring questions, please consult Vode Driver Guide.



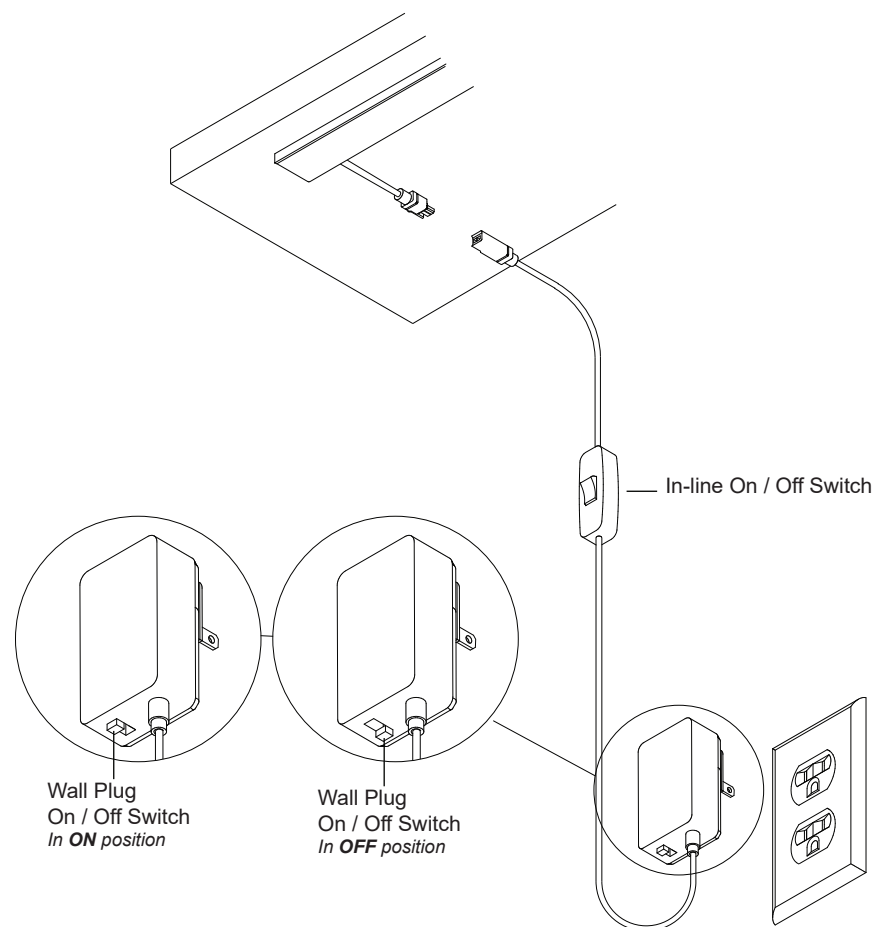
Example Only
See Vode Driver Guide for wiring detail.

Install Wall Plug Power Supply

Once fixture is installed, connect the power supply with cord provided. Plug-in power supply to local receptacle and power ON system.

Check that BOTH power switches are in the correct position, as illustrated below.

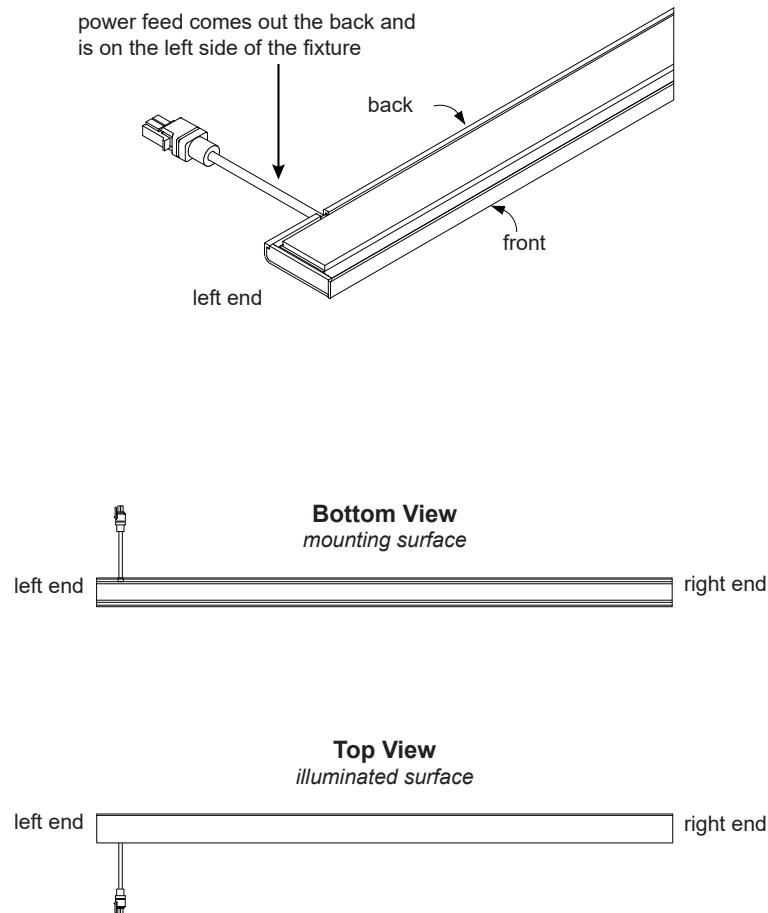
For ease of installation, two wire management clips are provided. Install clips where desired and push cord into clip.



Installation Instructions

Fixture Orientation

Power feed comes out the side of the fixture (*as shown*) and is located 1" (25 mm) in from the end of the fixture.



Clip (C)

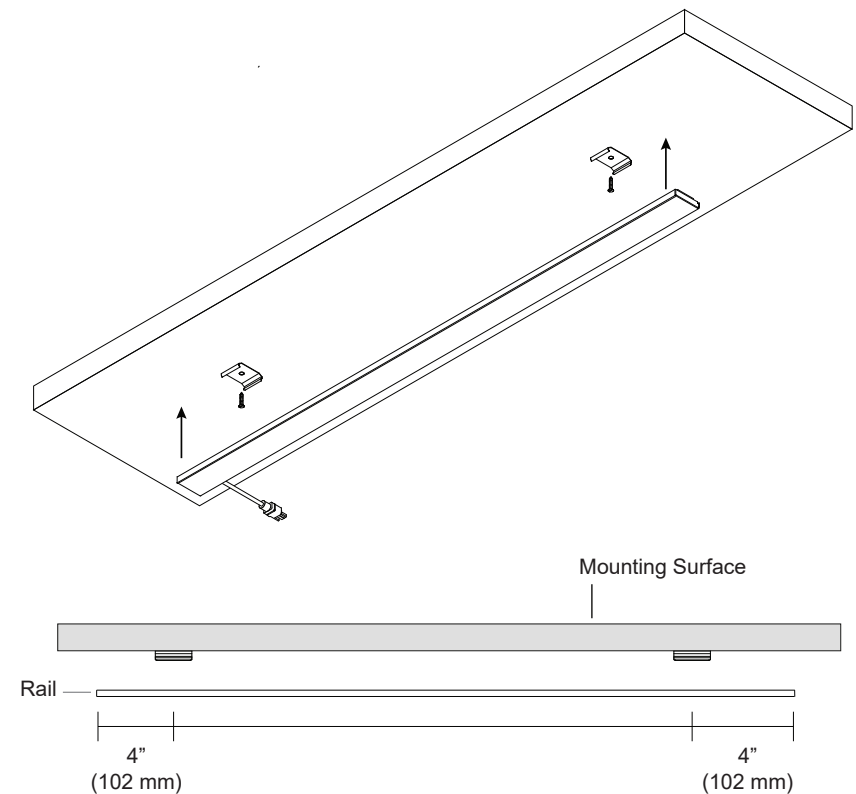
Vode supplies 1 clip per 12" of fixture length. Position two clips 4" (102mm) from each end of the fixture and evenly space the remaining clips.

Install clips with 5/8" Phillips flat head screws provided. Alignment of clips is essential as there is no side to side adjustability of the rail once clips are installed.

Insert back edge of fixture to installed clips, then carefully snap front edge onto clips. Check that fixture is securely mounted. Connect power supply. For any wiring questions, please consult the Vode Driver Guide.

To remove fixture, first pull front facing edge allowing back edge to rotate off the clip.

CAUTION: Do not pull straight down as this may damage the fixture.



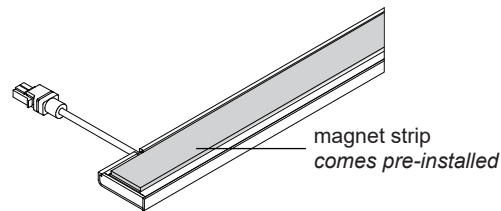
Installation Instructions

Magnet Mount (M)

Surface must be steel or other ferrous material. Ensure surface is clean, dry and flat.

Install driver and wiring per instructions, *page 3*.

Connect fixture wire harness to power wire harness, then place fixture onto surface.

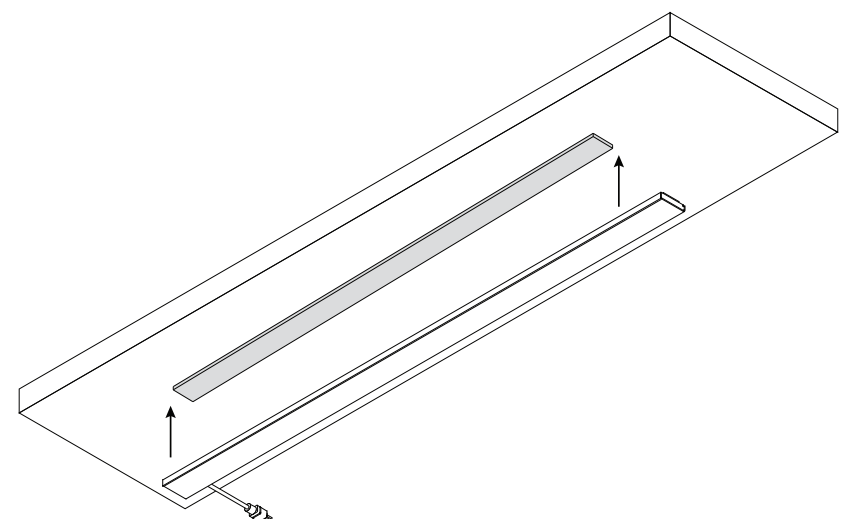
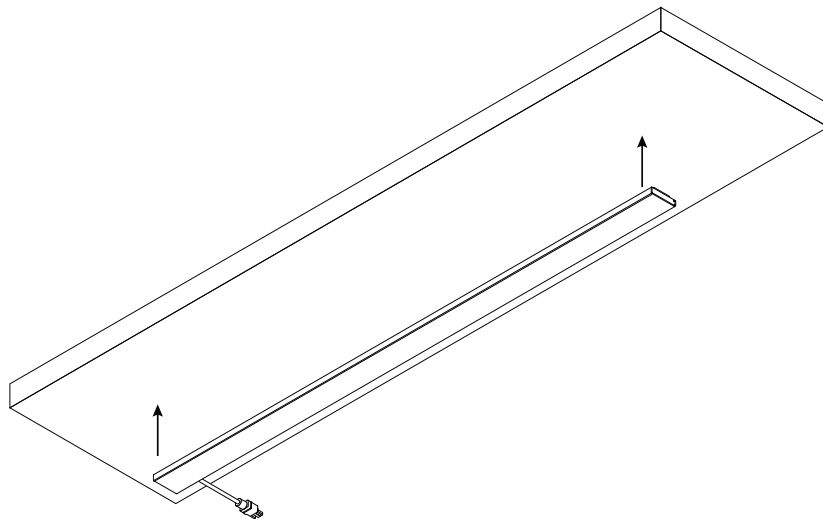
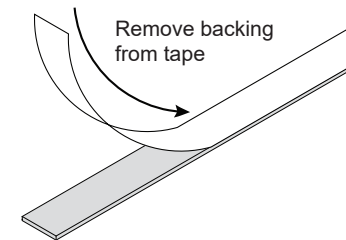


Magnet with Tape-On Metal Strip (T)

Surface must be clean, dry and flat.

Install driver and wiring per instructions, *page 3*.

Remove tape-on metal strip backing and carefully apply to the desired surface. Once alignment is exactly as desired, press firmly along the length of the strip to ensure it properly secured. Connect fixture wire harness to power wire harness.



Appendix

Trouble Shooting Guide

My fixture will not turn on:

Check all wiring is correct and all connections are fastened properly.

If all wiring is correct, remove fixture and connect it to a known working driver.

If the fixture lights up, then the problem is with the installed driver or wiring:

- 1) Check line voltage to driver is present.
- 2) Check driver wiring (see **Vode Driver Guide for details**) and check wiring to fixture.
- 3) Check driver and dimming system are compatible (see **Vode Dimmer Guide and the dimmer manufacturer's website**).

If fixture still doesn't light up, check that all dimming wires are installed correctly. Reversed polarity on any driver will cause the entire system to not work, (see **Vode Driver Guide for wiring details**).

The fixture is not dimming properly:

Check all wiring is correct and all connections are fastened properly.

Check driver wiring (see **Vode Driver Guide for details**). Make sure driver is compatible with dimming controls (see **Vode Dimmer Guide and the dimmer manufacturer's website**).

For any help with installation or technical information, contact Vode Tech Service at 707-996-9898.

Important Notes

- Listed to UL standards for damp location by a Nationally Recognized Testing Laboratory (NRTL) recognized by OSHA
- Operating Temperature: 32°F to 104°F (0°C to 40°C).
- Input Voltage: 120v - 277v, 50/60hz.
- Power Type: Class 2 (<60v) constant current driver.
- Dimming curve is factory preset to linear. Logarithmic is available upon request. See Vode Driver Guide for specific details and wiring diagram.
- Unless specified, one driver per rail will be supplied.
- 5 Year Limited Warranty. All material and component parts manufactured by Vode are guaranteed to be free from defects of material and/or workmanship for a period of 5 years from date of sale. Product must be installed according to Vode installation instructions and accepted trade practices. Power supplies and other auxiliary equipment is not covered under Vode warranty but may be covered by separate OEM warranty.

Remote Driver Distance

Note: All Vode remote drivers come in a 1/16" (0.8mm) formed steel, zinc chromate plated power supply housing with six (6) knockouts for 1/2" NPT fittings. Power supply housing dimensions: 1.9" (48.3 mm) x 1.9" (48.3 mm) x 24.5" (622.3 mm)

Driver	Remote Distance
EldoLED	72' (21.9 m)
Philips	32' (9.8 m)
OSRAM	16' (4.88 m)
Lutron	Zipper board: Standard / Low Output: 30' (9.14 m) , High Output: 15' (4.57 m) Button board: Standard / Low Output: 15' (4.57 m) High Output: 10' (3.05 m)

For other wiring questions, see **Vode Driver Guide**.