

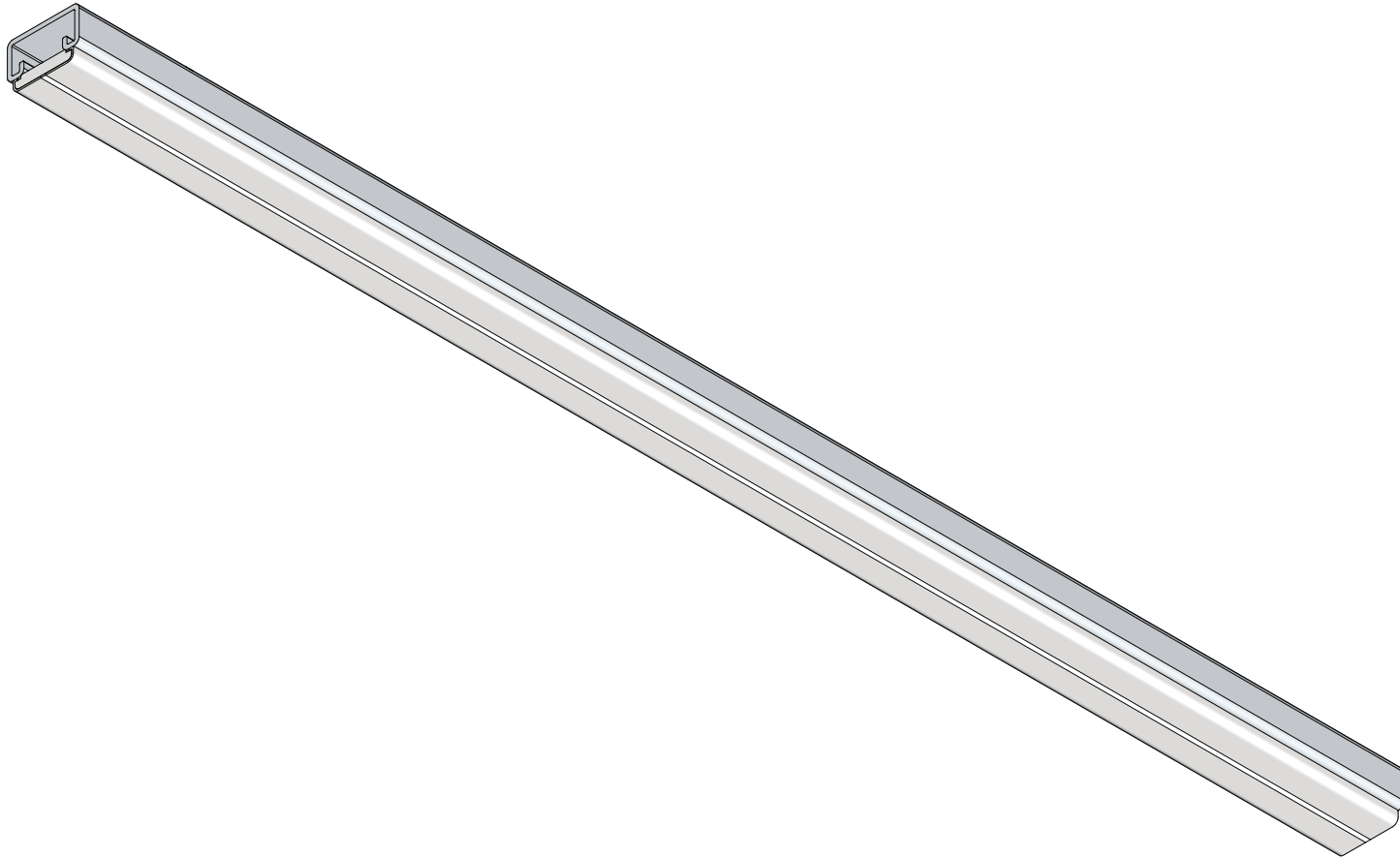
Strut Mount | Remote Power

ZipTwo[®] | 707

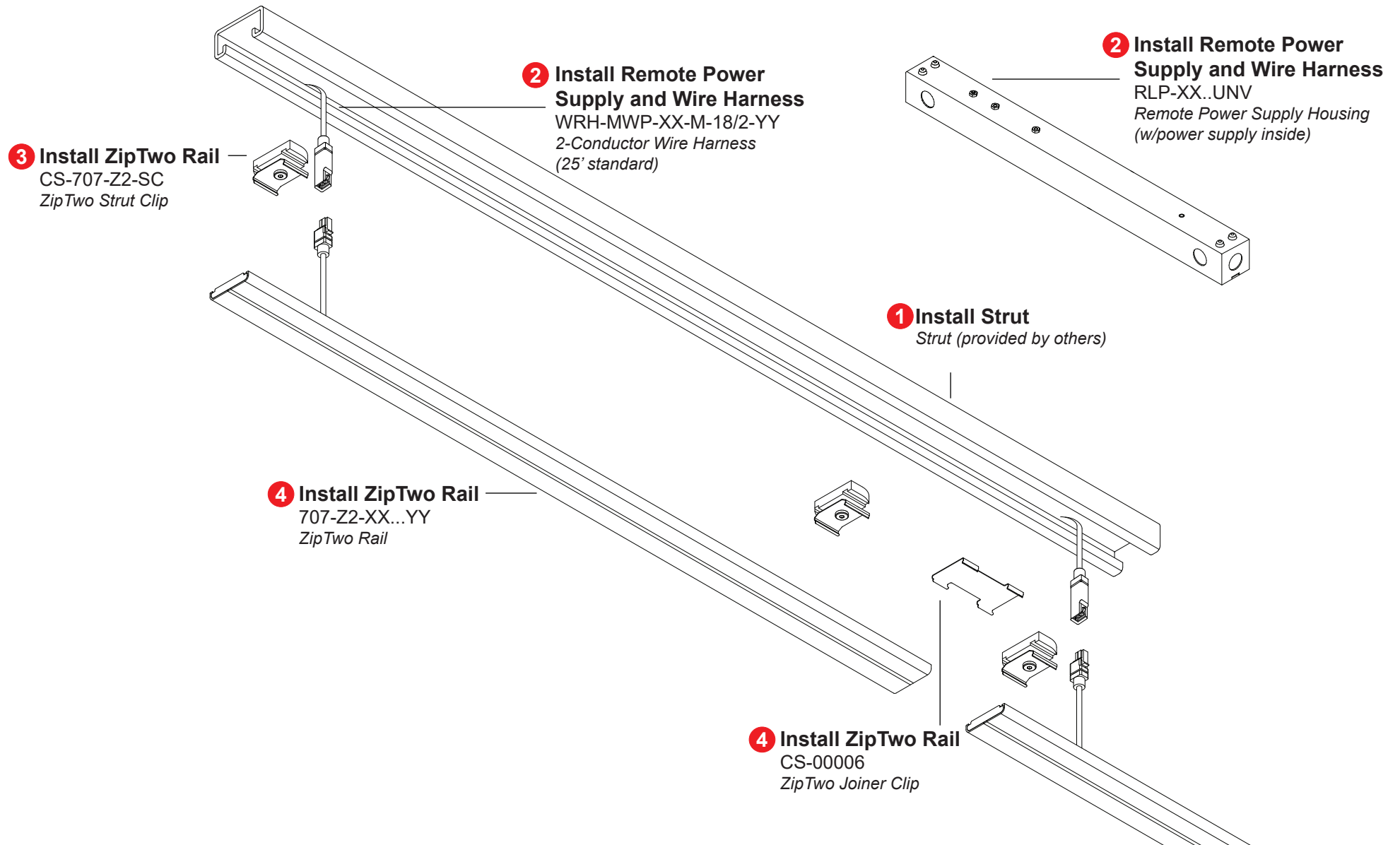
Please read instructions in their entirety before proceeding with any part of the installation. This product must be installed in accordance with the applicable installation code by a person familiar with the construction and operation of the product and the hazards involved. Consult a qualified electrician to ensure correct branch circuit rating. To prevent electric shock, disconnect all power before installing or servicing product. Rated for use in dry and damp locations only. Retain instructions for future reference.

Technical Support: 707-996-9898 or technicalsupport@vode.com

Installed View



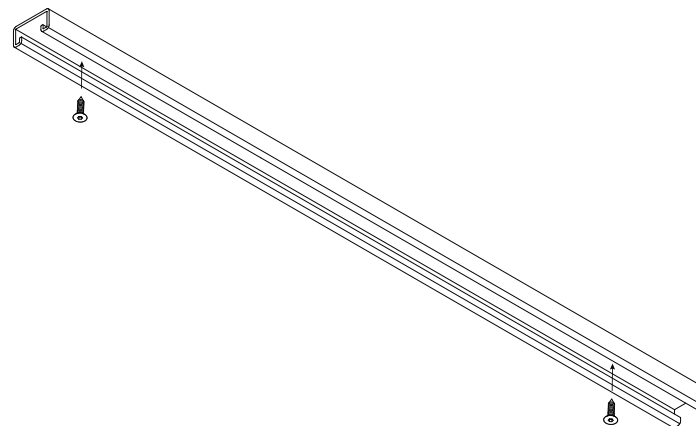
Parts Diagram



Installation Instructions

1 Install Strut to Mounting Surface

Once layout has been verified, secure strut channel to surface with screws (*provided by others*). Make sure each strut section is leveled before making final installation. Alignment of Strut channel is critical, it will determine the alignment of the entire system. Locate ideal location for your system to bring in power and drill a corresponding hole in the Strut to bring in low voltage wiring.



2 Installation of Remote Power Supply and Wire Harness

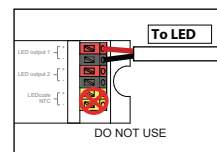
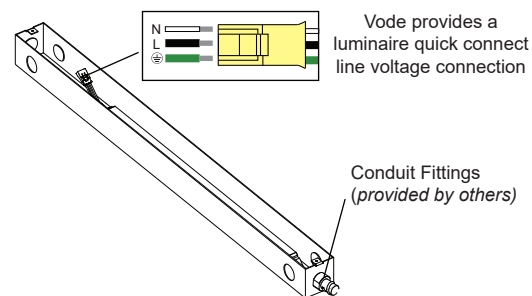
Install power supply housing to desired surface with screws, provided by others. Ground all housings using provided green/yellow lead. Housing should be mounted in an area that is fully accessible after installation.

Bring power into system by connecting ground/earth to green slot in the quick disconnect, common/neutral to white slot in quick disconnect and line/hot to black slot in quick disconnect. The Vode wire harness supplied is plenum rated. Insert flying leads end of the wire harness through opening in mounting surface and feed through to remote power housing. Connect wire harness to power supply using Red (+) and Black (-) leads.

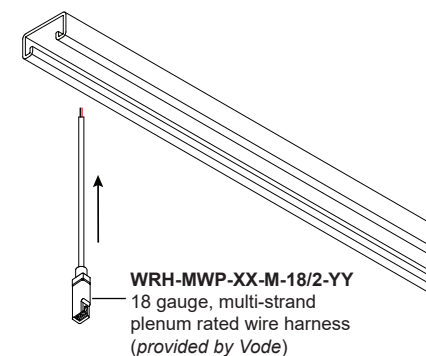
DO NOT power on system until the installation is complete.

For remote power supply maximum distance or other wiring questions, please consult Vode Driver Guide.

NOTE: For 96" fixtures, the driver is programmed differently from 24"-72" rails. Pay attention to installations that mix rail lengths.



Example Only
See Vode Driver Guide for wiring detail.

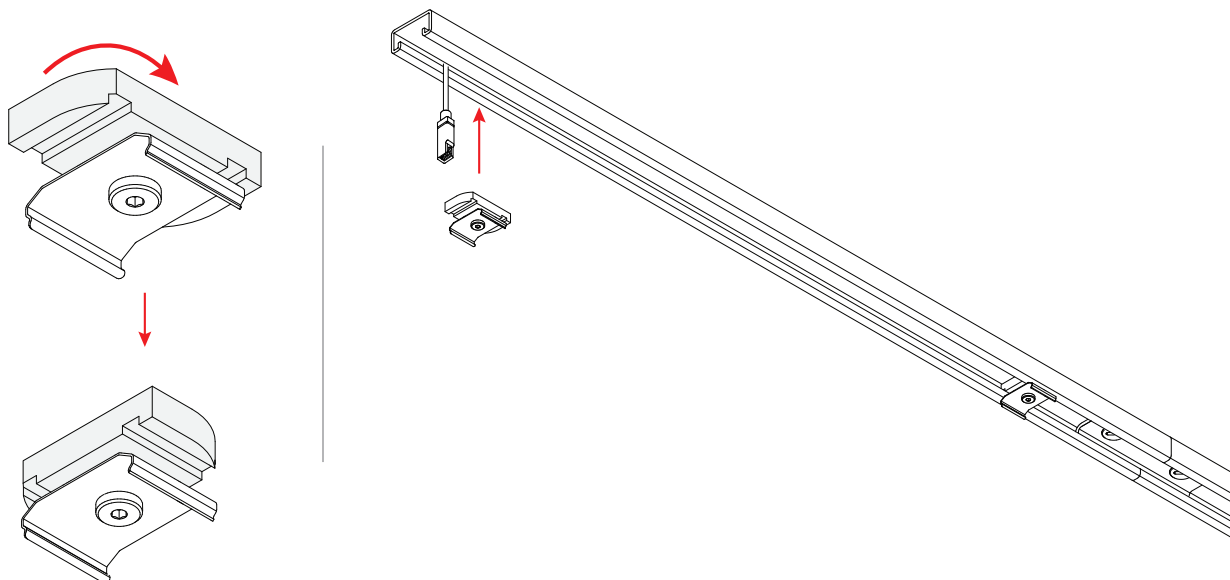


Installation Instructions

3 Install Mounting Clips

Install mounting clips to Strut in desired locations. Fixtures will have two clips for rails under 48", four clips for rails 48" and over and six clips for 96" rails. Turn the strut nut, as shown to fit into the strut. Once in place, tighten screw using 3/32" allen key.

DO NOT over tighten as this will deform the mounting clips.



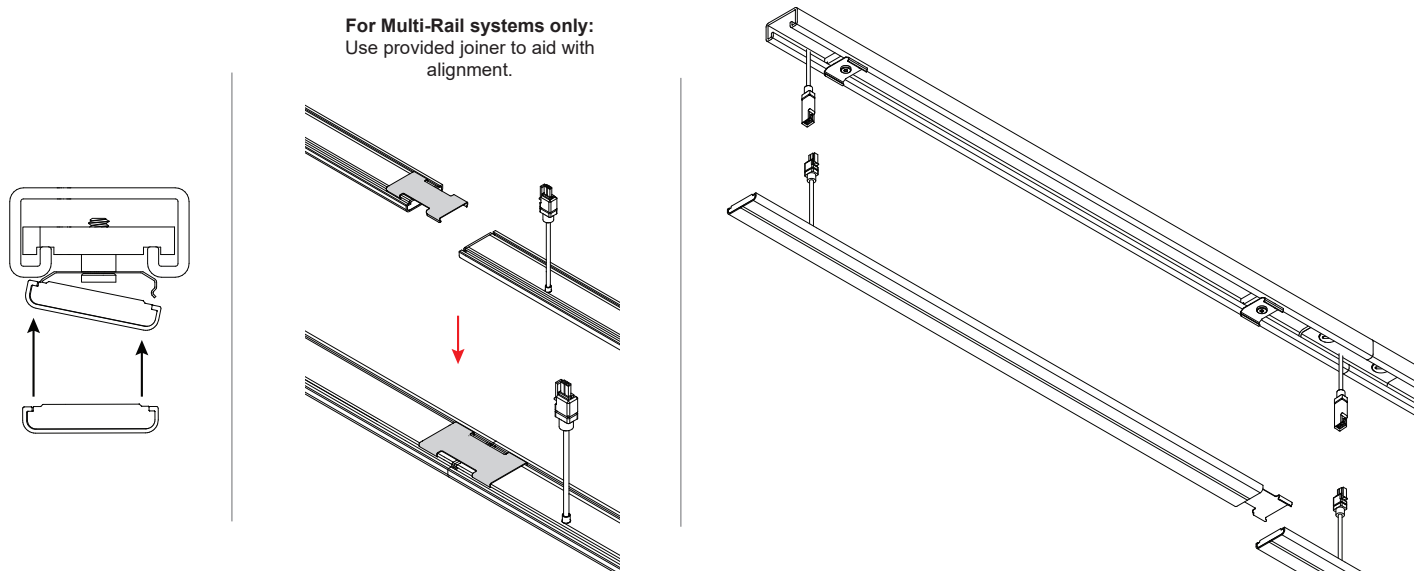
4 Install Rail

Connect rail to power before installing onto clips.

Insert back edge of fixture to clips, then carefully snap front edge onto clips. Check that fixture is securely mounted and connect to power supply.

For multi-rail systems: Joiner should be installed into the first rail before installation into mounting clips. Install joiner to rails by snapping into place. Once the first rail is installed, install the next rail into mounted clips, gently pressing into joiner.

Power system ON.



Appendix

Trouble Shooting Guide

My fixture will not turn on:

Check all wiring is correct and all connections are fastened properly.

If all wiring is correct, remove fixture and connect it to a known working driver.

If the fixture lights up, then the problem is with the installed driver or wiring:

- 1) Check line voltage to driver is present.
- 2) Check driver wiring (see **Vode Driver Guide** for details) and check wiring to fixture.
- 3) Check driver and dimming system are compatible (see **Vode Dimmer Guide** and the dimmer manufacturer's website).

If fixture still doesn't light up, check that all dimming wires are installed correctly. Reversed polarity on any driver will cause the entire system to not work, (see **Vode Driver Guide** for wiring details).

The fixture is not dimming properly:

Check all wiring is correct and all connections are fastened properly.

Check driver wiring (see **Vode Driver Guide** for details). Make sure driver is compatible with dimming controls (see **Vode Dimmer Guide** and the dimmer manufacturer's website).

For any help with operation or technical information, contact Vode Tech Service at 707-996-9898 or technicalsupport@vode.com.

Important Notes

- Listed to UL standards for damp location by a Nationally Recognized Testing Laboratory (NRTL) recognized by OSHA
- Operating Temperature: 32°F to 104°F (0°C to 40°C).
- Input Voltage: 120v - 277v, 50/60hz.
- Power Type: Class 2 (<60v) constant current driver.
- Dimming curve is factory preset to linear. Logarithmic is available upon request. See Vode Driver Guide for specific details and wiring diagram.
- Unless specified, one driver per rail will be supplied.
- 5 Year Limited Warranty. All material and component parts manufactured by Vode are guaranteed to be free from defects of material and/or workmanship for a period of 5 years from date of sale. Product must be installed according to Vode installation instructions and accepted trade practices. Power supplies and other auxiliary equipment is not covered under Vode warranty but may be covered by separate OEM warranty.

Remote Driver Distance

Note: All Vode remote drivers come in a 1/16" (0.8mm) formed steel, zinc chromate plated power supply housing with six (6) knockouts for 1/2" NPT fittings. Power supply housing dimensions: 1.9" (48 mm) x 2.1" (53 mm) x 24.5" (622 mm)

Driver	Remote Distance
eldoLED	72' (21.9 m)
Philips	32' (9.8 m)
OSRAM	16' (4.88 m)
Magnitude	16' (4.88 m)
Lutron	Zipper board: Standard / Low Output: 30' (9.14 m) , High Output: 15' (4.57 m) Button board: Standard / Low Output: 15' (4.57 m) High Output: 10' (3.05 m)

For other wiring questions, see **Vode Driver Guide**.