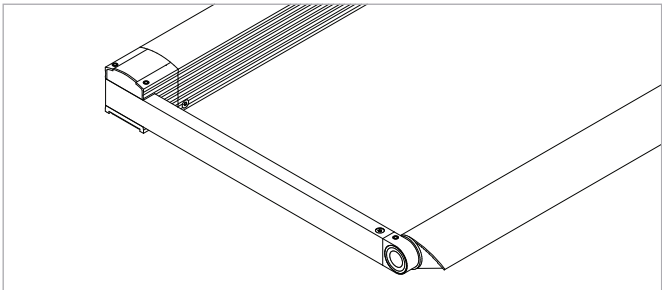


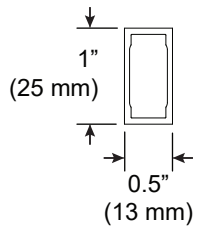
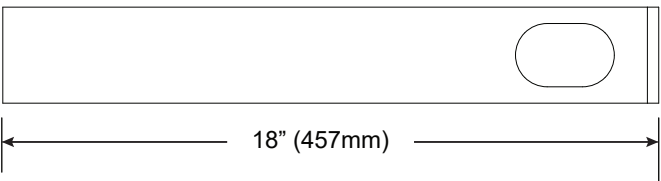
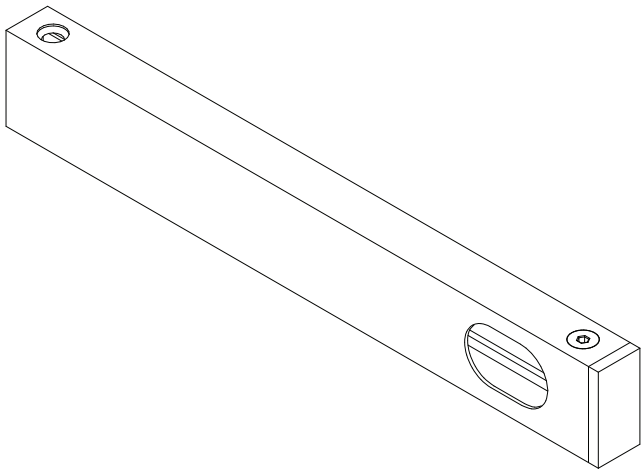
Single Arm, Single Sided

For use with System | 117

Connects 117 | Sidekick System integral power supply housing to rails at single sided (K1) system end sections and allows concealed power feed. Single arms supplied in pairs. Single sided (K1) arms cannot exceed 24".



Technical Support: 707-996-9898



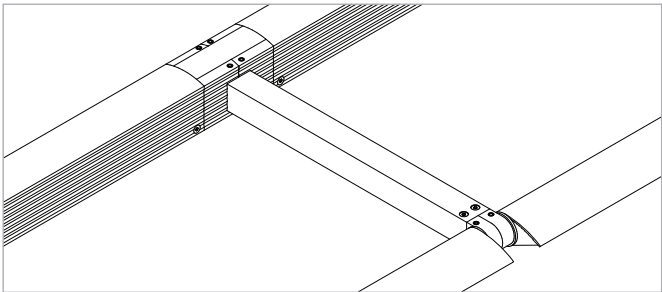
PART NUMBER **AM-117-K1-S-XX-AT-YY**

DESCRIPTION Arm, Stack LED 117, single-sided, single arm, stack mount, XX" [LENGTH], available in anodized aluminum (AA), white painted (W1) and black anodized (AB).

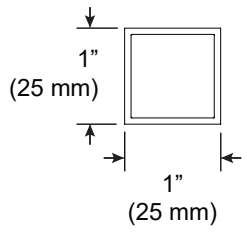
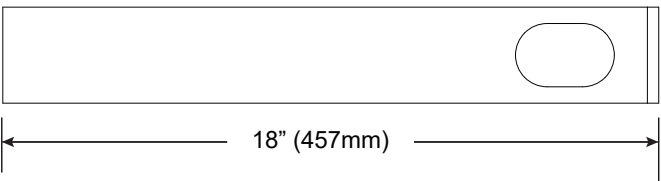
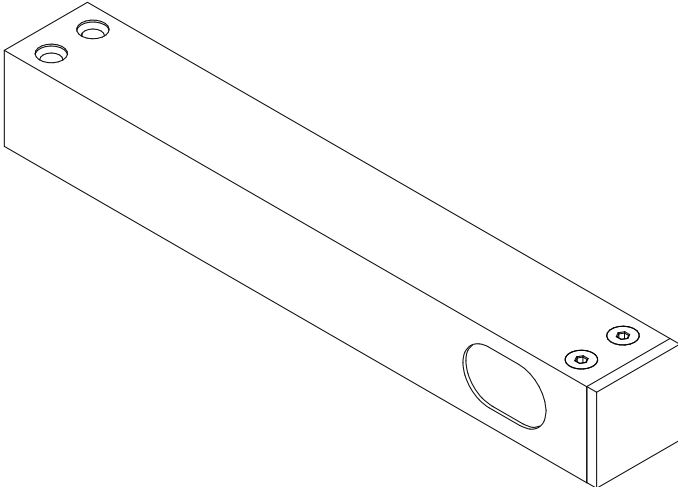
Double Arm, Single Sided

For use with System | 117

Connects 117 | Sidekick System integral power supply housing to rails at single sided (K1) system mid sections and allows concealed power feed. Single sided (K1) arms cannot exceed 24".



Technical Support: 707-996-9898



PART NUMBER **AM-117-K1-D-XX-AT-YY**

DESCRIPTION Arm, Stack LED 117, single-sided, double arm, stack mount, XX" [LENGTH], available in anodized aluminum (AA), white painted (W1) and black anodized (AB).