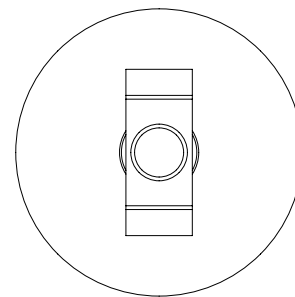
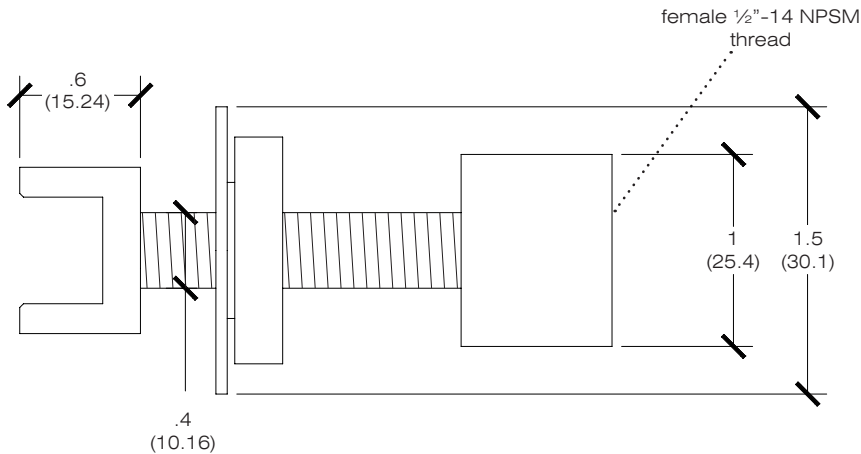
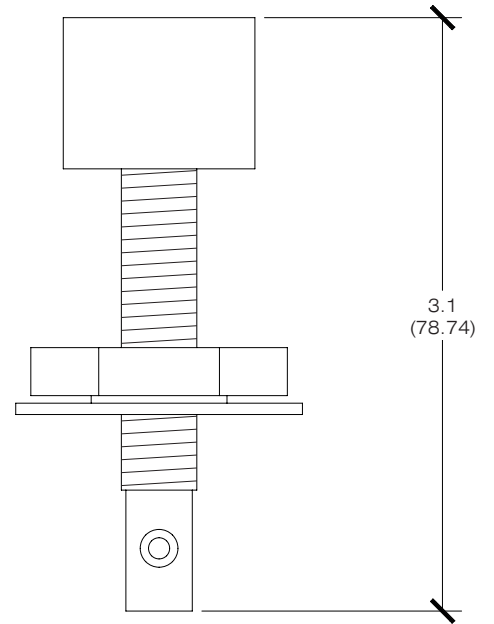
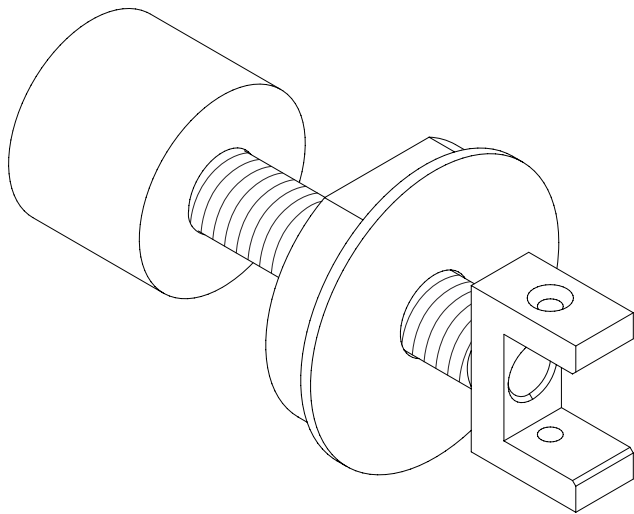
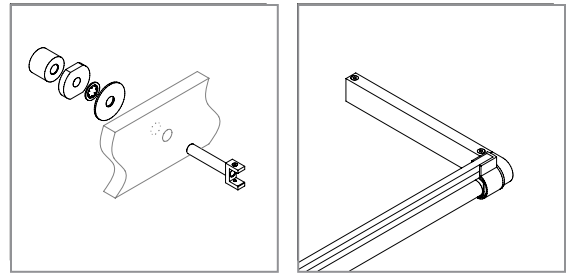




Zero Block / Single Arm

For use with 100
Technical Sheet

Mounts 100 series end sections to surface. Allows direct feed to arm through female 1/2"-14 NPSM thread. Mounts to work surface or similar from 1/8" to 1-1/2" thick. 8" is required behind mounting surface for proper installation. Vode recommends installer pay careful attention when mounting because Zero Block allows for no adjustments after installation.



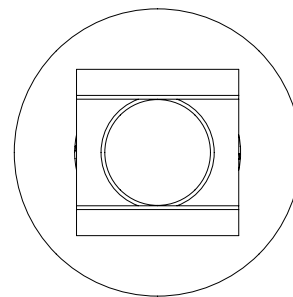
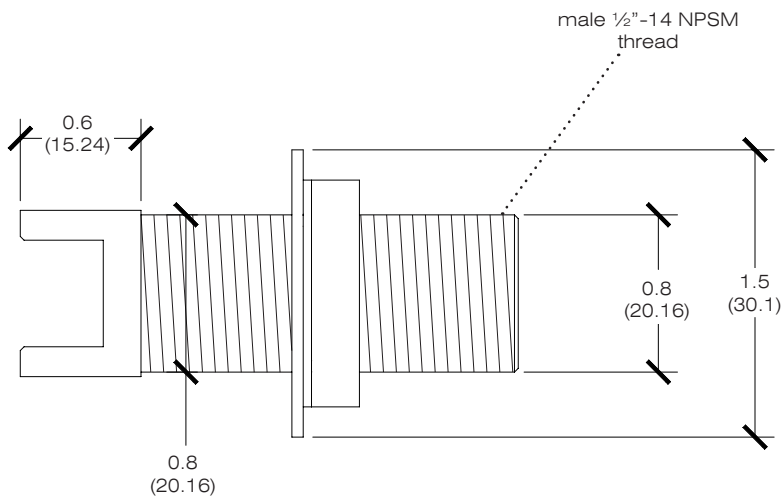
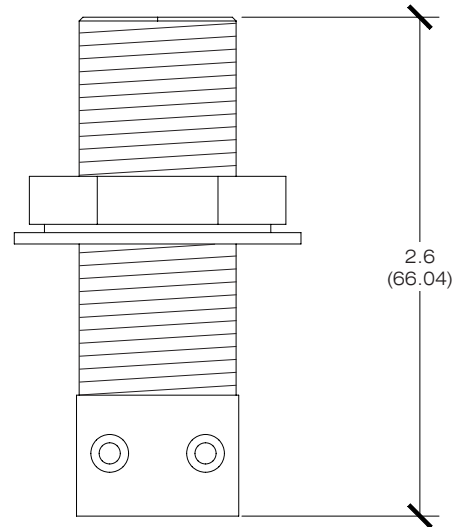
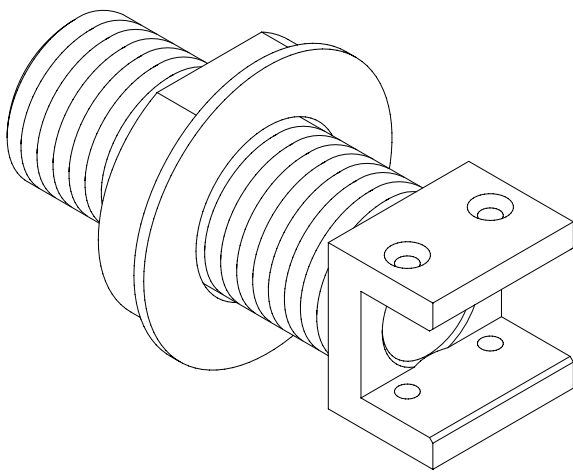
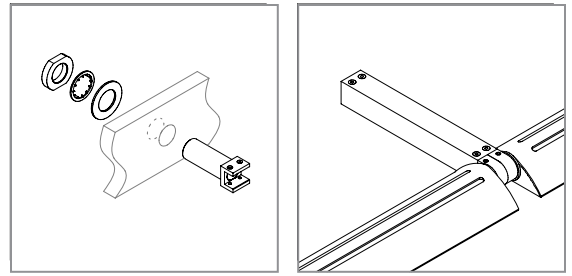
PART NUMBER	100-ZBS	Scale: 1:1 Unit: inches (mm) Drawn By: CB Date: 10/01/13
DESCRIPTION	100 Series, zero block, single arm	



Zero Block / Double Arm

For use with 100, 400 Series
Technical Sheet

Mounts 100 series mid sections & 400 Series arm to surface. Allows direct feed to arm through male 1/2"-14 NPSM thread. Mounts to work surface or similar from 1/8" to 1-1/2" thick. 8" is required behind mounting surface for proper installation. Vode recommends installer pay careful attention when mounting because Zero Block allows for no adjustments after installation.



PART NUMBER	100-ZBD	Scale: 1:1
DESCRIPTION	100 Series, 400 Series, zero block, double arm	Unit: inches (mm)
		Drawn By: CB
		Date: 10/01/13