

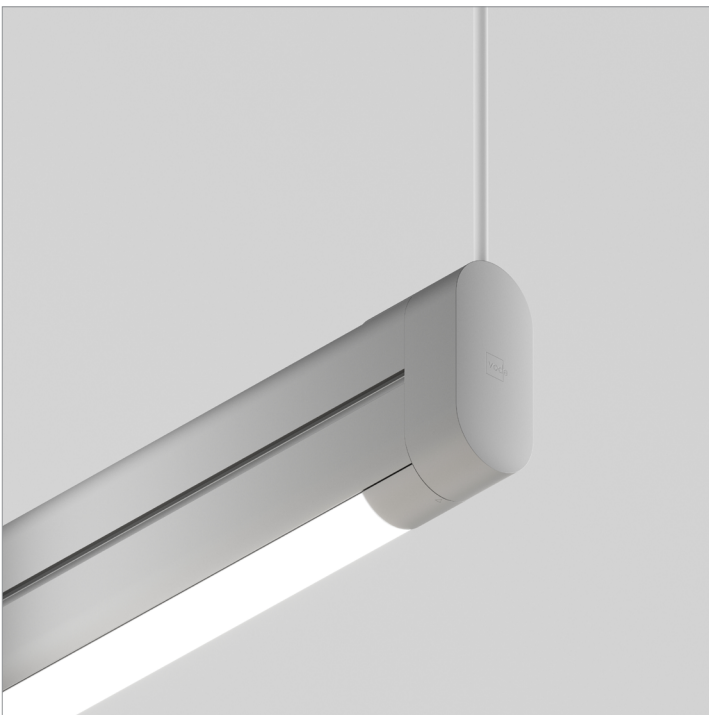


Spec Guide

DoubleRace | Ceiling Cable | 107



Direct/indirect lighting for open office and ambient applications.



DoubleRace, direct/indirect

Benefits & Features

Minimalistic, Robust Design

Oval profile, 2.41 in x 1.14 in

Superior Light Quality & Performance

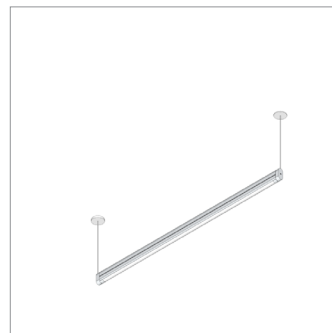
Output up to 2888 lm/ft (HO), 126 lm/W (HO). 90 CRI static & tunable white 2200K - 5000K. Custom ranges available upon request.

High Performance Optics

Break through Batwing lens designed for excellent fixture to fixture spacing.

Simple Installation

Modular snap-fit assembly for quick installation and maintenance.



Small Round Canopy



Integral Power

Build Your Specification

107-DR	01			CC	»
--------	----	--	--	----	---

System & Rail Type 107-DR DoubleRace	Single/Double Rail 01 Single Rail	System Length Specify overall system length in ft/in or M/mm. <i>Corner and Shapes Available</i> See Guide for details.	Rail Length 24 24" (610mm) 36 36" (914mm) 48 48" (1219mm) 60 60" (1524mm) 72 72" (1829mm) 96 96" (2438mm) ZZ Other rail length or layout (please specify) <i>See Rail Length Chart for more details.</i> ▲ Custom lengths may result in light gaps on the fixture. See Rail Length Chart for more details.	Mounting CC Ceiling Cable	Cable Length <i>Field adjustable.</i> 48 48" cable (1210mm) 96 96" cable (2438mm) ZZ Other (please specify)
--	---	--	---	-------------------------------------	--

					»
--	--	--	--	--	---

Power Location Integral Power ¹ IP Integral Power Remote Power Specify mounting and harness length code example: 2R25, 4R25...etc. Mounting Option 2R Small Round Canopy 4R Large Round Canopy	Wire Harness 10 10' (3.048m) Wire Harness 25 25' (7.62m) Wire Harness 50 50' (15.24m) Wire Harness 75 75' (22.86m) Wire Harness 100 100' (30.48m) Wire Harness	Power Type Flexible 1 to 1 Power AE 0-10V, 1.0% Dimming AT 0-10V, 0.1% Dimming AD DALI, 0.1% Dimming AX DMX, 100-0% Dimming AH Hi-lume 1% EcoSystem, Soft On / Fade to Black Technology, LDE ¹ AH2 ELV 1% 2-wire (Forward and Reverse Phase) Optimized Power Add 'O' to power type example: AEO, ATO...etc. ² VodeNODE Add 'N' to power type for Flexible 1 to 1 Power Add 'ON' to power type for Optimized Power example: AEN, ATN, AEON, ADON...etc. ³ ZZ Other (please specify) <i>See Power Guide for driver features & limitations.</i>	Voltage 1 120V 2 120V - 277V X Not Yet Specified	Emergency Power 0 No Emergency Power ZZ Emergency Power (<i>specify requirements</i>)
--	--	---	--	--

Z					
---	--	--	--	--	--

LED Type Z Zipper Board	Lumen Output LO Low Output SO Standard Output HO High Output ZZ Other (please specify) <i>See IES Files page for details.</i> <i>See Power Guide for driver features & limitations.</i>	Color Temperature 90+ CRI 27 2700K 30 3000K 35 3500K 40 4000K ZZ Tunable White Available See Guide for details.	Optics Zipper Board™ (Z) 22 Diffuse, Round, up Diffuse, Round, down G12 120° Batwing, Flat, up Diffuse, Round, down G1G2 120° Batwing, Flat, up 120° FlyWing, Flat, down	Sensors 0 None ZZ Sensor (<i>specify requirements</i>)
-----------------------------------	--	--	---	---

»	
---	--

Finish AL Clear Anodized WH White Powder Coat BL Black Anodized ZZ Other (please specify)	Options 0 None 9 9' 18/3 Cord and Plug ⁴ CPP Chicago Plenum Power
--	--

NOTES & LIMITATIONS

- ¹ Integral Power (IP) is not available with 24" rail lengths in AE, AH, AH2.
- ² Optimized Power is not available with Hi-lume 1% EcoSystem (AHO) Power Type.
- ³ VodeNODE enclosure is not available with ELV 1% 2-wire (AH2) Power Type.
- ⁴ 9' 18/3 Cord and Plug only available with Remote Power (RP).
- ⁵ Chicago Plenum not applicable for wall arm mounting.

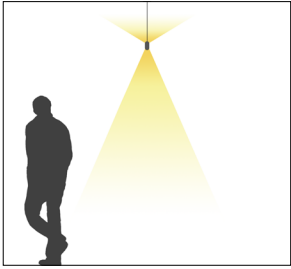
Standard 5 Year Limited Warranty. See details [here](#). Contact factory for options on Limited Warranties up to 20 years.

Listed to UL standards for damp location by a Nationally Recognized Testing Laboratory (NRTL) recognized by OSHA. Certain limitations exist for each Certification. Contact factory for verification.



Applications

General Interior, Open Office, and Conference Room



SRG Office, Portland, OR



Open Office: rendering.



Open Office: rendering.

Sustainability & Certifications

DECLARE

International Living Future Institute (ILFI)

Red List Approved

All Vode Lighting linear light fixtures proudly carry the Red List Approved designation.



Vode Adaptive Architectural Lighting Systems Vode Lighting LLC

Final Assembly: Sonoma, California, US
Life Expectancy: 10+ Year(s)
End of Life Options: Recyclable (100%)

Ingredients:

Steel; Anodized Aluminum (6063-T5 Alloy); Small Electrical Component (RoHS); Copper; **Fluorinated Ethylene Propylene (masterbatch)**; Polymethyl methacrylate (PMMA); Stainless Steel; Polyoxymethylene Copolymer (POM); Styrene-butadiene polymer, hydrogenated; Poly(methyl methacrylate/butyl acrylate/styrene) (PMMA/BA/S); Styrene/butadiene copolymer; Distillates; Polypropylene; Calcium carbonate; Polycarbonate; EVA Copolymer; Methyl methacrylate (MMA); Polyphenylene Oxide; Brass; Tin, Organic

Living Building Challenge Criteria: Compliant

I-13 Red List:

- LBC Red List Free % Disclosed: 100% at 100ppm
- LBC Red List Approved VOC Content: Not Applicable
- Declared

I-10 Interior Performance: Not Applicable

I-14 Responsible Sourcing: Not Applicable

VDE-0001
EXP. 01 FEB 2026
Original Issue Date: 2018

MANUFACTURER RESPONSIBLE FOR LABEL ACCURACY
INTERNATIONAL LIVING FUTURE INSTITUTE™ living-future.org/declare

Click here to learn more: International Living Future Institute

TM65NA

CIBSE & ASHRAE on Embodied Carbon

Vode recognizes TM65NA as the highest standard for understanding the embodied carbon of our fixtures.

Developed with ASHRAE, it adapts CIBSE's TM65 for North America, ensuring accurate regional assessments. It must be used alongside TM65 and follows TM65LA's framework.

System: 107 | DoubleRace | CC
Embodied Carbon (kg CO₂e): 57.42*

***Note:** Embodied Carbon, expressed in kilograms of CO₂e is calculated using a 48" fixture and includes the LED driver.



Click here to learn more [CIBSE](#), [ASHRAE](#).

BAA X BABA

Buy American Act / Build America & Buy America Act Compliance

Vode is dedicated to supporting domestic manufacturing and ensuring compliance with BAA and BABA requirements.

Given the complexity of our products, we recommend reaching out to vodecares@vode.com for confirmation regarding compliance for your specific project.



Click here to learn more: US Department of Commerce

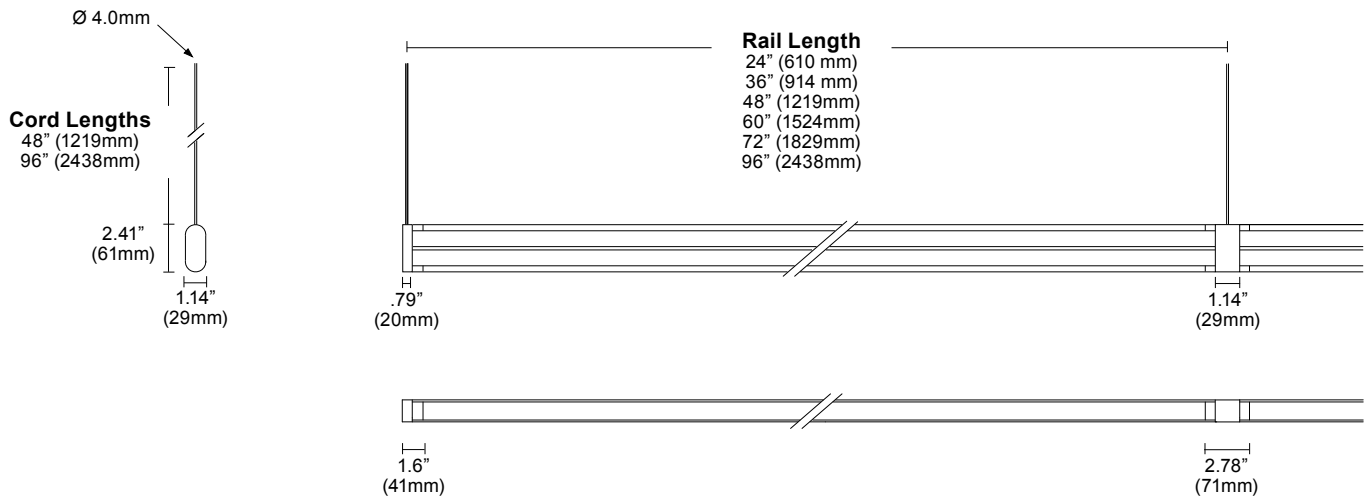
Structure

Rail Length	24" (610mm) - 96" (2438mm). Modified lengths available. See Rail Length Chart for more details.
Rail Dimension	2.41 (61mm) x 1.14 (29mm) x length.
Construction	Extruded and machined 6063 aluminum.
Mounting	Ceiling mount to jbox or integral driver housing.
Cable Length	48" (1219mm) and 96" (2438mm) available. Field adjustable. Non-standard cable lengths available.
System Run Length	24" (610mm) minimum. Unlimited maximum.
Operating Temperature	32°F to 104°F (0°C to 40°C).
Humidity	0-85%, non-condensing.
System Weight	1.05lbs (0.48kg) per foot (305mm) Power supply and housing not included.

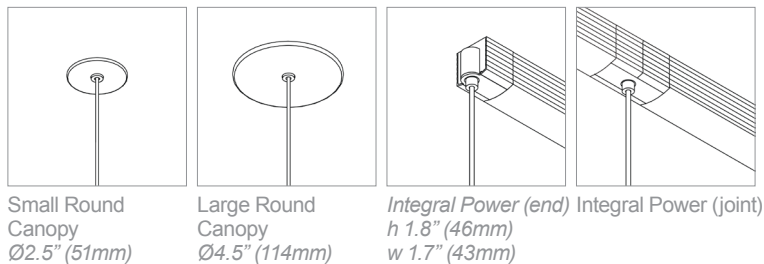
Materials

LED Board Construction	Aluminum core PCB, black LCP connectors, RoHS compliant.
Lens	High-impact extruded acrylic glass (PMMA).
Baffle	6063 aluminum, RoHS compliant painted finish.
Suspension Cable	Ø4mm, 22/2 AWG, PVC jacket, FEP-insulated, RoHS compliant.
Power Cable	Ø4mm, 18/2 AWG, Plenum (CMP) rated semi-rigid PVC, flame tested UL-910.
Cable Connectors	Unfilled white nylon, rate UL 94 V-0, halogen free, PVC overmold, RoHS compliant.
Remote Power Housing	24.5" x 1.9" x 1.9", 1/16" (0.8mm) formed steel, zinc chromate plating.

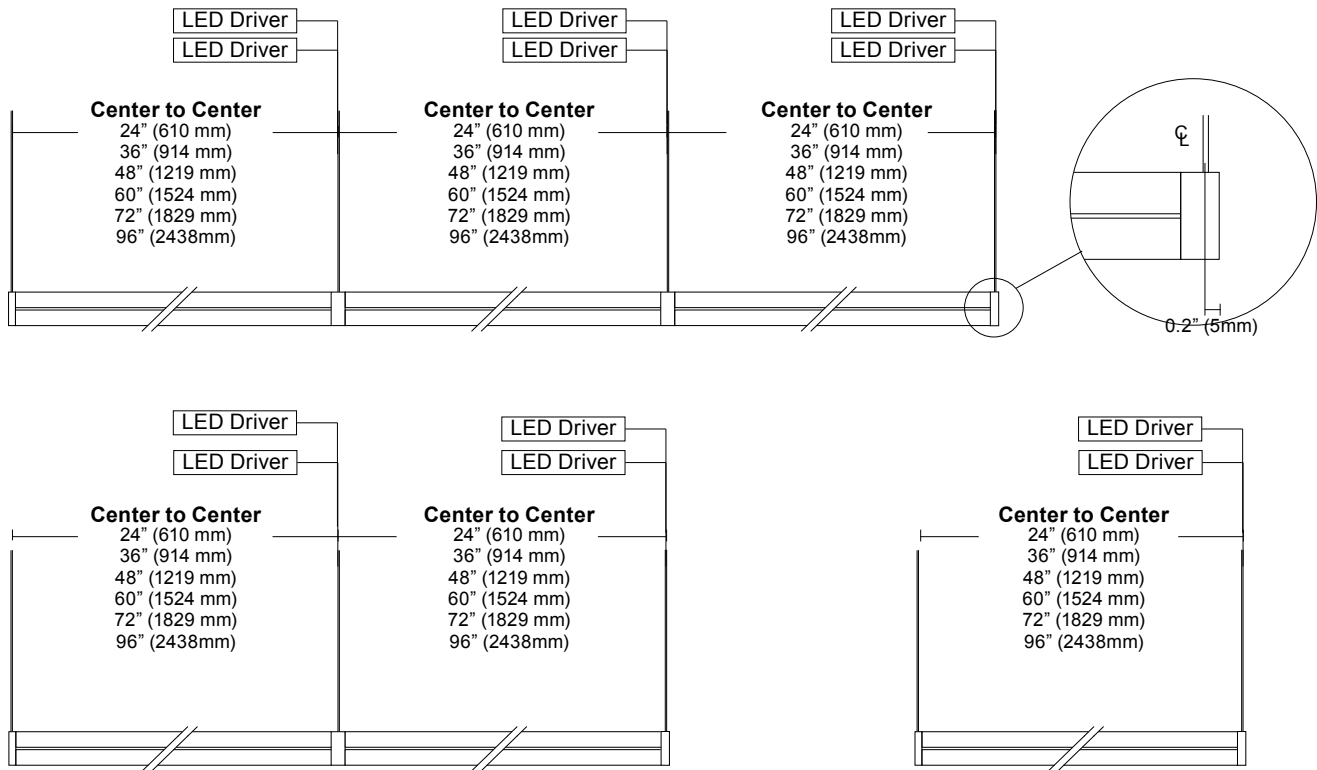
Dimensions



Mounting Options



Layout



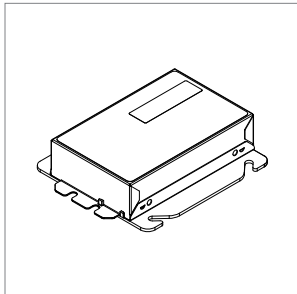
Corner and Shapes Available (Square, Rectangle, L-Shape, U-Shape, ZigZag) [See Guide](#) for details.

Power and Controls

Power Type	Class 2 (<60V output) constant current driver.
Dimming Controls	Dimming (0.1%, 1%), 0-10V, DALI, DMX, Hi-lume 1% are available. See Power Guide for details.
Input Voltage	120V - 277V, 50/60hz.
Power Location	Integral or remote power. Maximum remote distance up to 100' (30.5m) depending on driver selection. See Power Guide for details.

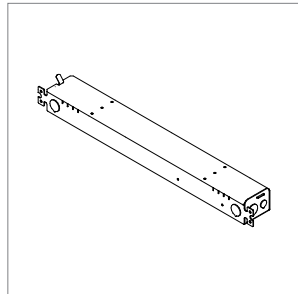
Vode power locations fall into two categories: integral and remote. Remote power is locating the power supply away from the fixture. Remote power comes in two housing styles: brick style and linear style. Consult [Power Guide](#) to determine which type you will receive. Integral power is locating the power supply into the lighting fixture or mounting.

Remote Brick Power Housing



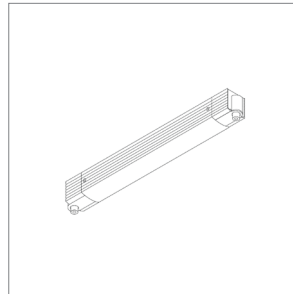
Supplied for some remote power applications. One remote power supply housing is supplied for each rail. Provided driver mounting plate fits standard 4" metal, square J-Boxes with a minimum volume of 21 in³ (J-Box not provided). See [Tech Sheet](#) for details.

Remote Linear Power Housing



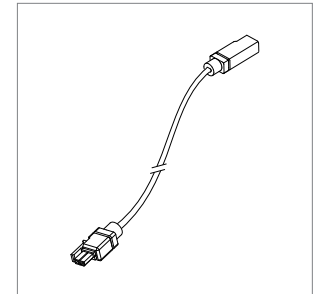
One remote power supply housing is supplied with each power supply. All Vode linear remote drivers come in a 0.054" (0.8mm) formed galvanized steel power supply housing with five (5) knockouts: (4) 1-1/8", (1) 7/8" and (1) 9/16". Accommodates standard linear power supplies. See [Tech Sheet](#) for details.

Integral Power



Houses integral power supply. Direct conduit feed is recommended, but integral power supply housing will mount to any standard North America 4" j-box. Mounts to most surfaces. Blocking is recommended at all arm junctions. See [Tech Sheet](#) for details.

Wire Harness

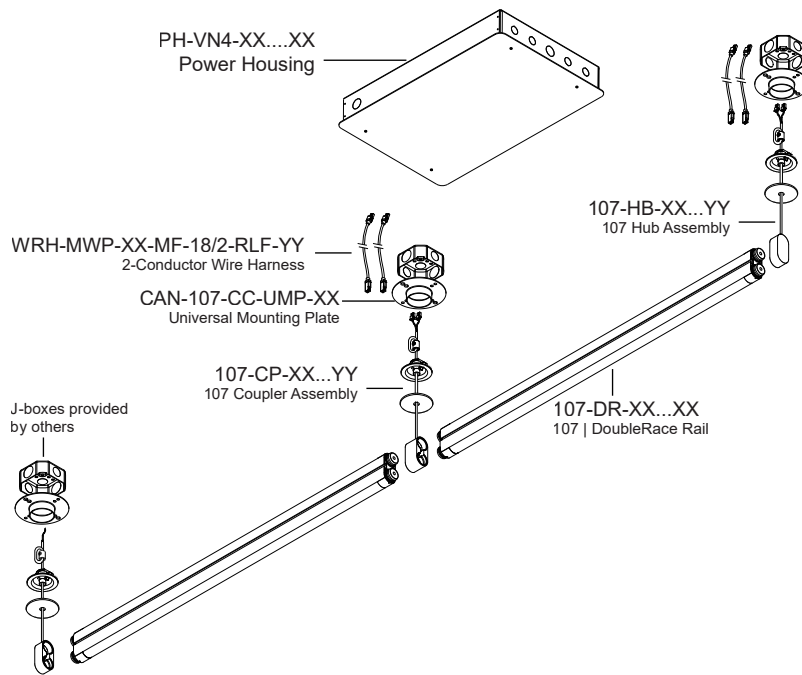


Wire harness connects driver to rail section. Lengths of 10' (3.0m) & 25' (7.6m) with snap-lock connectors for quick and easy installation. Multiple harnesses may be combined for lengths up to 100' (30.5m). See [Tech Sheet](#) for details.

Power and Controls

Flexible 1 to 1 power

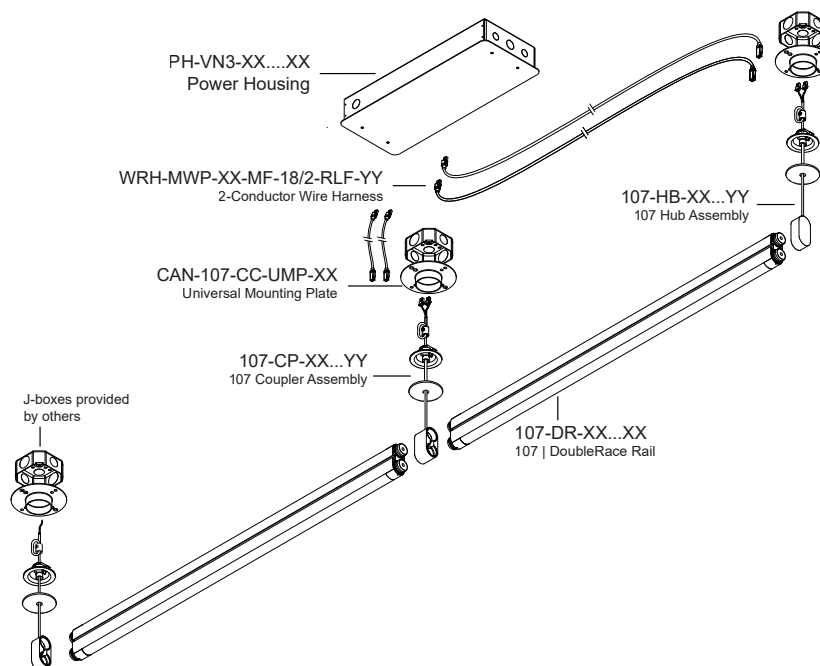
For Flexible 1 to 1 Power, Vode supplies one single output driver per fixture, allowing each fixture to be controlled independently. Direct/Indirect fixtures are supplied with two single output drivers, allowing the direct and indirect lighting to be controlled independently. Consult [Power Guide](#) to determine which type you will receive.



Optimized Power

To optimize power, Vode configures specifications with drivers that have 2 or 4 outputs. Depending on system configurations and power requirements, up to 4 fixtures can be powered from a 4-output driver. Consult [Power Guide](#) to determine which type you will receive.

IMPORTANT: Each fixture will still require individual wire harnesses, as shown below.



Note: Drawings not to scale, for reference only.

Finish

Clear Anodized Finish



Clear Anodized Rail, White Canopy/Clear Anodized Integral Power, White Cable

White Powder Coat Finish



White Rail, White Canopy/Integral Power, White Cable

Black Anodized Finish

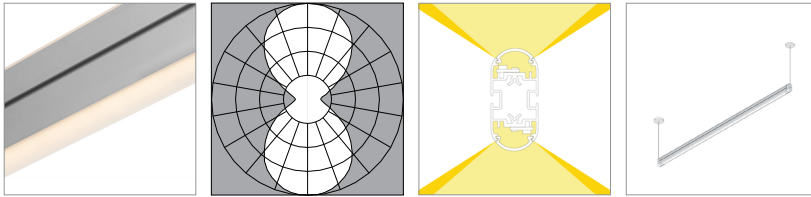


Black Rail, Black Canopy/Integral Power, Black Cable

Performance | Zipper Board Optics

Zipper Board Optics design has 72 diodes per foot (305mm).

Diffuse, Round, up | Diffuse, Round, down (22)



L80 >60,000 hours

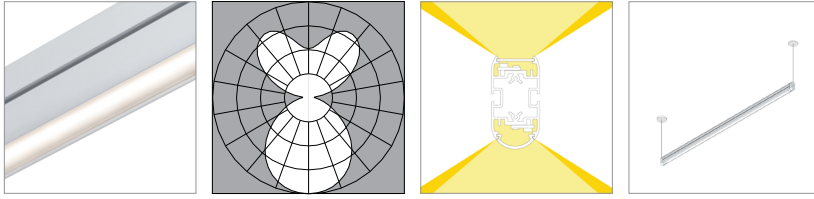
90 CRI (90min., 96 avg.)

	2700K	3000K	3500K	4000K
Low Output (LO)				
Efficacy - Lumens per Watt	108	112	114	115
Lumens per foot (305mm)	746	769	785	793
Watts per foot (305mm)	7.0	7.0	7.0	7.0
Standard Output (SO)				
Efficacy - Lumens per Watt	125	129	132	133
Lumens per foot (305mm)	1491	1538	1570	1585
Watts per foot (305mm)	12.0	12.0	12.0	12.0
High Output (HO)				
Efficacy - Lumens per Watt	116	120	122	123
Lumens per foot (305mm)	2833	2923	2983	3012
Watts per foot (305mm)	24.6	24.6	24.6	24.6

Performance | Zipper Board Optics

Zipper Board Optics design has 72 diodes per foot (305mm).

120° Batwing, Flat, up | Diffuse, Round, down (G12)



L80 >60,000 hours

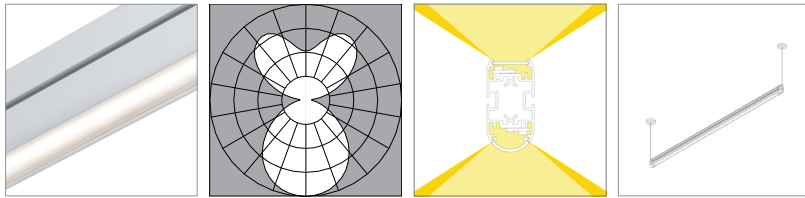
90 CRI (90min., 96 avg.)

Low Output (LO)	2700K	3000K	3500K	4000K
Efficacy - Lumens per Watt	100	103	105	106
Lumens per foot (305mm)	688	710	724	731
Watts per foot (305mm)	7.0	7.0	7.0	7.0

Standard Output (SO)	2700K	3000K	3500K	4000K
Efficacy - Lumens per Watt	116	119	122	123
Lumens per foot (305mm)	1376	1419	1448	1462
Watts per foot (305mm)	12.0	12.0	12.0	12.0

High Output (HO)	2700K	3000K	3500K	4000K
Efficacy - Lumens per Watt	107	110	113	114
Lumens per foot (305mm)	2614	2696	2751	2779
Watts per foot (305mm)	24.6	24.6	24.6	24.6

120° Batwing, Flat, up | 120° FlyWing, Flat, down (G1G2)



L80 is >60,000 hours

90 CRI (90min., 96 avg.)

Low Output (LO)	2700K	3000K	3500K	4000K
Efficacy - Lumens per Watt	92	95	97	98
Lumens per foot (305mm)	634	654	668	674
Watts per foot (305mm)	7.0	7.0	7.0	7.0

Standard Output (SO)	2700K	3000K	3500K	4000K
Efficacy - Lumens per Watt	107	110	112	113
Lumens per foot (305mm)	1269	1309	1336	1349
Watts per foot (305mm)	12.0	12.0	12.0	12.0

High Output (HO)	2700K	3000K	3500K	4000K
Efficacy - Lumens per Watt	99	102	104	105
Lumens per foot (305mm)	2411	2487	2537	2563
Watts per foot (305mm)	24.6	24.6	24.6	24.6

Copyright © 2025 Vode Lighting LLC. All rights reserved. Vode, the Vode logo, BoxRail, FlyWing, MicroBaffle, Button Board, Zipper Board, Zero Canopy, Zero Block, VodeNODE and other names are either registered trademarks or trademarks of Vode Lighting LLC in the United States and may be registered in other countries. All other trademarks listed herein belong to their respective owners. Due to ongoing innovation, specification details may change without notice.