



Spec Guide

DoubleBox | Ceiling Cable | 107



Direct/indirect lighting for ambient, open office, conference room and wall wash applications.



DoubleBox, direct/indirect

Benefits & Features

Minimal Profile, Robust Design

Rectangular profile, 2.48 in x 1.14 in.

Superior Light Quality & Performance

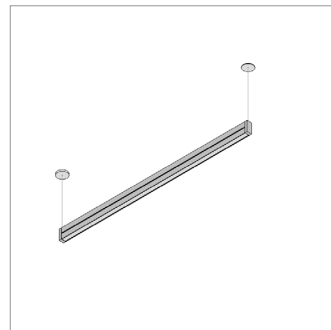
Output up to 2972 lm/ft (HO), 131 lm/W (HO). 90 CRI static & tunable white 2200K - 5000K. Custom ranges available upon request.

High Performance Optics

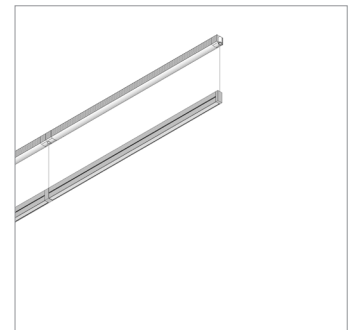
Break through Batwing lens designed for excellent fixture to fixture spacing.

Better Optics & Beam Control

Options of Batwing, FlyWing, black or white baffle, diffuse lens and narrow optics for ambient, grazing or wall wash..



Small Round Canopy



Integral Power, Continuous System

Build Your Specification

107-DB	01			CC	»
--------	----	--	--	----	---

System & Rail Type	Single/Double Rail	System Length	Rail Length	Mounting	Cable Length <i>Field adjustable.</i>
107-DB DoubleBox	01 Single Rail	Specify overall system length in ft/in or M/mm. <i>Corner and Shapes Available</i> <i>See Guide for details.</i>	24 24" (610mm) 36 36" (914mm) 48 48" (1219mm) 60 60" (1524mm) 72 72" (1820mm) 96 96" (2438mm) ZZ Other rail length or layout (please specify) <i>See Rail Length Chart for more details.</i> ▲ Custom lengths may result in light gaps on the fixture. See Rail Length Chart for more details.	CC Ceiling Cable	48 48" cable (1210mm) 96 96" cable (2438mm) ZZ Other (please specify)

					»
--	--	--	--	--	---

Power Location	Power Type	Voltage	Emergency Power
Integral Power ¹	Flexible 1 to 1 Power	1 120V 2 120V - 277V X Not Yet Specified	0 No Emergency Power ZZ Emergency Power <i>(specify requirements)</i>
IP Integral Power	AE 0-10V, 1.0% Dimming AT 0-10V, 0.1% Dimming AD DALI, 0.1% Dimming AX DMX, 100-0% Dimming AH Hi-lume 1% EcoSystem, Soft On / Fade to Black Technology, LDE ¹ AH2 ELV 1% 2-wire (Forward and Reverse Phase)		
Remote Power	Optimized Power		
Specify mounting and harness length code example: 2R25 , 4R25 ...etc.	Add 'O' to power type example: AEO, ATO...etc. ²		
Mounting Option	VodeNODE		
	Add 'N' to power type for Flexible 1 to 1 Power Add 'ON' to power type for Optimized Power example: AEN, ATN, AEON, ADON...etc. ³		
2R Small Round Canopy 4R Large Round Canopy	10 10' (3.048m) Wire Harness 25 25' (7.62m) Wire Harness 50 50' (15.24m) Wire Harness 75 75' (22.86m) Wire Harness 100 100' (30.48m) Wire Harness		
	ZZ Other (please specify) <i>See Power Guide for driver features & limitations.</i>		

Z				
---	--	--	--	--

LED Type	Lumen Output	Color Temperature	Optics	Sensors
Z Zipper Board	LO Low Output SO Standard Output HO High Output ZZ Other (please specify) <i>See IES Files page for details.</i> <i>See Power Guide for driver features & limitations.</i>	90+ CRI 27 2700K 30 3000K 35 3500K 40 4000K ZZ Tunable White Available <i>See Guide for details.</i>	Zipper Board™ (Z) G12 120° Batwing, up Diffuse, down G1WB 120° Batwing, up White Baffle, down G1BB 120° Batwing, up Black Baffle, down G1S1 120° Batwing, up 40° Symmetric, down G1S2 120° Batwing, up 60° Symmetric, down G1A1 120° Batwing, up 85° Symmetric, down G1G2 120° Batwing, up 120° FlyWing, down	0 None ZZ Sensor <i>(specify requirements)</i>

»	
---	--

Finish	Options
AL Clear Anodized WH White Powder Coat BL Black Anodized ZZ Other (please specify)	0 None 9 9' 18/3 Cord and Plug ⁴ CPP Chicago Plenum Power LLLL Luminaire Level Lighting Controls

NOTES & LIMITATIONS

- ¹ Integral Power (IP) is not available with 24" rail lengths in AE, AH, AH2.
- ² Optimized Power is not available with Hi-lume 1% EcoSystem (AHO) Power Type.
- ³ VodeNODE enclosure is not available with ELV 1% 2-wire (AH2) Power Type.
- ⁴ 9' 18/3 Cord and Plug only available with Remote Power (RP).
- ⁵ Chicago Plenum not applicable for wall arm mounting.

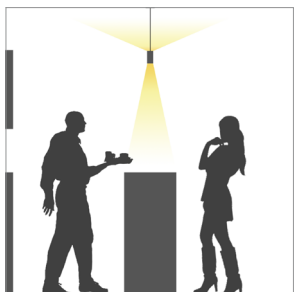
Standard 5 Year Limited Warranty. See details [here](#). Contact factory for options on Limited Warranties up to 20 years.

Listed to UL standards for damp location by a Nationally Recognized Testing Laboratory (NRTL) recognized by OSHA. Certain limitations exist for each Certification. Contact factory for verification.



Applications

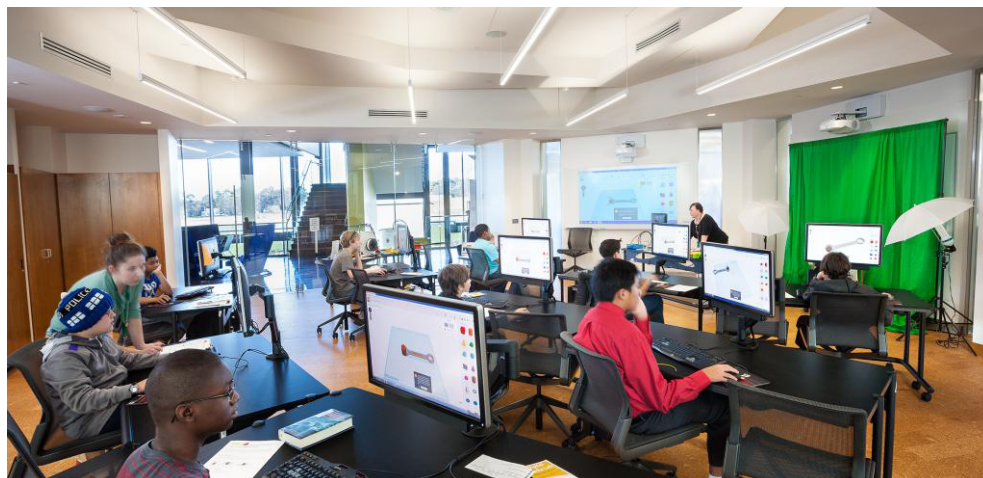
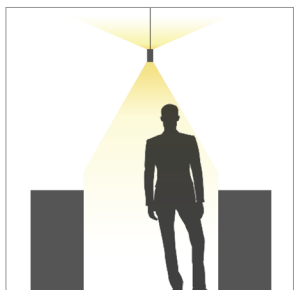
General Interior, Open Office, and Conference Room



Square Inc, San Francisco, CA



PCH Innovation, San Francisco, CA



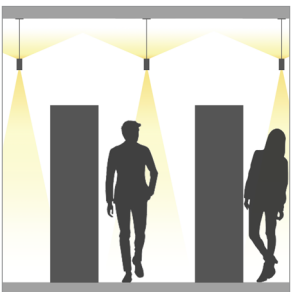
Libbie Mill Library, Richmond, VA

Applications

General Interior, Open Office, and Conference Room



Open Office: rendering.



Harold C. Smith Learning Commons, Springfield, MA

Sustainability & Certifications

DECLARE

International Living Future Institute (ILFI)

Red List Approved

All Vode Lighting linear light fixtures proudly carry the Red List Approved designation.



Declare.

Vode Adaptive Architectural Lighting Systems Vode Lighting LLC

Final Assembly: Sonoma, California, US
Life Expectancy: 10+ Year(s)
End of Life Options: Recyclable (100%)

Ingredients:

Steel; Anodized Aluminum (6063-T5 Alloy); Small Electrical Component (RoHS); Copper; **Fluorinated Ethylene Propylene (masterbatch)**; Polymethyl methacrylate (PMMA); Stainless Steel; Polyoxymethylene Copolymer (POM); Styrene-butadiene polymer, hydrogenated; Poly(methyl methacrylate/butyl acrylate/styrene) (PMMA/BA/S); Styrene/butadiene copolymer; Distillates; Polypropylene; Calcium carbonate; Polycarbonate; EVA Copolymer; Methyl methacrylate (MMA); Polyphenylene Oxide; Brass; Tin, Organic

Living Building Challenge Criteria: Compliant

I-13 Red List:

- LBC Red List Free % Disclosed: 100% at 100ppm
- LBC Red List Approved VOC Content: Not Applicable
- Declared

I-10 Interior Performance: Not Applicable

I-14 Responsible Sourcing: Not Applicable

VDE-0001
EXP. 01 FEB 2026
Original Issue Date: 2018

MANUFACTURER RESPONSIBLE FOR LABEL ACCURACY
INTERNATIONAL LIVING FUTURE INSTITUTE™ living-future.org/declare

Click here to learn more: International Living Future Institute

TM65NA

CIBSE & ASHRAE on Embodied Carbon

Vode recognizes TM65NA as the highest standard for understanding the embodied carbon of our fixtures.

Developed with ASHRAE, it adapts CIBSE's TM65 for North America, ensuring accurate regional assessments. It must be used alongside TM65 and follows TM65LA's framework.

System: 107 | DoubleBox | CC
Embodied Carbon (kg CO₂e): 60.38*

***Note:** Embodied Carbon, expressed in kilograms of CO₂e is calculated using a 48" fixture and includes the LED driver.



Click here to learn more [CIBSE](#), [ASHRAE](#).

BAA X BABA

Buy American Act / Build America & Buy America Act Compliance

Vode is dedicated to supporting domestic manufacturing and ensuring compliance with BAA and BABA requirements.

Given the complexity of our products, we recommend reaching out to vodecares@vode.com for confirmation regarding compliance for your specific project.



Click here to learn more: US Department of Commerce

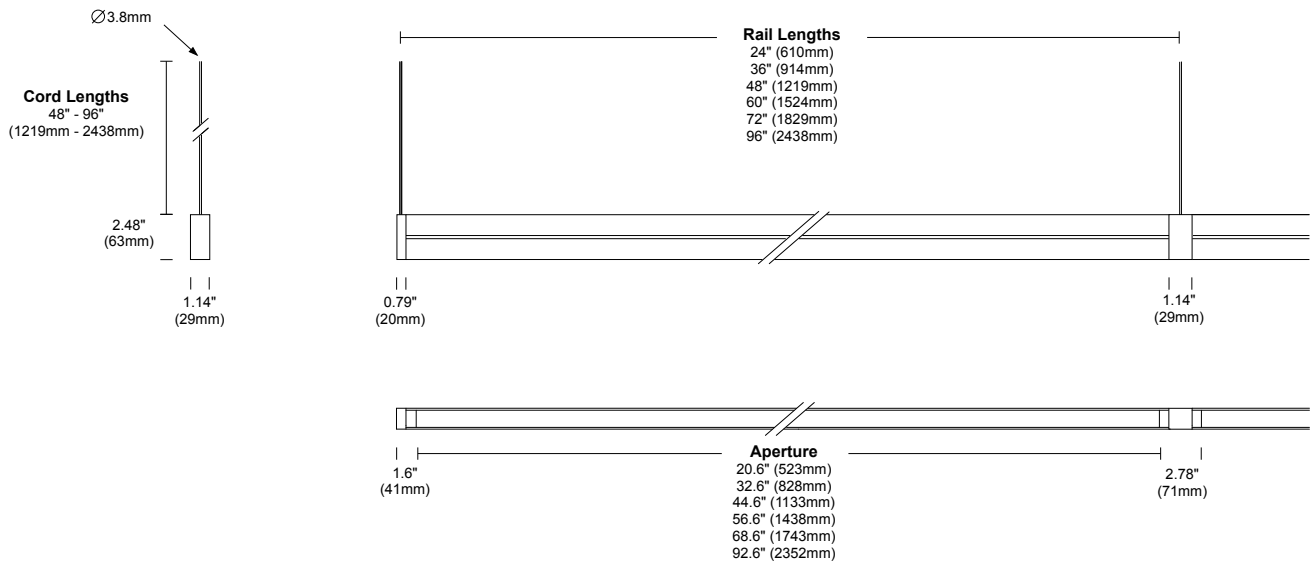
Structure

Rail Length	24" (610mm) - 96" (2438mm). Modified lengths available. See Rail Length Chart for more details.
Rail Dimension	2.48" x 1.14" (63mm x 29mm) x length.
Construction / Finish	Extruded and machined 6063 aluminum. Clear anodized, black anodized, white painted and non-standard finishes available.
Mounting	Ceiling mount to jbox or integral power driver housing.
Cable Length	48" (1219mm) and 96" (2438mm) available. Field adjustable. Non-standard cable lengths available.
System Run Length	24" (610mm) minimum. Unlimited maximum.
Operating Temperature	32°F to 104°F (0°C to 40°C).
Humidity	0-85%, non-condensing.
System Weight	1.22lbs per ft (0.56kg per 305mm) Remote Power supply and mounting hardware not included.

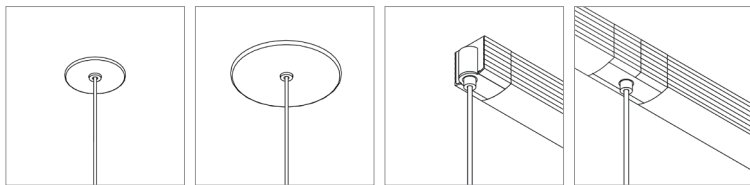
Materials

LED Board Construction	Aluminum core PCB, black LCP connectors, RoHS compliant.
Lens	High-impact extruded acrylic glass (PMMA).
Baffle	6063 aluminum, RoHS compliant painted finish.
Suspension Cable	Ø3.8mm, 22/2 AWG, PVC or TPE and RoHS compliant (<i>PVC free in 2020</i>).
Power Cable	Ø4mm, 18/2 AWG, Plenum (CMP) rated semi-rigid PVC or FEP, flame tested UL-910 (<i>PVC free in 2020</i>).
Cable Connectors	Unfilled black nylon, rated UL 94 V-0, halogen free, PVC or FEP overmold, RoHS compliant (<i>PVC free in 2020</i>).
Remote Linear Power Housing (RLP)	20.7" x 2.375" x 2.53", 0.054" formed Galvanized Steel.
Remote Brick Power Housing (RBP)	4.32" x 3.37" x .078" Galvanized Steel mounting plate.

Dimensions



Mounting Options



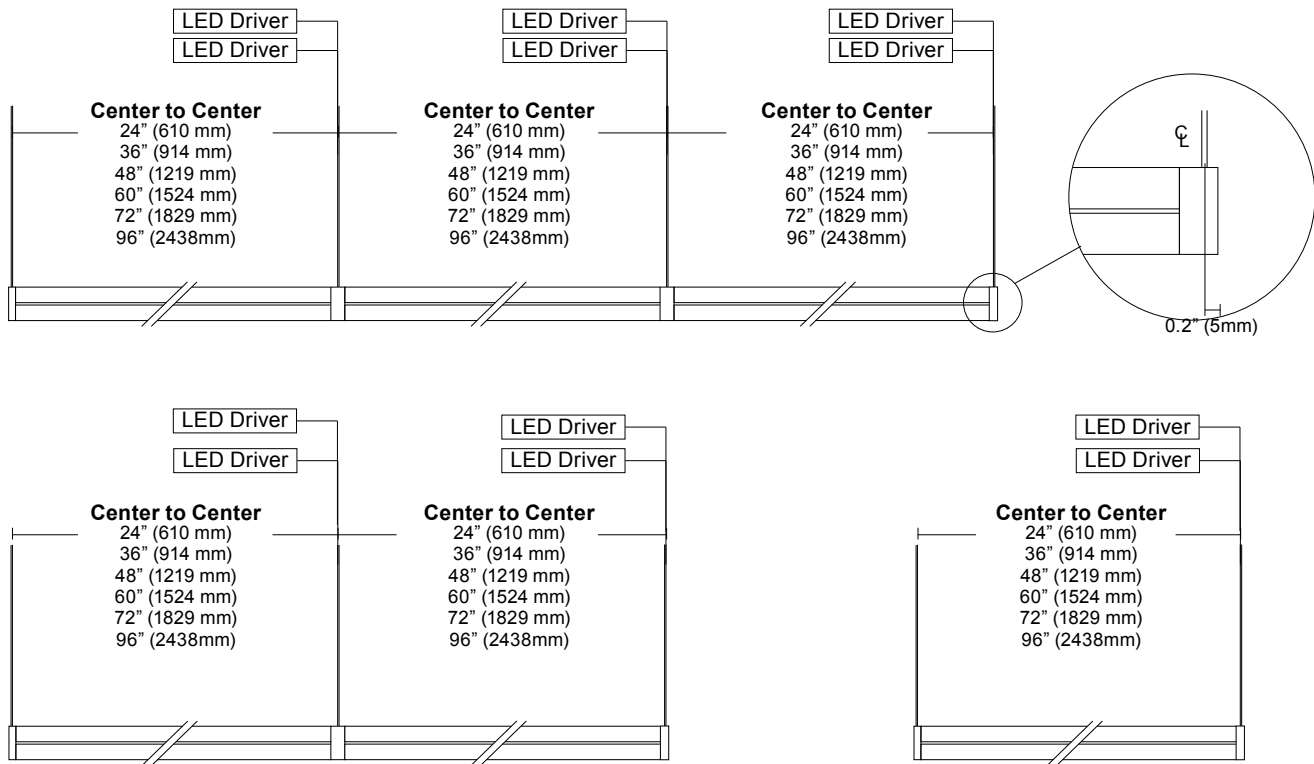
Small Round Canopy
Ø2.5" (51mm)

Large Round Canopy
Ø4.5" (114mm)

Integral Power (end) h 1.7" (43mm)
w 1.8" (46mm)

Integral Power (joint)

Layout



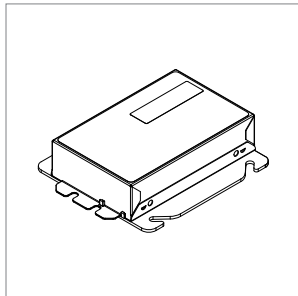
Corner and Shapes Available (Square, Rectangle, L-Shape, U-Shape, ZigZag) [See Guide](#) for details.

Power and Controls

Power Type	Class 2 (<60V output) constant current driver.
Dimming Controls	Dimming (0.1%, 1%), 0-10V, DALI, DMX, Hi-lume 1% are available. See Power Guide for details.
Input Voltage	120V - 277V, 50/60hz.
Power Location	Integral or remote power. Maximum remote distance up to 100' (30.5m) <i>depending on driver selection.</i> See Power Guide for details.

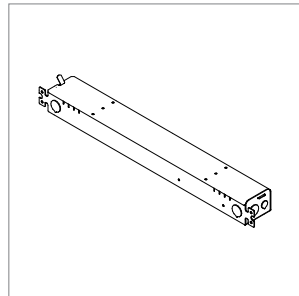
Vode power locations fall into two categories: integral and remote. Remote power is locating the power supply away from the fixture. Remote power comes in two housing styles: brick style and linear style. Consult [Power Guide](#) to determine which type you will receive. Integral power is locating the power supply into the lighting fixture or mounting.

Remote Brick Power Housing



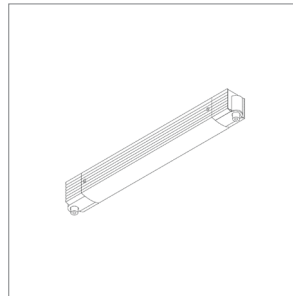
Supplied for some remote power applications. One remote power supply housing is supplied for each rail. Provided driver mounting plate fits standard 4" metal, square J-Boxes with a minimum volume of 21 in³ (J-Box not provided). See [Tech Sheet](#) for details.

Remote Linear Power Housing



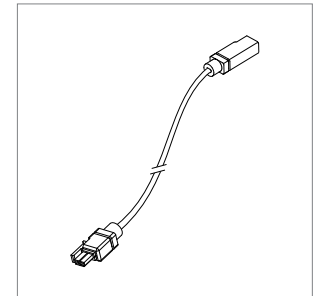
One remote power supply housing is supplied with each power supply. All Vode linear remote drivers come in a 0.054" (0.8mm) formed galvanized steel power supply housing with five (5) knockouts: (4) 1-1/8", (1) 7/8" and (1) 9/16". Accommodates standard linear power supplies. See [Tech Sheet](#) for details.

Integral Power



Houses integral power supply. Direct conduit feed is recommended, but integral power supply housing will mount to any standard North America 4" j-box. Mounts to most surfaces. Blocking is recommended at all arm junctions. See [Tech Sheet](#) for details.

Wire Harness

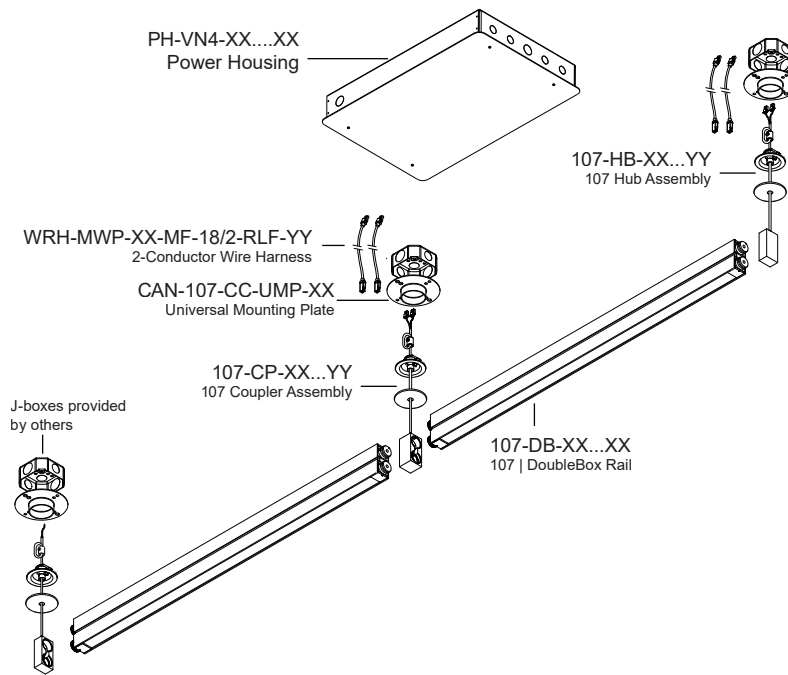


Wire harness connects driver to rail section. Lengths of 10' (3.0m) & 25' (7.6m) with snap-lock connectors for quick and easy installation. Multiple harnesses may be combined for lengths up to 100' (30.5m). See [Tech Sheet](#) for details.

Power and Controls

Flexible 1 to 1 power

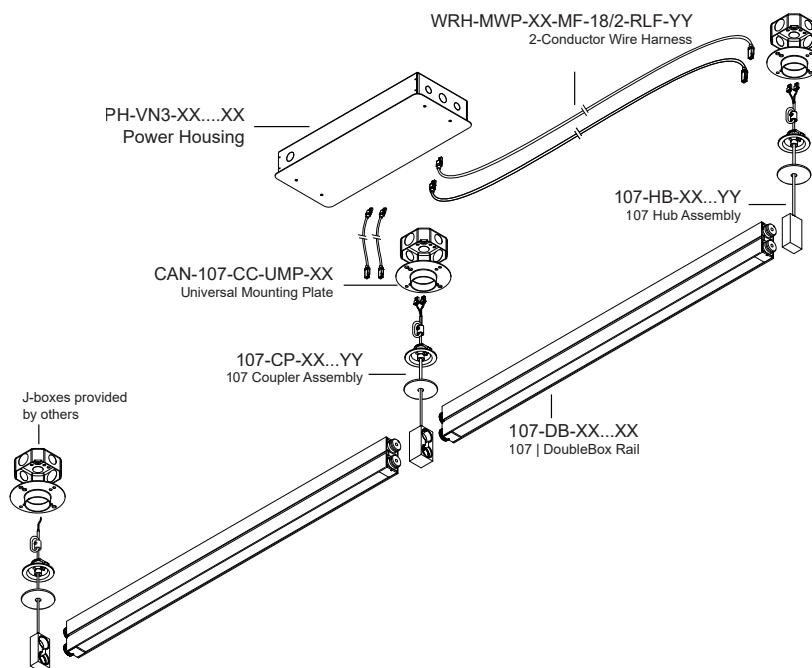
For Flexible 1 to 1 Power, Vode supplies one single output driver per fixture, allowing each fixture to be controlled independently. Direct/Indirect fixtures are supplied with two single output drivers, allowing the direct and indirect lighting to be controlled independently. Consult [Power Guide](#) to determine which type you will receive.



Optimized Power

To optimize power, Vode configures specifications with drivers that have 2 or 4 outputs. Depending on system configurations and power requirements, up to 4 fixtures can be powered from a 4-output driver. Consult [Power Guide](#) to determine which type you will receive.

IMPORTANT: Each fixture will still require individual wire harnesses, as shown below.



Note: Drawings not to scale, for reference only.

Finish

Clear Anodized Finish



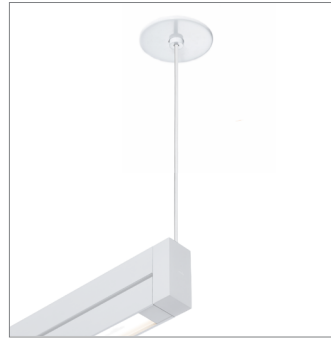
Clear Anodized Rail, White Canopy/Clear Anodized Integral Power, White Cable

Black Anodized Finish



Black Rail, Black Canopy/Integral Power, Black Cable

White Powder Coat Finish

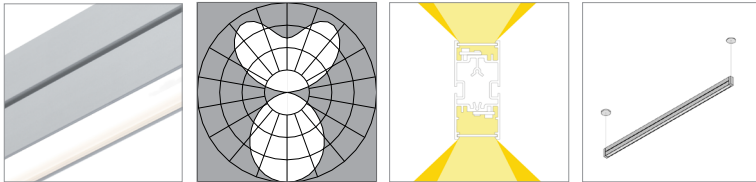


White Rail, White Canopy/Integral Power, White Cable

Performance | Zipper Board Optics

Zipper Board Optics design has 72 diodes per foot (305mm).

120° Batwing, up | Diffuse, down (G12)



L80 >60,000 hours

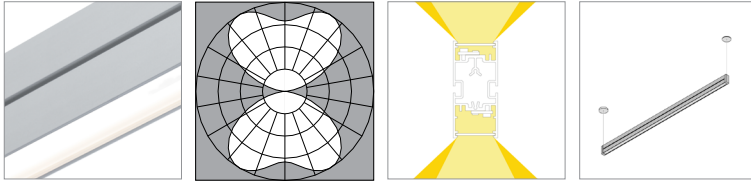
90 CRI (90min., 96 avg.)

	2700K	3000K	3500K	4000K
Low Output (LO)				
Efficacy - Lumens per Watt	87	90	92	93
Lumens per foot (305mm)	597	616	629	635
Watts per foot (305mm)	6.9	6.9	6.9	6.9
Standard Output (SO)				
Efficacy - Lumens per Watt	100	104	106	107
Lumens per foot (305mm)	1194	1232	1257	1270
Watts per foot (305mm)	12.0	12.0	12.0	12.0
High Output (HO)				
Efficacy - Lumens per Watt	93	96	98	99
Lumens per foot (305mm)	2269	2341	2389	2413
Watts per foot (305mm)	24.6	24.6	24.6	24.6

Performance | Zipper Board Optics

Zipper Board Optics design has 72 diodes per foot (305mm).

120° Batwing, up | 120° Flywing, down (G1G2)



L80 >60,000 hours

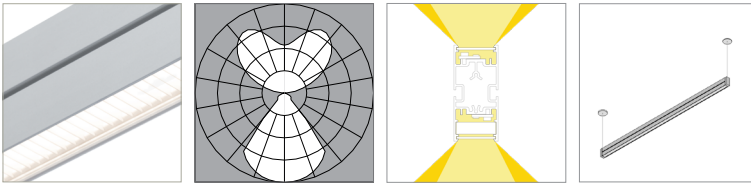
90 CRI (90min., 96 avg.)

Low Output (LO)	2700K	3000K	3500K	4000K
Efficacy - Lumens per Watt	95	97	99	100
Lumens per foot (305mm)	649	669	683	690
Watts per foot (305mm)	6.9	6.9	6.9	6.9

Standard Output (SO)	2700K	3000K	3500K	4000K
Efficacy - Lumens per Watt	109	112	115	116
Lumens per foot (305mm)	1297	1338	1366	1379
Watts per foot (305mm)	12.0	12.0	12.0	12.0

High Output (HO)	2700K	3000K	3500K	4000K
Efficacy - Lumens per Watt	101	104	106	107
Lumens per foot (305mm)	2465	2543	2594	2620
Watts per foot (305mm)	24.6	24.6	24.6	24.6

120° Batwing, up | White Baffle, down (G1WB)



L80 >60,000 hours

90 CRI (90min., 96 avg.)

Low Output (LO)	2700K	3000K	3500K	4000K
Efficacy - Lumens per Watt	75	77	79	80
Lumens per foot (305mm)	513	529	540	545
Watts per foot (305mm)	6.9	6.9	6.9	6.9

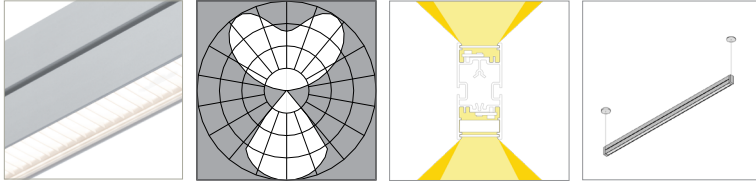
Standard Output (SO)	2700K	3000K	3500K	4000K
Efficacy - Lumens per Watt	86	89	91	92
Lumens per foot (305mm)	1026	1058	1080	1090
Watts per foot (305mm)	12.0	12.0	12.0	12.0

High Output (HO)	2700K	3000K	3500K	4000K
Efficacy - Lumens per Watt	80	82	84	85
Lumens per foot (305mm)	1948	2010	2051	2072
Watts per foot (305mm)	24.6	24.6	24.6	24.6

Performance | Zipper Board Optics

Zipper Board Optics design has 72 diodes per foot (305mm).

120° Batwing, up | Black Baffle, down (G1BB)



L80 >60,000 hours

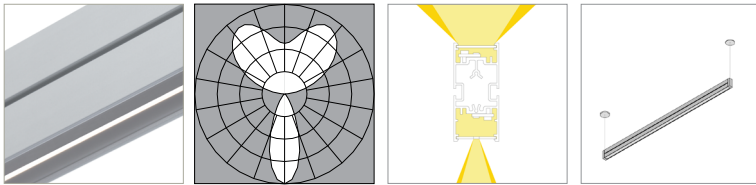
90 CRI (90min., 96 avg.)

Low Output (LO)	2700K	3000K	3500K	4000K
Efficacy - Lumens per Watt	62	64	65	66
Lumens per foot (305mm)	424	437	446	451
Watts per foot (305mm)	6.9	6.9	6.9	6.9

Standard Output (SO)	2700K	3000K	3500K	4000K
Efficacy - Lumens per Watt	71	74	75	76
Lumens per foot (305mm)	848	875	893	901
Watts per foot (305mm)	12.0	12.0	12.0	12.0

High Output (HO)	2700K	3000K	3500K	4000K
Efficacy - Lumens per Watt	66	68	70	70
Lumens per foot (305mm)	1611	1662	1696	1713
Watts per foot (305mm)	24.6	24.6	24.6	24.6

120° Batwing, up | 40° Symmetric, down (G1S1)



L80 >60,000 hours

90 CRI (90min., 96 avg.)

Low Output (LO)	2700K	3000K	3500K	4000K
Efficacy - Lumens per Watt	67	69	70	71
Lumens per foot (305mm)	456	471	480	485
Watts per foot (305mm)	6.9	6.9	6.9	6.9

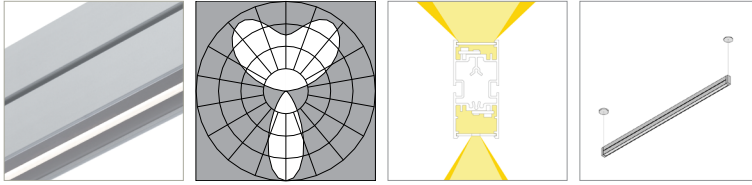
Standard Output (SO)	2700K	3000K	3500K	4000K
Efficacy - Lumens per Watt	77	79	81	82
Lumens per foot (305mm)	912	941	961	970
Watts per foot (305mm)	12.0	12.0	12.0	12.0

High Output (HO)	2700K	3000K	3500K	4000K
Efficacy - Lumens per Watt	71	73	75	76
Lumens per foot (305mm)	1734	1788	1825	1843
Watts per foot (305mm)	24.6	24.6	24.6	24.6

Performance | Zipper Board Optics

Zipper Board Optics design has 72 diodes per foot (305mm).

120° Batwing, up | 60° Symmetric, down (G1S2)



L80 >60,000 hours

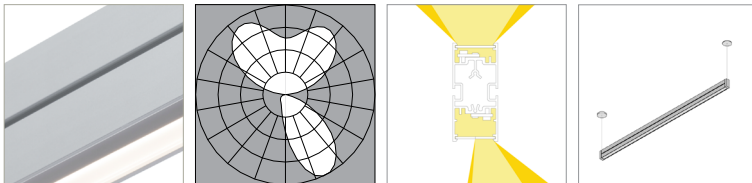
90 CRI (90min., 96 avg.)

Low Output (LO)	2700K	3000K	3500K	4000K
Efficacy - Lumens per Watt	74	76	77	78
Lumens per foot (305mm)	504	520	530	536
Watts per foot (305mm)	6.9	6.9	6.9	6.9

Standard Output (SO)	2700K	3000K	3500K	4000K
Efficacy - Lumens per Watt	85	87	89	90
Lumens per foot (305mm)	1007	1039	1061	1071
Watts per foot (305mm)	12.0	12.0	12.0	12.0

High Output (HO)	2700K	3000K	3500K	4000K
Efficacy - Lumens per Watt	79	81	83	83
Lumens per foot (305mm)	1914	1975	2015	2035
Watts per foot (305mm)	24.6	24.6	24.6	24.6

120° Batwing, up | 85° Asymmetric, down (G1A1)



L80 >60,000 hours

90 CRI (90min., 96 avg.)

Low Output (LO)	2700K	3000K	3500K	4000K
Efficacy - Lumens per Watt	74	76	78	79
Lumens per foot (305mm)	508	524	534	540
Watts per foot (305mm)	6.9	6.9	6.9	6.9

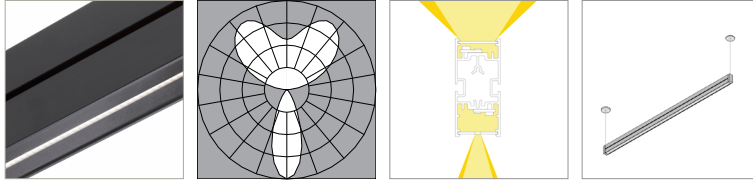
Standard Output (SO)	2700K	3000K	3500K	4000K
Efficacy - Lumens per Watt	85	88	90	91
Lumens per foot (305mm)	1015	1047	1069	1079
Watts per foot (305mm)	12.0	12.0	12.0	12.0

High Output (HO)	2700K	3000K	3500K	4000K
Efficacy - Lumens per Watt	79	82	83	84
Lumens per foot (305mm)	1929	1990	2031	2051
Watts per foot (305mm)	24.6	24.6	24.6	24.6

Performance | Zipper Board Optics

Zipper Board Optics design has 72 diodes per foot (305mm).

120° Batwing, up | 40° Symmetric, down, black finish (G1S1-BL)



L80 >60,000 hours

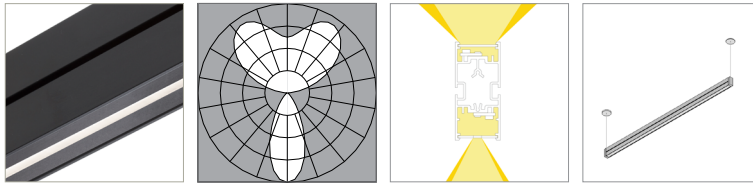
90 CRI (90min., 96 avg.)

Low Output (LO)	2700K	3000K	3500K	4000K
Efficacy - Lumens per Watt	61	63	64	65
Lumens per foot (305mm)	419	432	441	445
Watts per foot (305mm)	6.9	6.9	6.9	6.9

Standard Output (SO)	2700K	3000K	3500K	4000K
Efficacy - Lumens per Watt	71	73	74	75
Lumens per foot (305mm)	838	864	882	891
Watts per foot (305mm)	12.0	12.0	12.0	12.0

High Output (HO)	2700K	3000K	3500K	4000K
Efficacy - Lumens per Watt	65	67	69	70
Lumens per foot (305mm)	1592	1642	1676	1693
Watts per foot (305mm)	24.6	24.6	24.6	24.6

120° Batwing, up | 60° Symmetric, down, black finish (G1S2-BL)



L80 >60,000 hours

90 CRI (90min., 96 avg.)

Low Output (LO)	2700K	3000K	3500K	4000K
Efficacy - Lumens per Watt	64	66	67	68
Lumens per foot (305mm)	435	449	458	463
Watts per foot (305mm)	6.9	6.9	6.9	6.9

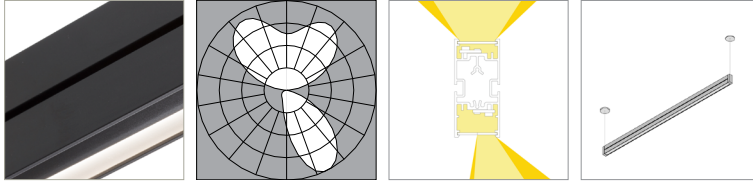
Standard Output (SO)	2700K	3000K	3500K	4000K
Efficacy - Lumens per Watt	73	76	77	78
Lumens per foot (305mm)	870	898	916	925
Watts per foot (305mm)	12.0	12.0	12.0	12.0

High Output (HO)	2700K	3000K	3500K	4000K
Efficacy - Lumens per Watt	68	70	71	72
Lumens per foot (305mm)	1653	1706	1740	1758
Watts per foot (305mm)	24.6	24.6	24.6	24.6

Performance | Zipper Board Optics

Zipper Board Optics design has 72 diodes per foot (305mm).

120° Batwing, up | 85° Asymmetric, down, black finish (G1A1-BL)



L80 >60,000 hours

90 CRI (90min., 96 avg.)

	2700K	3000K	3500K	4000K
Low Output (LO)				
Efficacy - Lumens per Watt	69	71	73	73
Lumens per foot (305mm)	472	487	497	502
Watts per foot (305mm)	6.9	6.9	6.9	6.9
Standard Output (SO)				
Efficacy - Lumens per Watt	80	82	84	85
Lumens per foot (305mm)	945	975	995	1004
Watts per foot (305mm)	12.0	12.0	12.0	12.0
High Output (HO)				
Efficacy - Lumens per Watt	74	76	78	78
Lumens per foot (305mm)	1795	1852	1890	1908
Watts per foot (305mm)	24.6	24.6	24.6	24.6

Copyright © 2025 Vode Lighting LLC. All rights reserved. Vode, the Vode logo, BoxRail, FlyWing, MicroBaffle, Button Board, Zipper Board, Zero Canopy, Zero Block, VodeNODE and other names are either registered trademarks or trademarks of Vode Lighting LLC in the United States and may be registered in other countries. All other trademarks listed herein belong to their respective owners. Due to ongoing innovation, specification details may change without notice.