

Spec Guide

# WingRail | Table Arm | 107



Task lighting for table, workstation, and carrel desk applications.



WingRail: direct or indirect, 370° rotation.

### Benefits & Features

#### Minimal Profile, Robust Design

Asymmetric profile, 1.14 in x 2.12 in.

#### Superior Light Quality & Performance

Output up to 1376 lm/ft (HO), 121 lm/W (HO). 90 CRI static & tunable white 2200K - 5000K. Custom ranges available upon request.

#### High Performance Optics

Break through Batwing lens designed for excellent fixture to fixture spacing.

#### Better Optics & Beam Control Options

Asymmetric distribution. White or black baffle, EdgeSoft™ lens or diffuse lens and narrow optics available. Directional control with 370° rotation, angle gauge and lock.



Arm Anchor®



Double Rail with Tee, Arm Anchor, Continuous System

## Build Your Specification

107-WG				TA	»
<b>System &amp; Rail Type</b>	Single/Double Rail	<b>System Length</b>	<b>Rail Length</b>	<b>Mounting</b>	<b>Arm Length</b>
107-WG WingRail	<b>01</b> Single Rail <b>03</b> Double Rail with 3" (76mm) Tee <b>06</b> Double Rail with 6" (152mm) Tee <b>12</b> Double Rail with 12" (305mm) Tee <b>ZZ</b> Other (please specify)	specify overall system length in ft/in or M/mm.  <i>Corner and Shapes Available See Guide for details.</i>	<b>24</b> 24" (610mm) <b>36</b> 36" (914mm) <b>48</b> 48" (1219mm) <b>60</b> 60" (1524mm) <b>ZZ</b> Other rail length or layout (please specify)	<b>TA</b> Table Arm	<b>18</b> 18" arm (457mm) <b>ZZ</b> Other (please specify) <sup>1</sup>
See <a href="#">Rail Length Chart</a> for more details. ⚠ <b>Custom lengths may result in light gaps on the fixture. See <a href="#">Rail Length Chart</a> for more details.</b>					

»					»
<b>Power Location</b>		<b>Power Type<sup>*</sup></b>	<b>Voltage</b>	<b>Emergency Power</b>	
Remote Power		<b>Flexible 1 to 1 Power</b>	<b>1</b> 120V <b>2</b> 120V - 277V <b>X</b> Not Yet Specified	<b>0</b> No Emergency Power <b>ZZ</b> Emergency Power (specify requirements)	
Specify mounting and harness length code example: <b>2T25, 2T50</b> ...etc.		<b>AE</b> 0-10V, 1.0% Dimming <b>AT</b> 0-10V, 0.1% Dimming <b>AD</b> DALI, 0.1% Dimming <b>AX</b> DMX, 100-0% Dimming <b>AH</b> Hi-lume 1% EcoSystem, Soft On / Fade to Black Technology, LDE <sup>1</sup> <b>AH2</b> ELV 1% 2-wire (Forward and Reverse Phase)			
<b>Mounting Option</b>	<b>Wire Harness</b>	<b>Optimized Power</b>			
2T Arm Anchor	<b>10</b> 10' (3.048m) Wire Harness <b>25</b> 25' (7.62m) Wire Harness <b>50</b> 50' (15.24m) Wire Harness <b>75</b> 75' (22.86m) Wire Harness <b>100</b> 100' (30.48m) Wire Harness	Add 'O' to power type example: AEO, ATO...etc. <sup>2</sup> VodeNODE Add 'N' to power type for Flexible 1 to 1 Power Add 'ON' to power type for Optimized Power example: AEN, ATN, AEON, ADON...etc. <sup>3</sup> <b>ZZ</b> Other (please specify)			
See <a href="#">Power Guide</a> for driver features & limitations.					

»		Z			
<b>LED Type</b>	<b>Lumen Output*</b>	<b>Color Temperature</b>	<b>Optics</b>	<b>Sensors</b>	
Z Zipper Board	<b>LO</b> Low Output <b>SO</b> Standard Output <b>HO</b> High Output <b>ZZ</b> Other (please specify)	<b>90+</b> CRI <b>27</b> 2700K <b>30</b> 3000K <b>35</b> 3500K <b>40</b> 4000K  <b>ZZ</b> Tunable White Available See <a href="#">Guide</a> for details.	<b>Zipper Board (Z)</b> <b>WB</b> White Baffle with EdgeSoft™ <b>BB</b> Black Baffle with EdgeSoft <b>C1</b> Clear with Edge Softening <b>D1</b> Diffuse	<b>0</b> None <b>ZZ</b> Other (specify requirements)	
See <a href="#">IES Files</a> page for details. See <a href="#">Power Guide</a> for driver features & limitations.					

»	
<b>Finish</b>	<b>Options</b>
<b>AL</b> Clear Anodized <b>WH</b> White Powder Coat <b>BL</b> Black Anodized <b>ZZ</b> Other (please specify)	<b>0</b> None <b>1</b> On/Off Switch <sup>4</sup> <b>9</b> 9' 18/3 Cord and Plug

### NOTES & LIMITATIONS

- <sup>1</sup> Arm lengths > 48" not recommended.
- <sup>2</sup> Optimized Power is not available with Hi-lume 1% EcoSystem (AHO) Power Type.
- <sup>3</sup> VodeNODE enclosure is not available with ELV 1% 2-wire (AH2) Power Type.
- <sup>4</sup> One On/Off Switch per LED Driver.

Standard 5 Year Limited Warranty. See details [here](#). Contact factory for options on Limited Warranties up to 20 years.

Listed to UL standards for damp location by a Nationally Recognized Testing Laboratory (NRTL) recognized by OSHA. Certain limitations exist for each Certification. Contact factory for verification.



# Applications

## Corporate, Educational, and Library



Saddleback College Library, Mission Viego, CA



Libbie Mill Library, Richmond, VA




Penn State University, Dickinson School of Law Library, University Park, PA

## Declare Label

All Vode Lighting linear light fixtures proudly carry the Red List Approved designation.

See [International Living Future Institute](https://www.livingfuture.org) website for details.



# Declare.

---

## Vode Adaptive Architectural Lighting Systems

### Vode Lighting LLC

**Final Assembly:** Sonoma, California, US  
**Life Expectancy:** 10+ Year(s)  
**End of Life Options:** Recyclable (100%)

**Ingredients:**

Anodized Aluminum (6063-T5 Alloy); Steel; Small Electrical Component (RoHS)<sup>1</sup>; Copper; **Fluorinated Ethylene Propylene (masterbatch)**<sup>2</sup>; Polymethyl methacrylate (PMMA); Stainless Steel; Polyoxymethylene Copolymer (POM); Styrene-butadiene polymer, hydrogenated; Poly(methyl methacrylate/butyl acrylate/styrene) (PMMA/BA/S); Styrene/butadiene copolymer; Distillates; Polypropylene; Calcium carbonate; Polycarbonate; EVA Copolymer; Methyl methacrylate (MMA); Polyphenylene Oxide; Brass; Tin, Organic

<sup>1</sup>LBC Temp Exception RL-002 - Small Electrical Components  
<sup>2</sup>LBC Temp Exception RL-023 - Wire Sheathing Subject to NFPA 90A, NFPA 262, UL® 910

**Living Building Challenge Criteria:** Compliant

**I-13 Red List:**

<input type="checkbox"/> LBC Red List Free	% Disclosed: 100% at 100ppm
<input checked="" type="checkbox"/> LBC Red List Approved	VOC Content: Not Applicable
<input type="checkbox"/> Declared	

**I-10 Interior Performance:** Not Applicable  
**I-14 Responsible Sourcing:** Not Applicable

VDE-0001  
 EXP. 01 JAN 2025  
 Original Issue Date: 2018

MANUFACTURER RESPONSIBLE FOR LABEL ACCURACY  
 INTERNATIONAL LIVING FUTURE INSTITUTE™ [living-future.org/declare](https://www.living-future.org/declare)



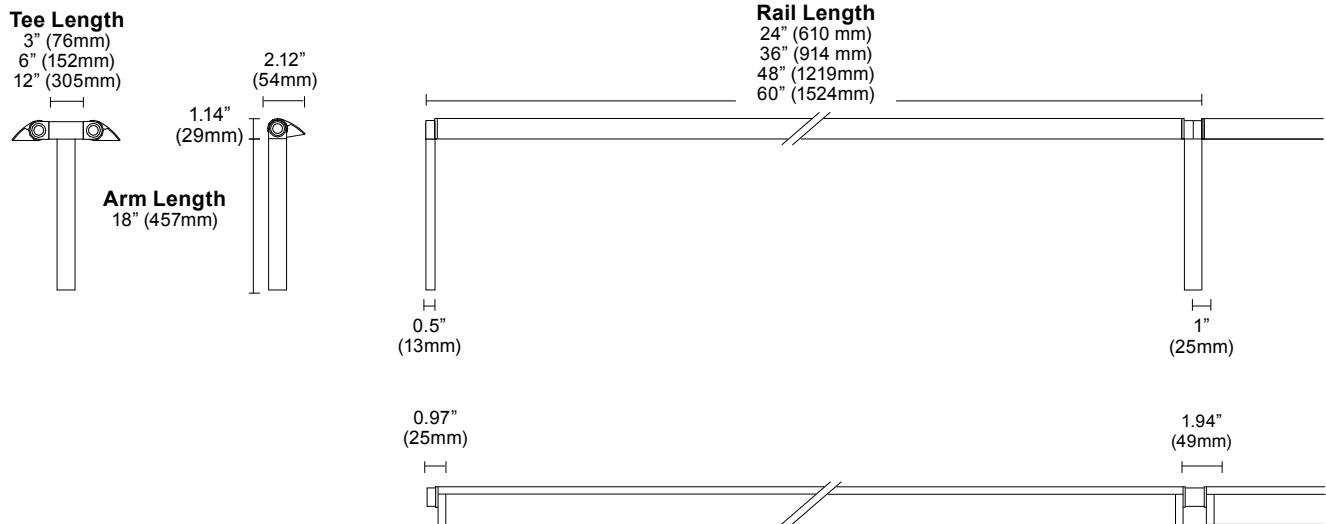
## Structure

Rail Lengths	24" (610mm) - 60" (1524mm). Modified lengths available. See <a href="#">Rail Length Chart</a> for more details.
Rail Dimensions	1.14" (29mm) x 2.12" (54mm) x length.
Construction	Extruded and machined 6063 aluminum. Clear anodized, black anodized, white painted and other finishes available.
Mounting	Table mount to Arm Anchor®.
Arm Length	18" (457mm). Non-standard arm lengths available. Arm lengths > 48" (1219mm) not recommended.
System Run Length	24" (610mm) minimum. Unlimited maximum.
Operating Temperature	32°F to 104°F (0°C to 40°C).
Humidity	0-85%, non-condensing.
Weight	1.04 lbs per ft (0.47kg per 305mm). Power supply and housing not included.

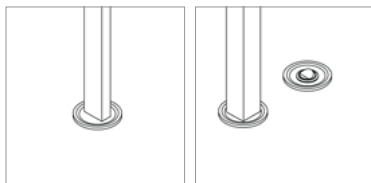
## Materials

LED Board Construction	Aluminum core PCB, black LCP connectors, RoHS compliant.
Clear Lens, Diffuse Lens	High-impact extruded acrylic glass (PMMA).
Baffle	6063 Aluminum, RoHS compliant painted finish.
Power Cable	Ø4mm, 18/2 AWG, Plenum (CMP) rated semi-rigid PVC or FEP, flame tested UL-910 (PVC free in 2020).
Cable Connectors	Unfilled black nylon, rated UL 94 V-0, halogen free, PVC or FEP overmold, RoHS compliant (PVC free in 2020).
Remote Linear Power Housing (RLP)	20.7" x 2.375" x 2.53", 0.054" formed Galvanized Steel.
Remote Brick Power Housing (RBP)	4.32" x 3.37" x .078" Galvanized Steel mounting plate.

## Dimensions



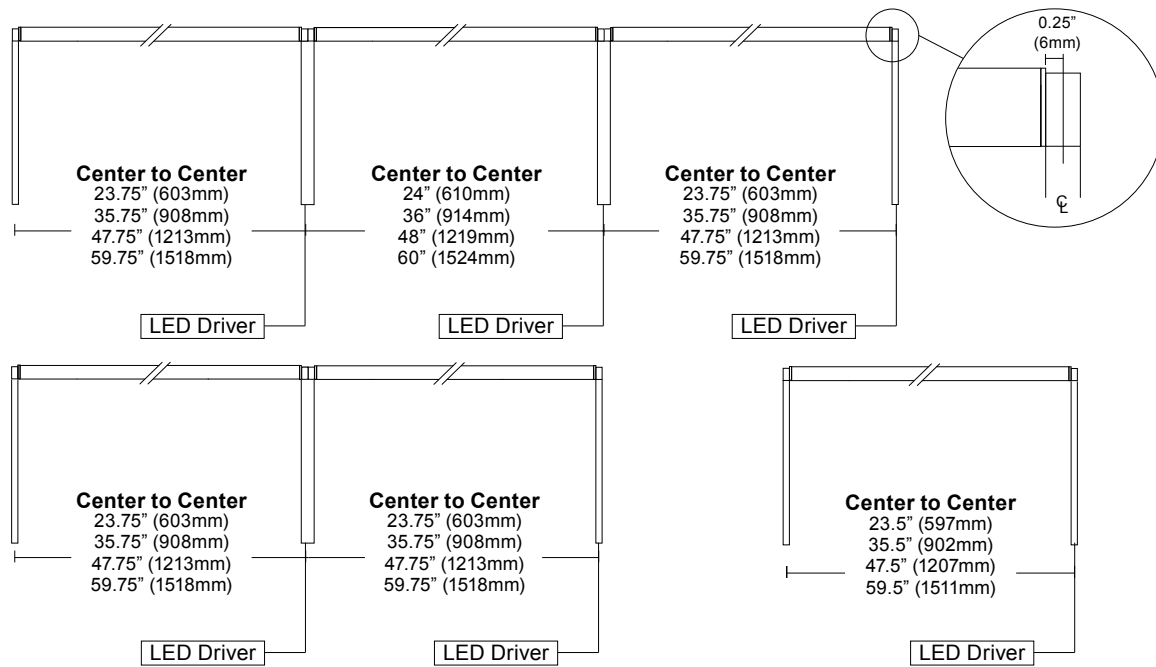
## Mounting Options



Arm Anchor®  
h0.1" (3mm)  
Ø2" (51mm)

On/Off Switch  
(optional)

## Layout



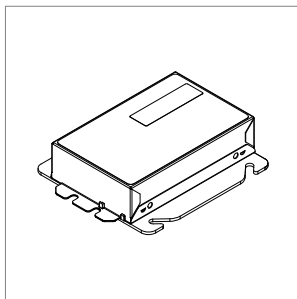
Corner and Shapes Available (Square, Rectangle, L-Shape, U-Shape, ZigZag) [See Guide](#) for details.

## Power and Controls

Power Type	Class 2 (<60V output) constant current driver.
Dimming Controls	Dimming (0.1%, 1%), 0-10V, DALI, DMX, Hi-lume 1% are available. <a href="#">See Power Guide</a> for details.
Input Voltage	120V - 277V, 50/60hz.
Power Location	Remote power. Maximum remote distance up to 100' (30.5m) depending on driver selection. <a href="#">See Power Guide</a> for details.

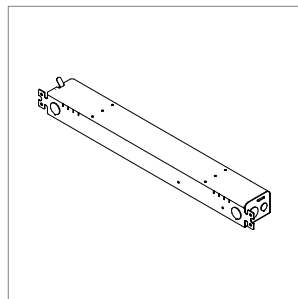
Remote power is locating the power supply away from the fixture. Remote power comes in two housing styles: brick style and linear style. Consult [Power Guide](#) to determine which type you will receive.

### Remote Brick Power Housing



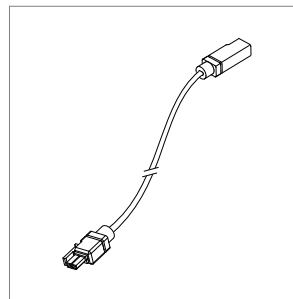
Supplied for some remote power applications. One remote power supply housing is supplied for each rail. Provided driver mounting plate fits standard 4" metal, square J-Boxes with a minimum volume of 21 in<sup>3</sup> (J-Box not provided). See [Tech Sheet](#) for details.

### Remote Linear Power Housing



One remote power supply housing is supplied with each power supply. All Vode linear remote drivers come in a 0.054" (0.8mm) formed galvanized steel power supply housing with five (5) knockouts: (4) 1-1/8", (1) 7/8" and (1) 9/16". Accommodates standard linear power supplies. See [Tech Sheet](#) for details.

### Wire Harness

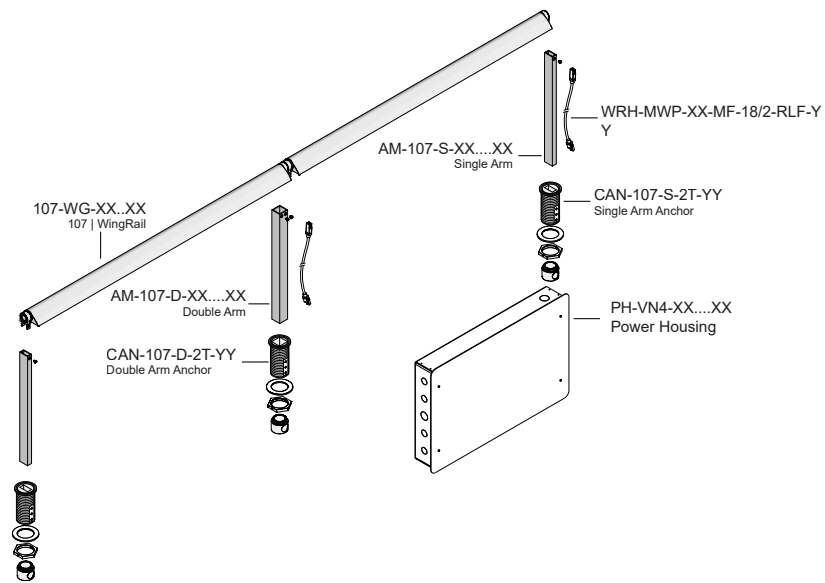


Wire harness connects driver to rail section. Lengths of 10' (3.0m) & 25' (7.6m) with snap-lock connectors for quick and easy installation. Multiple harnesses may be combined for lengths up to 100' (30.5m). See [Tech Sheet](#) for details.

## Power and Controls

### Flexible 1 to 1 power

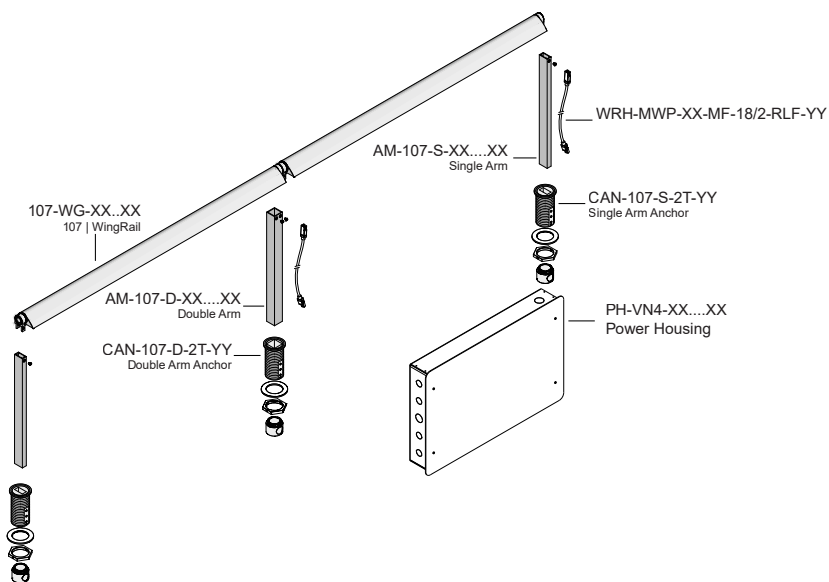
For Flexible 1 to 1 Power, Vode supplies one single output driver per fixture, allowing each fixture to be controlled independently. Direct/Indirect fixtures are supplied with two single output drivers, allowing the direct and indirect lighting to be controlled independently. Consult [Power Guide](#) to determine which type you will receive.



### Optimized Power

To optimize power, Vode configures specifications with drivers that have 2 or 4 outputs. Depending on system configurations and power requirements, up to 4 fixtures can be powered from a 4-output driver. Consult [Power Guide](#) to determine which type you will receive.

IMPORTANT: Each fixture will still require individual wire harnesses, as shown below.

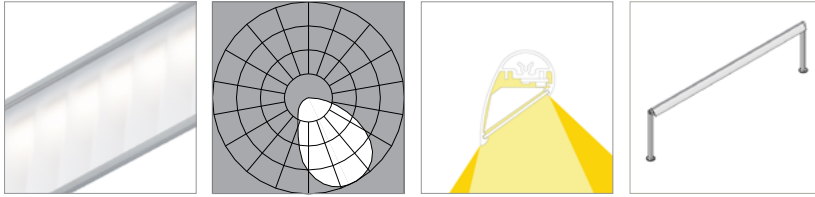


Note: Drawings not to scale, for reference only.

## Performance | Zipper Board Optics

Zipper Board Optics design has 72 diodes per foot (305mm).

### White Baffle with EdgeSoft™ (WB)



L80 >60,000 hours

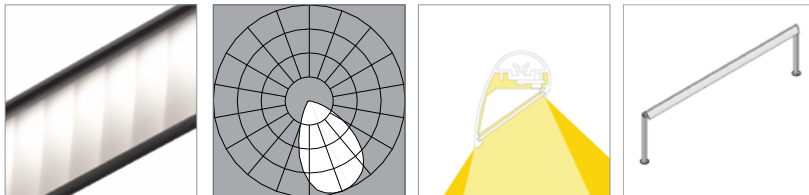
**90 CRI (90min., 96 avg.)**

<b>Low Output (LO)</b>	2700K	3000K	3500K	4000K
Efficacy - Lumens per Watt	79	82	83	84
Lumens per foot (305mm)	271	280	285	288
Watts per foot (305mm)	3.5	3.5	3.5	3.5

<b>Standard Output (SO)</b>	2700K	3000K	3500K	4000K
Efficacy - Lumens per Watt	91	94	96	97
Lumens per foot (305mm)	542	560	571	577
Watts per foot (305mm)	6.0	6.0	6.0	6.0

<b>High Output (HO)</b>	2700K	3000K	3500K	4000K
Efficacy - Lumens per Watt	84	87	89	90
Lumens per foot (305mm)	1031	1063	1085	1096
Watts per foot (305mm)	12.3	12.3	12.3	12.3

### Black Baffle with EdgeSoft™ (BB)



L80 >60,000 hours

**90 CRI (90min., 96 avg.)**

<b>Low Output (LO)</b>	2700K	3000K	3500K	4000K
Efficacy - Lumens per Watt	50	51	52	53
Lumens per foot (305mm)	170	175	179	180
Watts per foot (305mm)	3.5	3.5	3.5	3.5

<b>Standard Output (SO)</b>	2700K	3000K	3500K	4000K
Efficacy - Lumens per Watt	57	59	60	61
Lumens per foot (305mm)	339	350	357	361
Watts per foot (305mm)	6.0	6.0	6.0	6.0

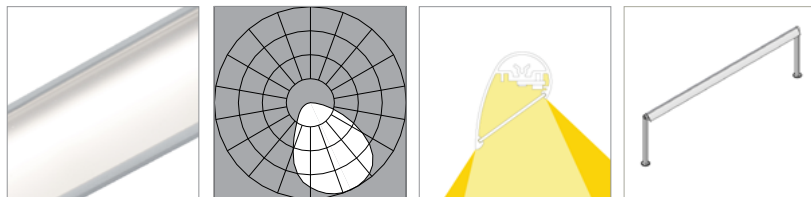
<b>High Output (HO)</b>	2700K	3000K	3500K	4000K
Efficacy - Lumens per Watt	53	55	56	56
Lumens per foot (305mm)	644	665	678	685
Watts per foot (305mm)	12.3	12.3	12.3	12.3



## Performance | Zipper Board Optics

Zipper Board Optics design has 72 diodes per foot (305mm).

Clear with EdgeSoft™ (C1)



L80 >60,000 hours

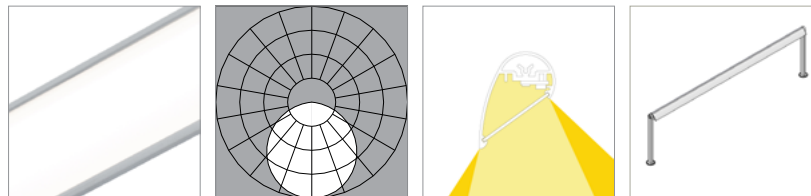
90 CRI (90min., 96 avg.)

Low Output (LO)	2700K	3000K	3500K	4000K
Efficacy - Lumens per Watt	95	98	100	101
Lumens per foot (305mm)	327	337	344	348
Watts per foot (305mm)	3.5	3.5	3.5	3.5

Standard Output (SO)	2700K	3000K	3500K	4000K
Efficacy - Lumens per Watt	109	113	115	116
Lumens per foot (305mm)	654	675	688	695
Watts per foot (305mm)	6.0	6.0	6.0	6.0

High Output (HO)	2700K	3000K	3500K	4000K
Efficacy - Lumens per Watt	102	105	107	108
Lumens per foot (305mm)	1243	1282	1308	1321
Watts per foot (305mm)	12.3	12.3	12.3	12.3

Diffuse (D1)



L80 is >60,000 hours

90 CRI (90min., 96 avg.)

Low Output (LO)	2700K	3000K	3500K	4000K
Efficacy - Lumens per Watt	68	70	72	73
Lumens per foot (305mm)	234	241	246	248
Watts per foot (305mm)	3.5	3.5	3.5	3.5

Standard Output (SO)	2700K	3000K	3500K	4000K
Efficacy - Lumens per Watt	78	81	83	83
Lumens per foot (305mm)	467	482	492	497
Watts per foot (305mm)	6.0	6.0	6.0	6.0

High Output (HO)	2700K	3000K	3500K	4000K
Efficacy - Lumens per Watt	73	75	77	77
Lumens per foot (305mm)	888	916	935	944
Watts per foot (305mm)	12.3	12.3	12.3	12.3

Copyright © 2025 Vode Lighting LLC. All rights reserved. Vode, the Vode logo, BoxRail, FlyWing, MicroBaffle, Button Board, Zipper Board, Zero Canopy, Zero Block, VodeNODE and other names are either registered trademarks or trademarks of Vode Lighting LLC in the United States and may be registered in other countries. All other trademarks listed herein belong to their respective owners. Due to ongoing innovation, specification details may change without notice.