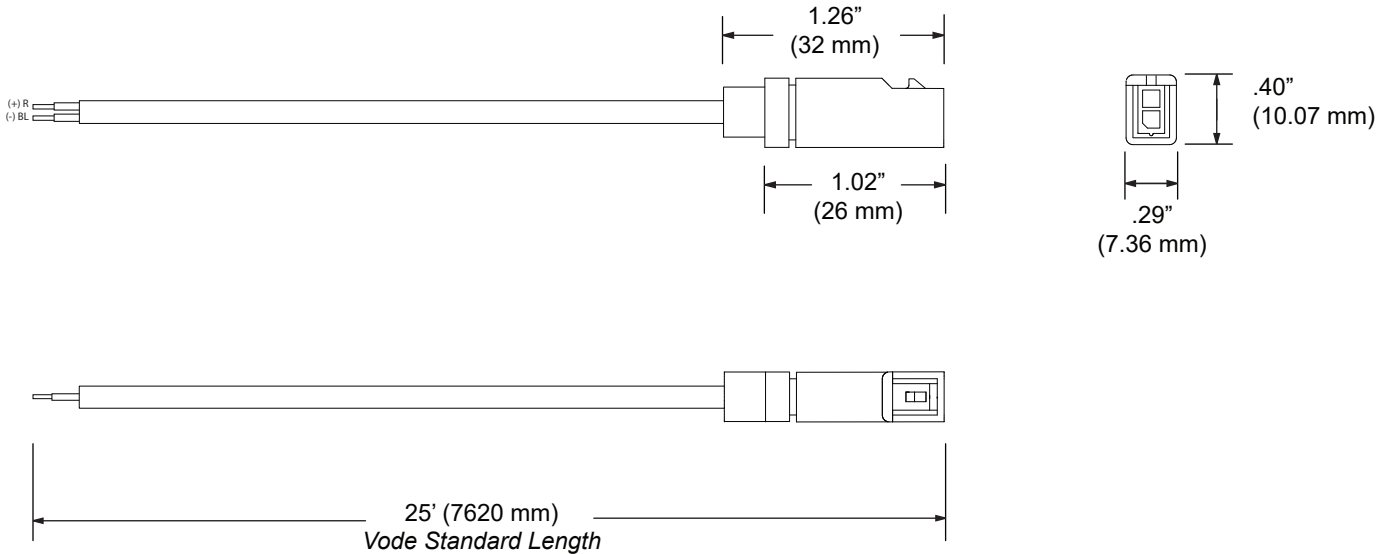
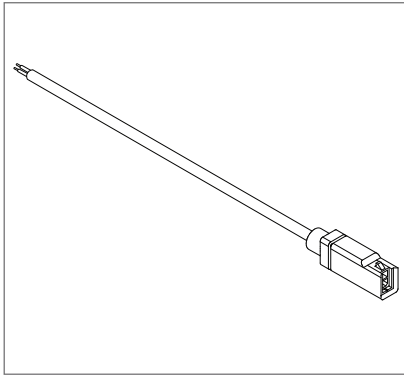


**Technical Sheet**

# Two Conductor Wire Harness

For use with all Vode systems

Low voltage wire harness connects driver to rail. One (1) pair of 18 AWG wires marked for (-)negative (black) and (+)positive (red) connections. Vode supplies one 25' (7.62m) wire harness per rail. Non-standard lengths available.



Part Number	<b>WRH-MWP-XX-M-18/2-BJ/WJ</b>	
Description	All systems, cable –18/2 AWG, plenum (CMP) rated, PVC, flame tested UL-910, connectors – black, glass filled nylon housings, rated UL 94 V-0, halogen free, PVC overmold, RoHS compliant, black (BJ) or white jacket (WJ)	
		12/6/2016
		Revision B

Copyright © 2016 Vode Lighting LLC. All rights reserved. The Vode logo and Vode are either registered trademarks or trademarks of Vode Lighting LLC in the United States and/or other countries. All other brand or product names are trademarks or registered trademarks of their respective owners. No part of the above drawing, design, arrangements or ideas thereon shall be duplicated or used for any purpose whatsoever without the express permission of Vode Lighting LLC. Due to ongoing innovation, specifications may change without notice.