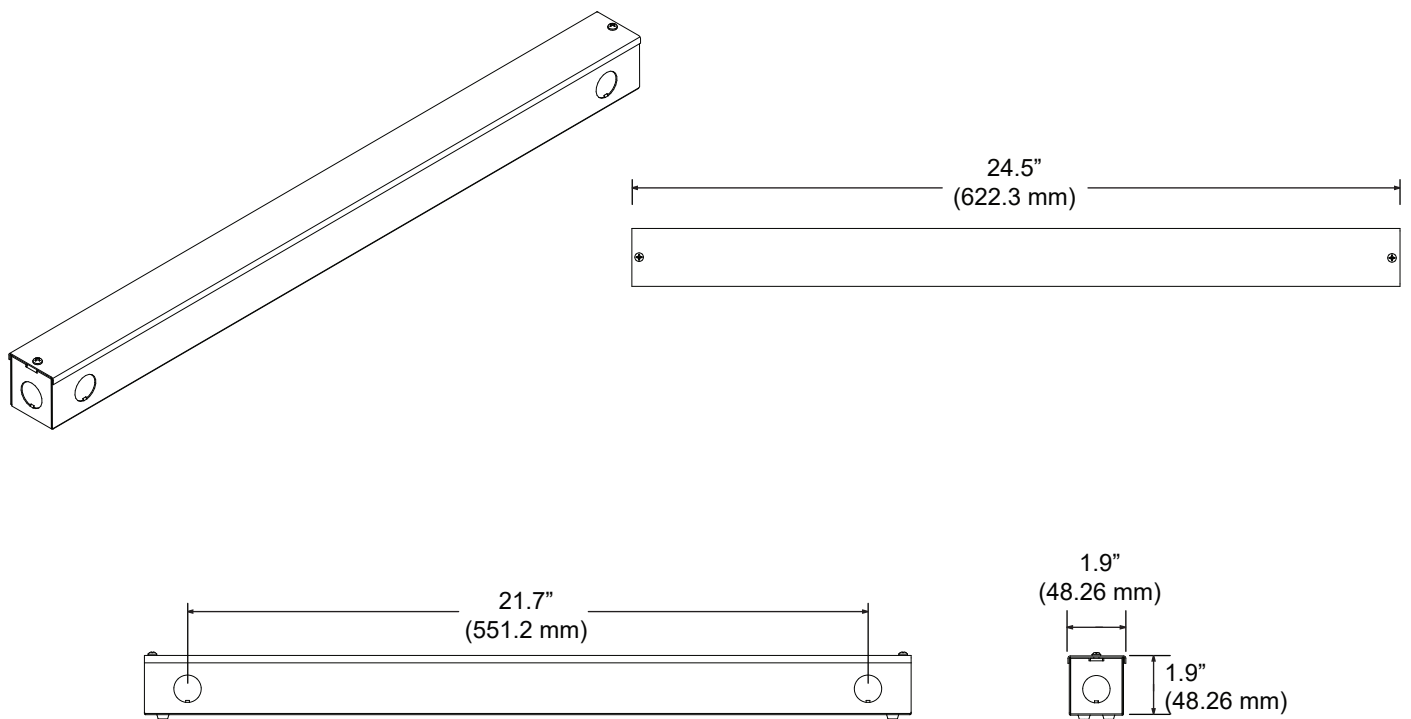
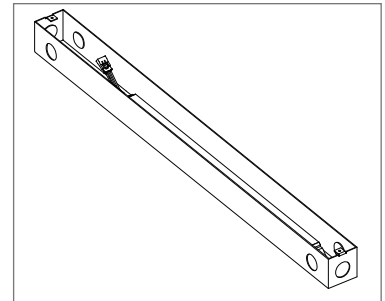


Technical Sheet

Remote Power Housing

For use with all Vode systems

Supplied for all remote power applications. One remote power supply housing is supplied for each power supply. Accommodates most standard, dimming and emergency power supplies.



Part Number	RLP-(Dimming)-(Lengths)-(Driver Brand)-(Wattage)-(mA)-(Output)-UNV
Description	All systems, 1/16" (0.8mm) formed steel, zinc chromate plating, six (6) knockouts for 1/2" NPT fittings

	12/1/2016
	Revision A

Copyright © 2016 Vode Lighting LLC. All rights reserved. The Vode logo and Vode are either registered trademarks or trademarks of Vode Lighting LLC in the United States and/or other countries. All other brand or product names are trademarks or registered trademarks of their respective owners. No part of the above drawing, design, arrangements or ideas thereon shall be duplicated or used for any purpose whatsoever without the express permission of Vode Lighting LLC. Due to ongoing innovation, specifications may change without notice.