

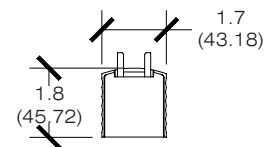
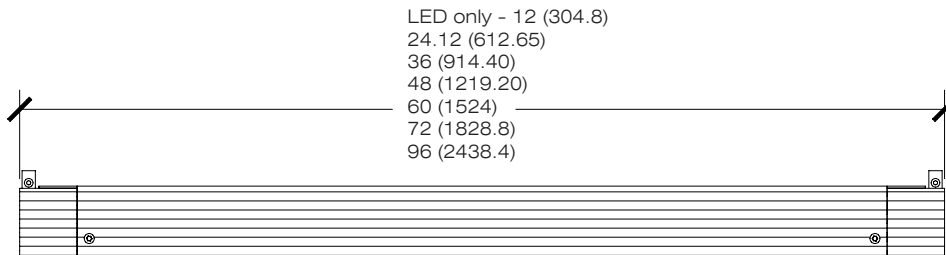
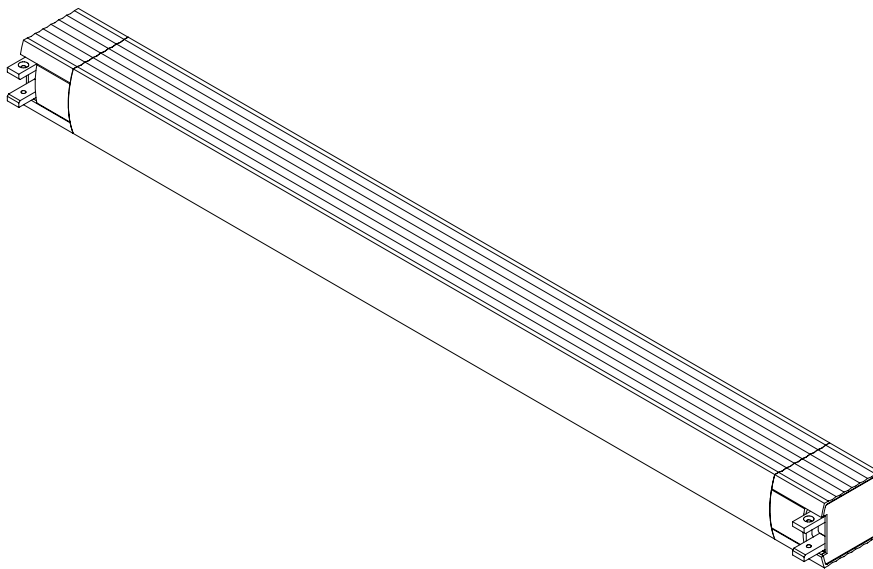
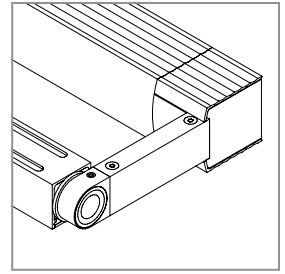
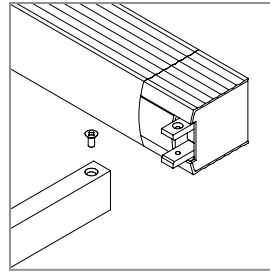


Integral Power Supply Housing / MLR System

For use with MLR System

Technical Sheet

Houses integral power supply for MLR System. Direct conduit feed is recommended, but integral power supply housing will mount to any standard North America 4" j-box. Mounts to most surfaces and accommodates most standard, dimming, and emergency ballasts. Blocking is recommended at all arm junctions. Variations in the flatness of the mounting surface can effect alignment of system. For long runs, Vode recommends that special attention be paid to the flatness of the mounting plane. Use Vode Strut for best results. Standard finish brushed aluminum.



PART NUMBER	100-BHS-(Length)-AL	Scale: 1:5 Unit: inches (mm) Drawn By: CB Date: 02/10/12
DESCRIPTION	100 Series, MLR System, integral power supply housing, aluminum finish	

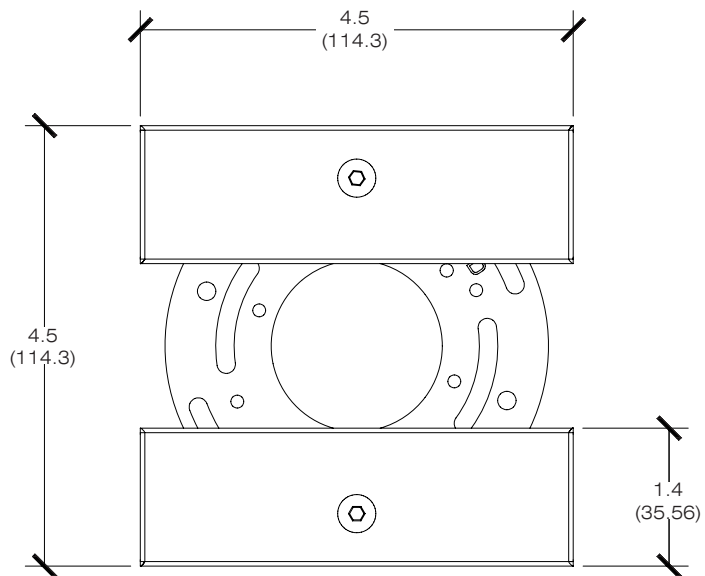
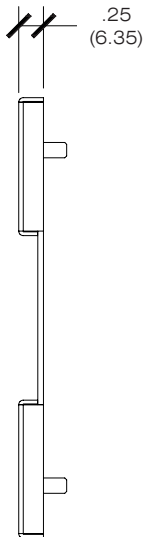
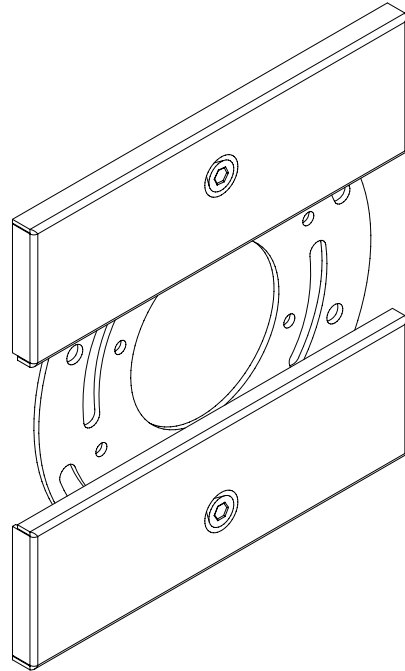
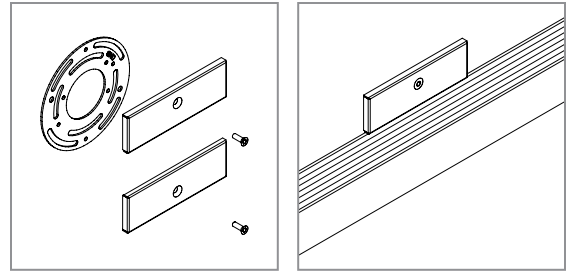


J-box Cover Plate / Integral Power Supply Housing

For use with MLR System

Technical Sheet

For use with MLR System integral power supply housing when mounted to any standard North America 4" j-box. Brushed aluminum finish standard.



PART NUMBER	100-CBH-4-AL	Scale: 1:2
DESCRIPTION	100 Series, MLR System, 4.5" j-box cover plate, integral power supply housing, aluminum finish.	Unit: inches (mm)
		Drawn By: CB
		Date: 02/10/12