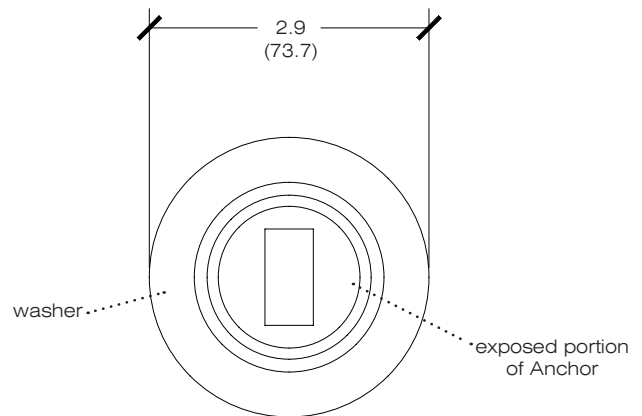
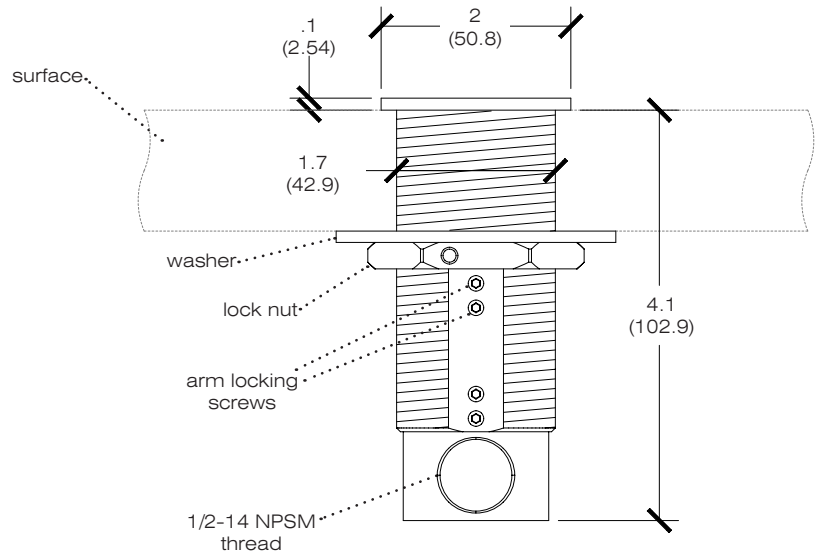
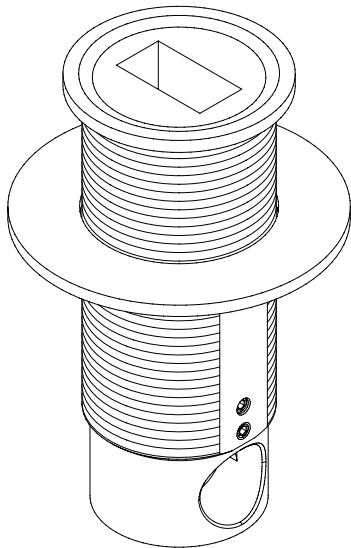
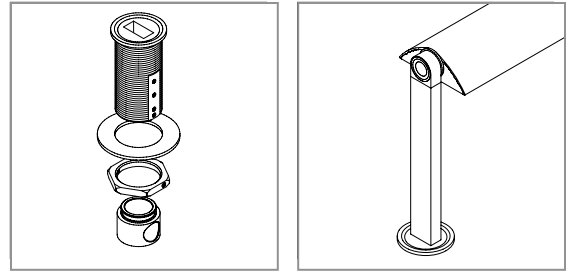




2" Arm Anchor / Single Arm

For use with MLR System
Technical Sheet

Mounts MLR System end sections to surface. Allows power feed through single arm. Mounts to work surface or similar from 1/8" to 21/4" thick. Fits hole size 111/16". 4.5" (114.3mm) is required behind mounting surface for proper installation. Vode recommends Arm Anchor for table mounted systems. Brushed aluminum finish standard.



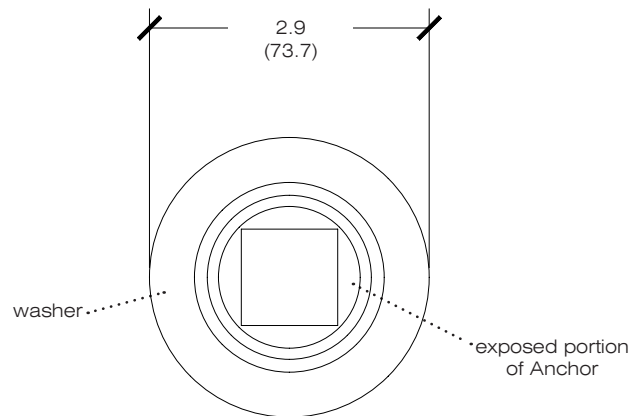
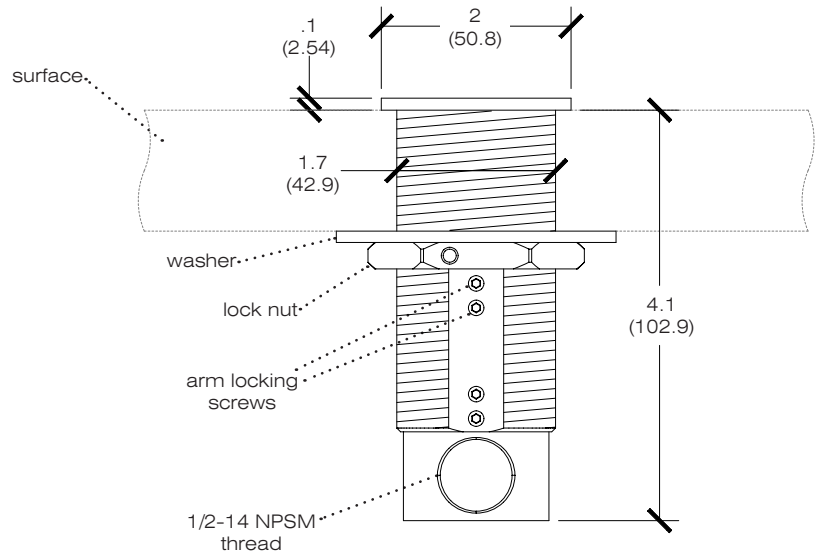
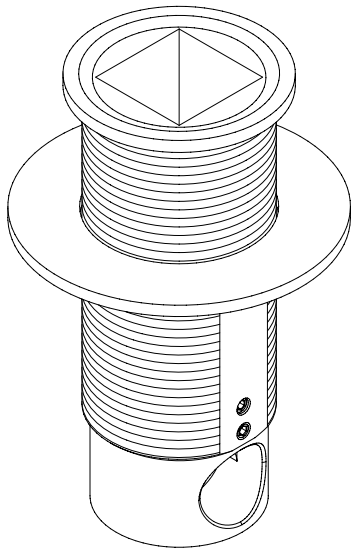
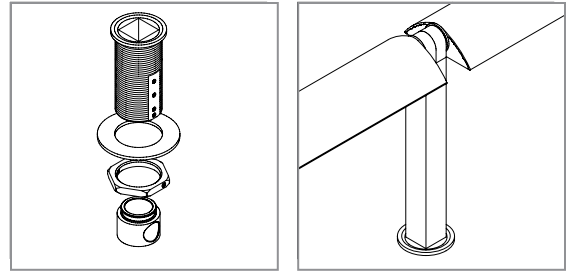
PART NUMBER	100-TAS-2-AL	Scale: 1:2 Unit: inches (mm) Drawn By: CB Date: 02/10/12
DESCRIPTION	100 Series, 2" arm anchor, single arm, aluminum finish.	



2" Arm Anchor / Double Arm

For use with MLR System, 400 Series
Technical Sheet

Mounts MLR System mid sections & 400 Series square arm to surface.
Mounts to work surface or similar from 1/8" to 21/4" thick. Fits hole size 111/16". 4.5" (114.3mm) is required behind mounting surface for proper installation. Vode recommends Arm Anchor for table mounted systems. Brushed aluminum finish standard.



PART NUMBER	100-TAD-2-AL	Scale: 1:2 Unit: inches (mm) Drawn By: CB Date: 02/10/12
DESCRIPTION	100 Series, 400 Series, 2" arm anchor, double arm, aluminum finish.	