

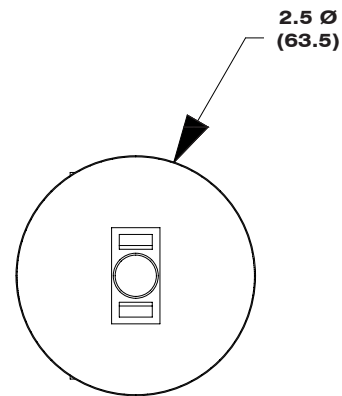
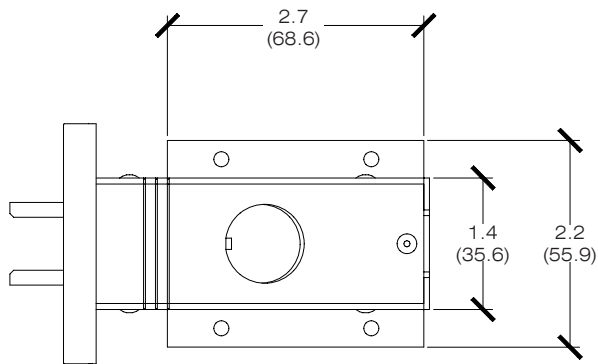
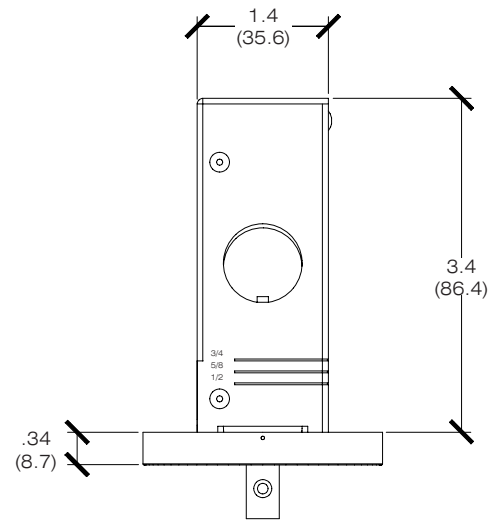
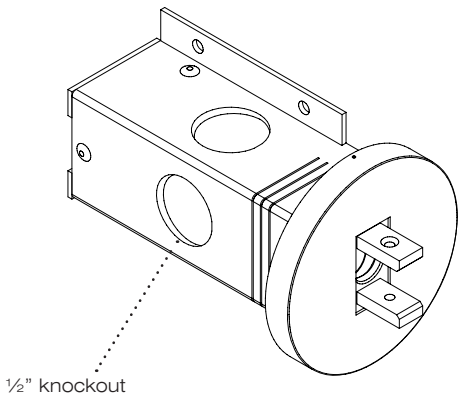
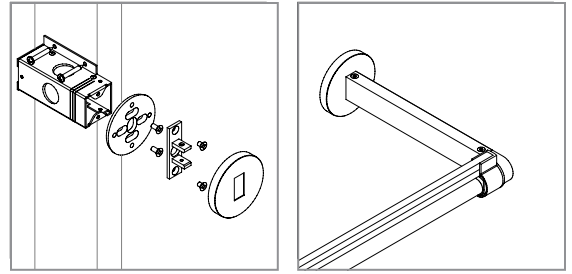


2.5" Round Canopy / Single Arm

For use with MLR System

Technical Sheet

Mounts MLR System end sections to surface. Includes all-steel Vode j-box, complete with four 1/2" knockouts. Before mounting, determine applicable sheet rock thickness indicator on side of j-box. To ensure stability of system, use wood screws (provided) to mount Vode j-box to sturdy blocking. Standard canopy finish brushed aluminum.



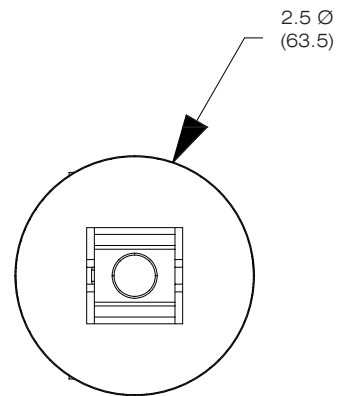
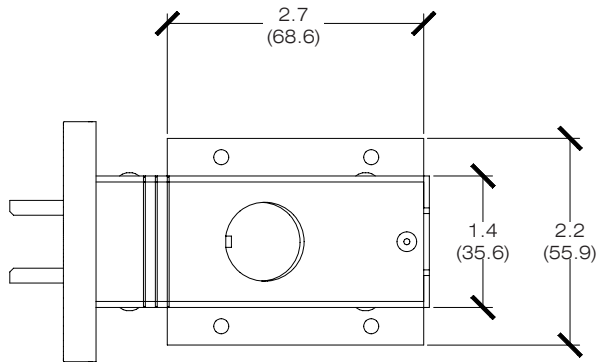
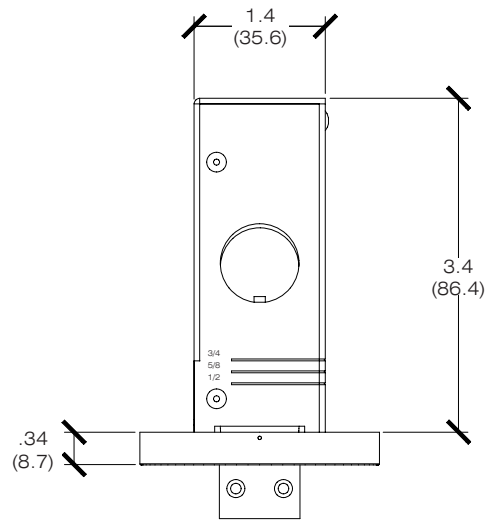
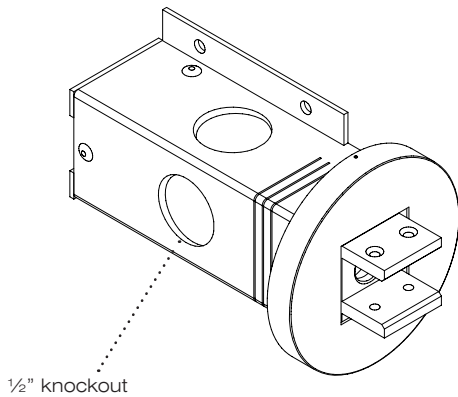
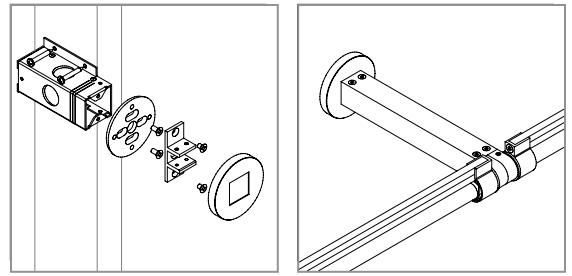
PART NUMBER	100-CRS-2-AL	Scale: 1:2 Unit: inches (mm) Drawn By: CB Date: 02/10/12
DESCRIPTION	100 Series, 2.5" round canopy, single arm, aluminum finish.	



2.5" Round Canopy / Double Arm

For use with MLR System, 400 Series
Technical Sheet

Mounts MLR System mid sections & 400 Series square arm to surface. Includes all-steel Vode j-box, complete with four 1/2" knockouts. Before mounting, determine applicable sheet rock thickness indicator on side of j-box. To ensure stability of system, use wood screws (provided) to mount Vode j-box to sturdy blocking. Standard canopy finish brushed aluminum.



PART NUMBER	100-CRD-2-AL	Scale: 1:2 Unit: inches (mm) Drawn By: CB Date: 02/10/12
DESCRIPTION	100 Series, 400 Series, 2.5" round canopy, double arm, aluminum finish.	