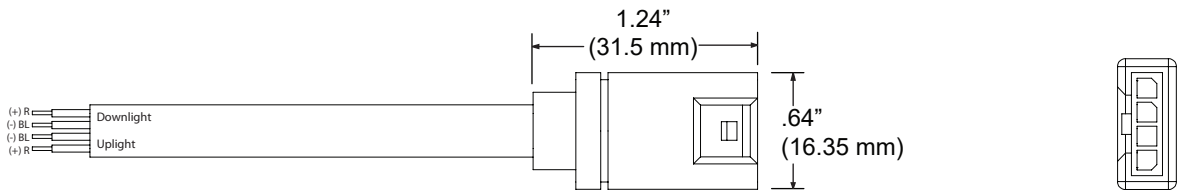
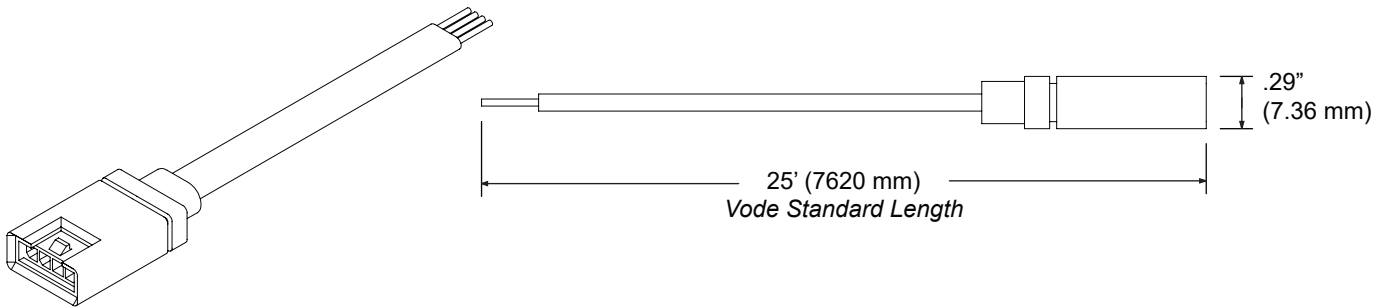
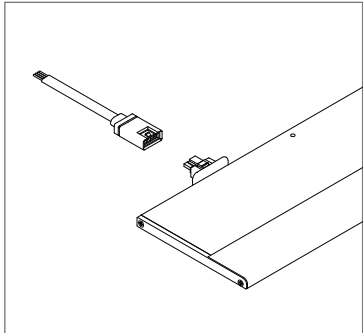


Technical Sheet

Four Conductor Wire Harness

For use with the ZipThree™ | 707

Low voltage wire harness connects driver to ZipThree | 707 direct/indirect rail. Two (2) pair of 18 AWG wires marked for (-)negative (black) and (+)positive (red) connections. Vode supplies one 25' (7.62m) wire harness per rail. Non-standard lengths available.



Part Number	WRH-707-MWP-XX-M-18/4-WJ	
Description	707 system, cable –18/4 AWG, plenum (CMP) rated, PVC, flame tested UL-910 connectors – black, glass filled nylon housings, rated UL 94 V-0, halogen free, PVC overmold, RoHS compliant, white jacket	
		12/1/2016
		Revision A

Copyright © 2016 Vode Lighting LLC. All rights reserved. The Vode logo and Vode, ZipThree names, are either registered trademarks or trademarks of Vode Lighting LLC in the United States and/or other countries. All other brand or product names are trademarks or registered trademarks of their respective owners. No part of the above drawing, design, arrangements or ideas thereon shall be duplicated or used for any purpose whatsoever without the express permission of Vode Lighting LLC. Due to ongoing innovation, specifications may change without notice.