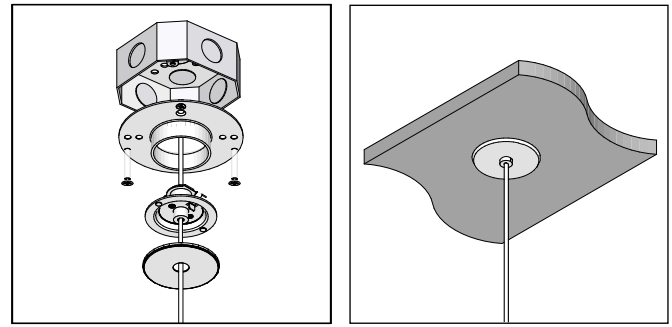




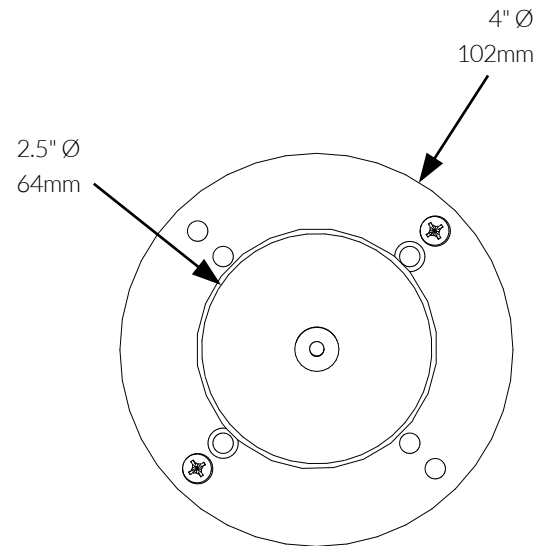
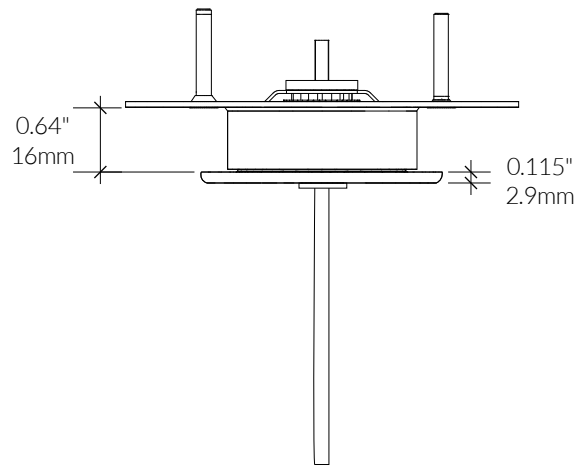
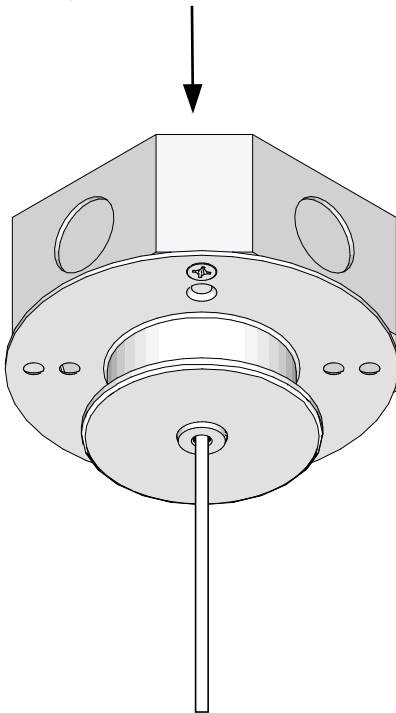
LED - 2.5" Canopy / Suspension

For use with 100 Series / MLR System LED
 Technical Sheet

Mounts 100 Series MLR System LED suspension systems to ceiling. Mounts to any standard North America 4" j-box unless system. Mounting hardware designed for 5/8" drywall. Equipped with quick release mounting feature and field adjustable strain relief. Standard canopy finish brushed aluminum.



standard North America j-box
 provided by others



PART NUMBER	107-BX RR DB-CC-48 96 144-CR2-P-AL	Scale: 1:2
DESCRIPTION	100 Series LED, 2.5" round canopy, power cord, aluminum finish, for BoxRail, RaceRail, and DoubleBox LED suspension.	Unit: inches (mm)
		Drawn by: LS
		Date: 09/25/2013