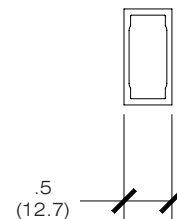
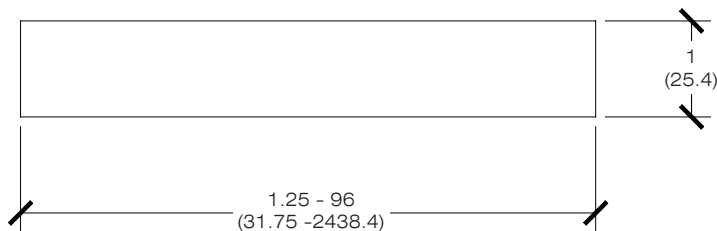
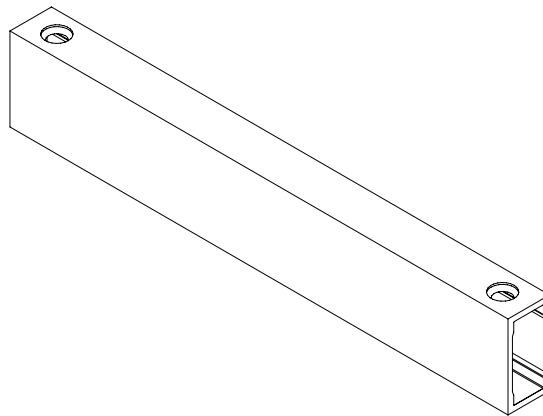
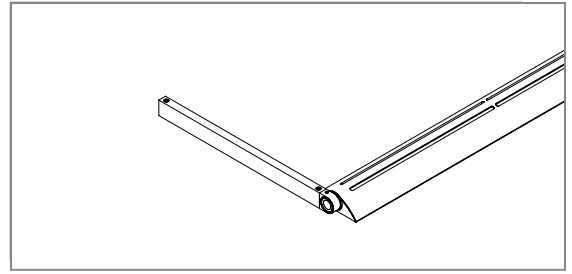




Single Arm

For use with MLR System & MLR Bus System Technical Sheet

Connects mounting hardware to rails at system end sections and allows concealed power feed. Single arms supplied in pairs. Wall mounted, single rail systems with arms 18" or longer are supplied with cable tie-back support. Wall mounted, double rail systems with arms longer than 12" are supplied with cable tie-back support. Vode recommends table mounted systems not exceed a projection of 48," but ceiling mounted systems can project up to 96." Brushed aluminum finish standard.



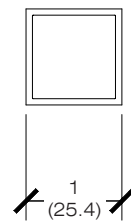
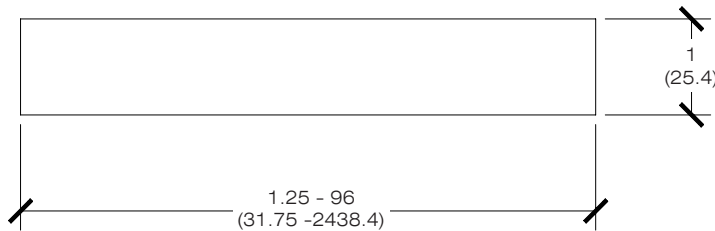
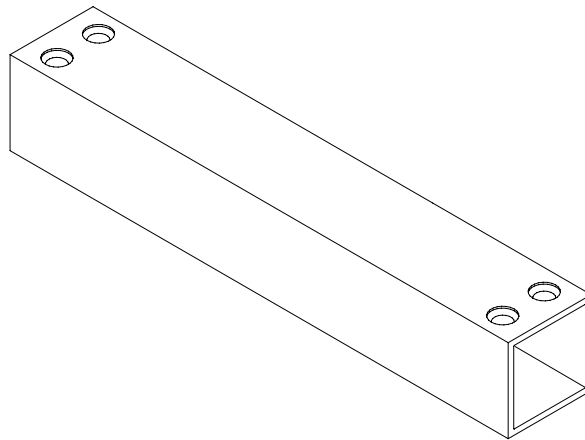
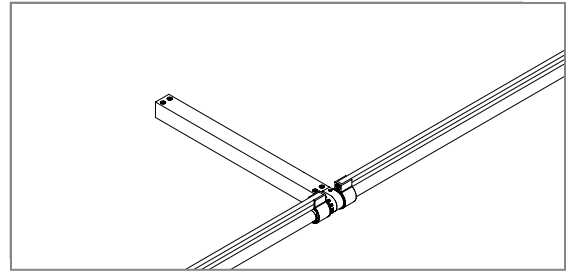
PART NUMBER	100-ASZ-(Length)-AL	Scale: 1:2
DESCRIPTION	100 Series, single arm (2), aluminum finish.	Unit: inches (mm)
		Drawn By: CB
		Date: 11/07/12



Double Arm

For use with MLR System & MLR Bus System Technical Sheet

Connects mounting hardware to rails at system mid sections and allows concealed power feed. Wall mounted, single rail systems with arms 18" or longer are supplied with cable tie-back support. Wall mounted, double rail systems with arms longer than 12" are supplied with cable tie-back support. Vode recommends table mounted systems not exceed a projection of 48," but ceiling mounted systems can project up to 96." Brushed aluminum finish standard.



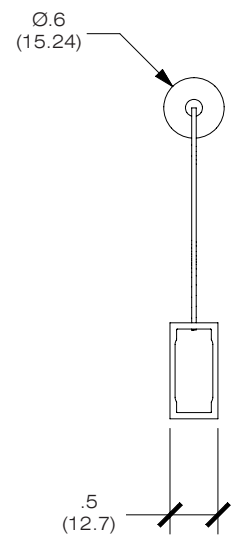
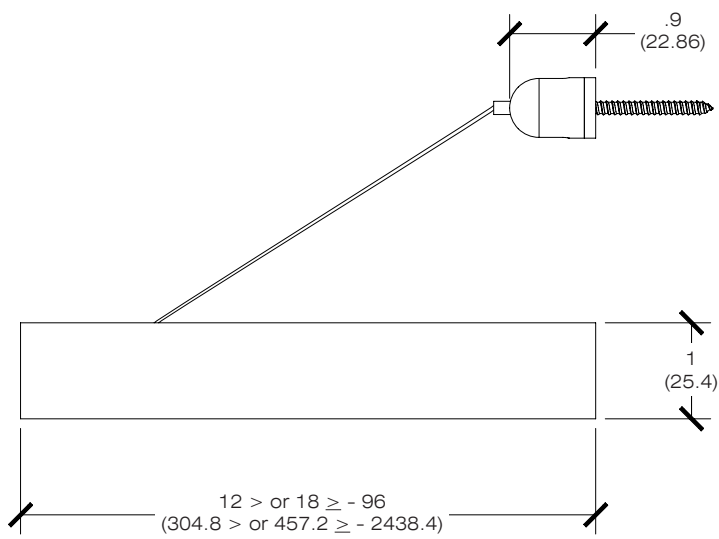
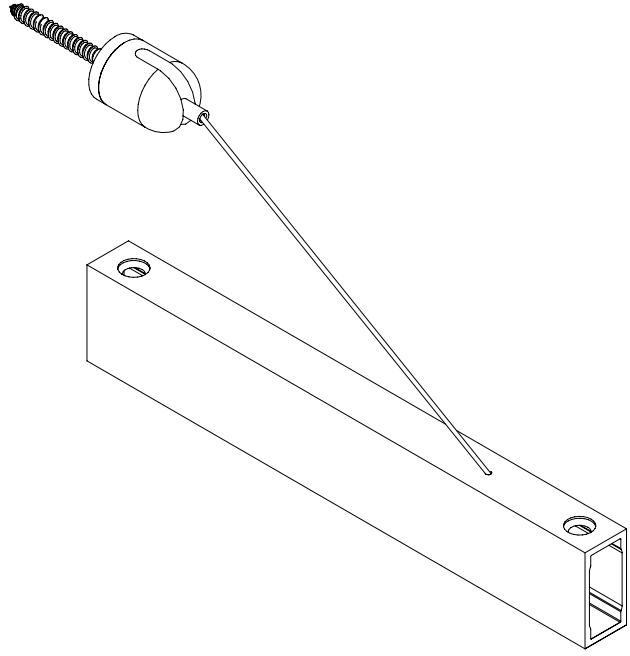
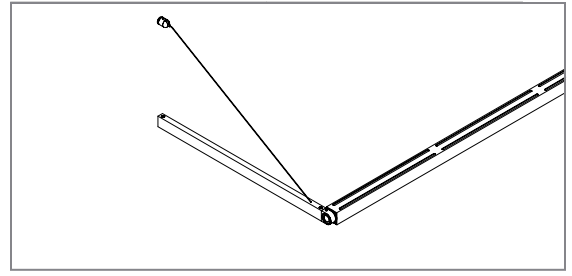
PART NUMBER	100-ADZ-(Length)-AL	Scale: 1:2 Unit: inches (mm) Drawn By: CB Date: 11/07/12
DESCRIPTION	100 Series, double arm, aluminum finish.	



Single Arm w/ Cable Tie-Back

For use with MLR System & MLR Bus System
Technical Sheet

Used for WALL MOUNTED SYSTEMS ONLY. Connects mounting hardware to rails at system end sections and allows concealed power feed. Single arms supplied in pairs. Wall mounted, single rail systems with arms 18" or longer are supplied with cable tie-back support. Wall mounted, double rail systems with arms longer than 12" are supplied with cable tie-back support. Wall mounted systems can project up to 96" with cable tie-back. Brushed aluminum finish standard.



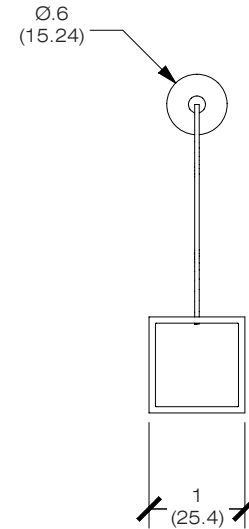
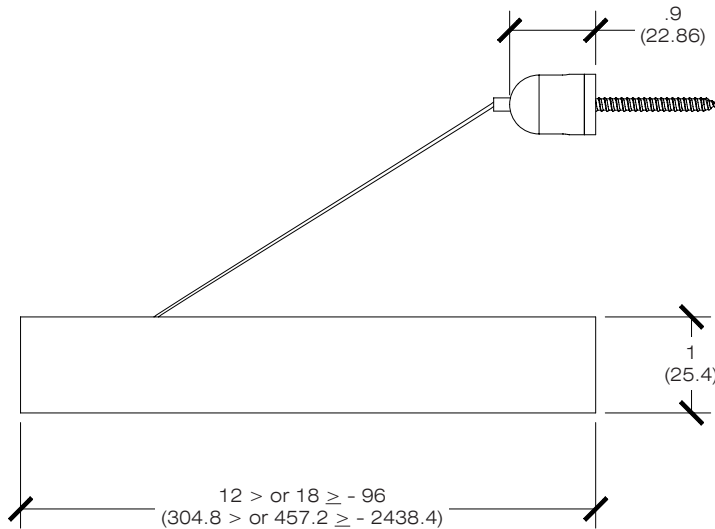
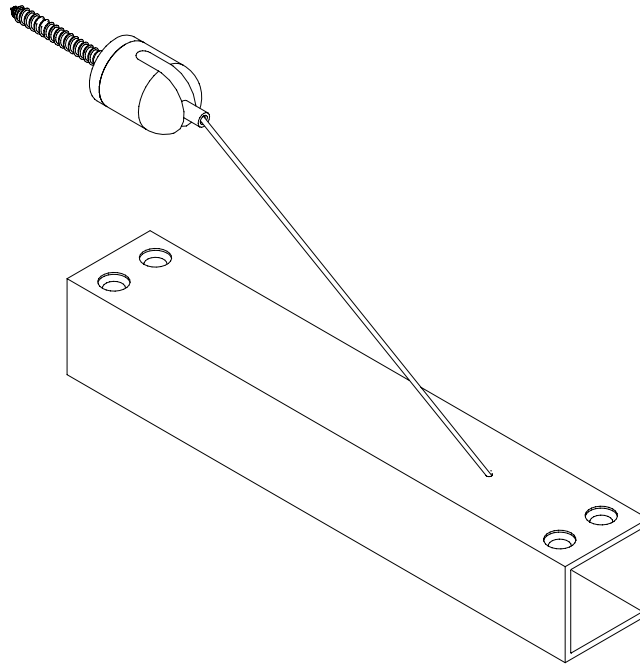
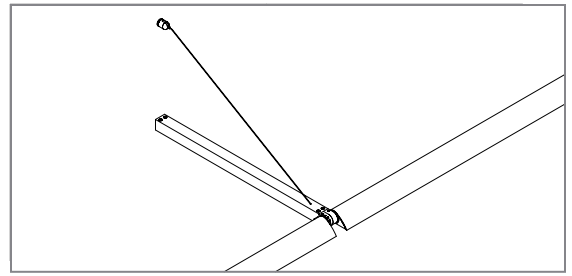
PART NUMBER	100-ASD-(Length)-AL	Scale: 1:2 Unit: inches (mm) Drawn By: CB Date: 11/07/12
DESCRIPTION	100 Series, single arm w/ cable tie-back (2), aluminum finish.	



Double Arm w/ Cable Tie-Back

For use with MLR System & MLR Bus System
Technical Sheet

Used for WALL MOUNTED SYSTEMS ONLY. Connects mounting hardware to rails at system mid sections and allows concealed power feed. Wall mounted, single rail systems with arms 18" or longer are supplied with cable tie-back support. Wall mounted, double rail systems with arms longer than 12" are supplied with cable tie-back support. Wall mounted systems can project up to 96" with cable tie-back. Brushed aluminum finish standard.



PART NUMBER	100-ADD-(Length)-AL	Scale: 1:2 Unit: inches (mm) Drawn By: CB Date: 11/07/12
DESCRIPTION	100 Series, double arm w/ cable tie-back, aluminum finish.	