



DISCONTINUED
Call your local Vode rep or
Vode Sales Support to order.
(707) 996-9898

Spec Guide

RaceRail™ | Wall | LED | 207

Accent lighting for corporate, hospitality and educational applications.



RaceRail, direct or indirect, 370° rotation.

Benefits & Features

Super Slim Design

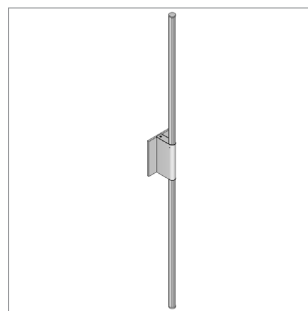
Round profile, Ø1.12" (28mm), 370° rotation, angle gage and lock.

Superior Light Quality & Performance

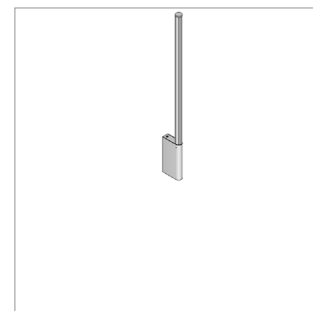
Up to 97 lm/W, 1092 lm/ft (3276 lm/m) and 95 CRI at 3000K.
Variety of beam control options.

ADA Compliant

3.8" (97mm) projection.



Shown: Double Rail with Canopy



Shown: Single Rail


Structure


Lengths	Single-sided length: 30.5" (775mm). Double-sided length: 54.5" (1384mm).
Rail Dimension	Ø1.12" (28mm).
Construction / Finish	Extruded and machined 6063 aluminum. Brushed Aluminum (stock), black anodized, white painted and non-standard finishes available.
Mounting	Wall mount to jbox with cover plate or direct wire without cover plate.

Power / Controls

Power Type	Class 2 (<60v output) constant current driver.
Controls	Non-dimming, dimming (1%, 10%). 0-10v, DALI, DMX, Lutron™ available for most configurations. See Driver Guide for details.
Input Voltage	120v, 240v, 277v, 50/60hz.
Power Location	Remote power. Maximum remote distance up to 72' (22m) depending on driver selection. See Driver Guide for details.
Emergency Power	Available for select drivers only. See Driver Guide or consult factory for details.

Light

Zipper Board™	Standard Output				High Output							
	2700K	3000K	3500K	4000K	2700K	3000K	3500K	4000K				
 <p>72 diodes per foot (305mm)</p>	Efficacy - Lumens per Watt		Clear Lens		86	90	94	97	77	80	83	87
			Diffuse Round Lens		77	80	83	87	69	72	75	78
			Diffuse Flat Lens		72	75	78	81	64	67	69	72
	Lumens per Foot (305mm) ²		Clear Lens		531	554	577	600	968	1008	1050	1092
			Diffuse Round Lens		473	493	514	534	873	909	947	985
			Diffuse Flat Lens		445	463	483	502	813	847	882	917
	Watts per Foot (305mm) ²				6	6	6	6	13	13	13	13
	CRI				>80 min, 85 avg.				>80 min, 85 avg.			
	Lumen Maintenance ³				60,000 hours L80 @25°C				60,000 hours L80 @25°C			

Button Board™	Standard Output				High Output							
	2700K	3000K	3500K	4000K	2700K	3000K	3500K	4000K				
 <p>6 diodes per foot (305mm)</p>	Efficacy - Lumens per Watt		Clear Lens		71	74	77	80	64	66	69	72
	Lumens per Foot (305mm) ²		Clear Lens		485	506	527	548	738	769	801	833
	Center Beam Candela ²		Clear Lens		-	-	737@0°	-	-	-	1127@0°	-
	Watts per Foot (305mm) ²				7	7	7	7	12	12	12	12
	CRI				>90 min, 95 avg (3000K), >80, 85 avg (all others)				>90 min, 95 avg (3000K), >80, 85 avg (all others)			
	Lumen Maintenance ³				60,000 hours L80 @25°C				60,000 hours L80 @25°C			

NOTES & LIMITATIONS

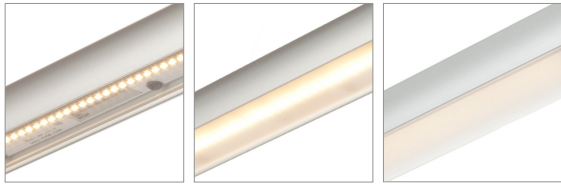
¹Based on testing 4' rail section. Lumen measurement complies with IES-LM-79-08 testing procedures.

²L80 = 80% lumen maintenance (when light output drops below 80% of initial output). Ambient luminaire temperatures specified. Lumen maintenance calculations are based on lifetime prediction graphs supplied by LED source manufacturers. Calculations for white-light LED fixtures are based on measurements that comply with IES-LM-80-08 testing procedures.

3

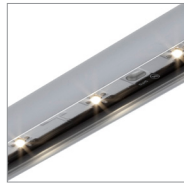
DISCONTINUED
To order, call
(707) 996-9898

Zipper Board: Lens



Clear Lens Flat Diffuse Lens Round Diffuse Lens

Button Board: Lens

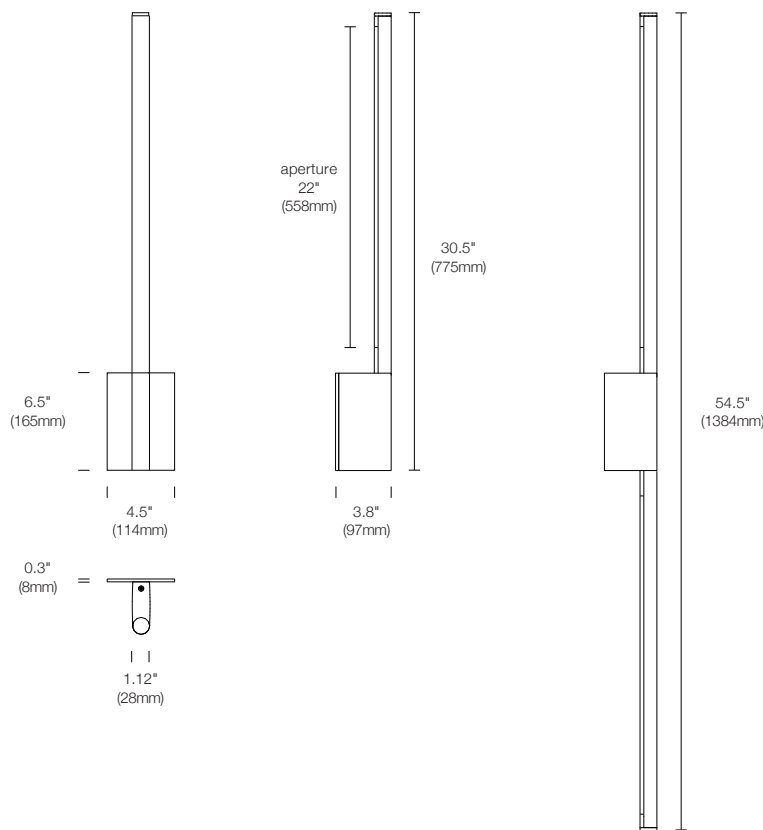


Clear Lens

Materials

LED Board Construction	Aluminum MCPCB, PPT connectors, RoHS compliant.
Clear Lens	High-impact extruded acrylic glass (PMMA).
Diffuse Lens	High-impact extruded acrylic glass (PMMA).
Power Cable	Ø4mm, 18/2 AWG, plenum (CMP) rated semi-rigid PVC, flame test rated UL-910.
Cable Connectors	Unfilled black Nylon, rated UL 94 V-0, halogen free, PVC overmold, RoHS compliant.
Remote Power Housing	1/16" (0.8mm) formed steel, zinc chromate plating.

Dimensions



5 Year Limited Warranty. All material and component parts used in the manufacture of Vode products are warranted to be free from defects of material and/or workmanship for a period of 5 years from date of sale. Product must be installed according to Vode installation instructions and accepted trade practices. Power supplies and other auxiliary equipment is not covered under Vode warranty but may be covered by separate OEM warranty. See full Vode warranty description [here](#).

Listed to UL standards for dry location by a Nationally Recognized Testing Laboratory (NRTL) recognized by

DISCONTINUED
To order, call
(707) 996-9898

Build Your Specification

		CW			
--	--	-----------	--	--	--

System & Rail Type	Length	Mounting	Power Location	Power Type ¹	Voltage
207-RR Sconce LED, Single Rail with RaceRail	02 30.5" (775mm)	CW Wall	Remote Power RP No Jbox Cover Plate RC Jbox Cover Plate	AA Non-dimming AE 0-10v, 10% dimming AT 0-10v, 1% dimming AD DALI, 1% dimming AH Lutron Hi-Lume, 1% dimming AM DMX, control dimming Z Other (please specify)	1 120v 2 277v 4 240v
217-RR Sconce LED, Double Rail with RaceRail	04 54.5" (1384mm)				

--	--	--	--	--

LED Type	Lumen Output	Color Temperature	Optics	Finish
Z Zipper Board B Button Board	SO Standard Output HO High Output	27 2700K 30 3000K 35 3500K 40 4000K Z Non-standard Color Temperature (please specify)	Zipper Board (Z) 0 Clear Lens 1 Diffuse Flat Lens 2 Diffuse Round Lens Z Other (please specify) Button Board (B) 0 Clear Lens Z Other (please specify)	AL Brushed Aluminum (stock) WH White Painted Finish BL Black Anodized Aluminum Z Non-standard Finish (please specify)

NOTES & LIMITATIONS

¹Some drivers may not be compatible with your specification. See [Driver Guide](#) for details.

DISCONTINUED
To order, call
(707) 996-9898