



Adaptive architectural lighting systems

Type

Project



DISCONTINUED
 Call your local Vode rep or
 Vode Sales Support to order.
 (707) 996-9898

Spec Guide

QueRail™ | Stack Mount | T5 | 115

Direct lighting for library stack and display applications.



QueRail, direct or indirect, 370° rotation.

Benefits & Features

Low Profile Symmetric Design

Symmetric profile, 1.17" (30mm) x 3.24" (82mm), 370° rotation, angle gage and lock.

Superior Light Quality & Performance

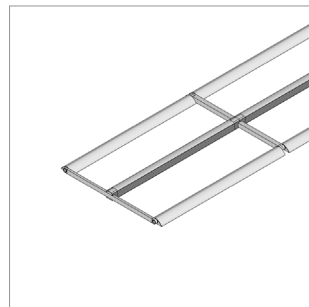
For HE & HO lamps. 78% efficacy. Extruded aluminum reflector with optional baffle or prismatic lens.

Adaptive Power Modules

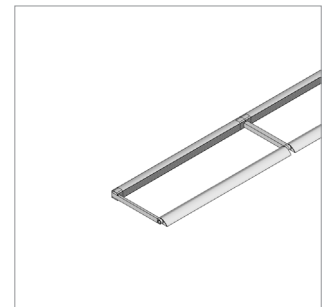
Integral power, 1% dimming available for most configurations and protocols.

Easy-to-Install

Modular assembly for quick installation and maintenance.



Shown: Double-sided



Shown: Single-sided

Structure

Rail Lengths	24" (610mm), 36" (914mm), 48" (1219mm), 60" (1524mm), 72" (1829mm), 96" (2438mm).
Rail Dimensions	1.17" (30mm) x 3.24" (82mm).
Construction / Finish	Extruded and machined 6063 aluminum. Clear anodized (stock), black anodized, white painted and non-standard finishes available.
Mounting	Single or double sided stack mount to integral ballast housing. <i>See following page for details.</i>
Arm Length	2" (51mm) – 48" (1219mm). Non-standard arm lengths available. Single-sided requires arm lengths 24" or under.
System Run Length	2' (610mm) minimum. Unlimited maximum.

Power / Controls

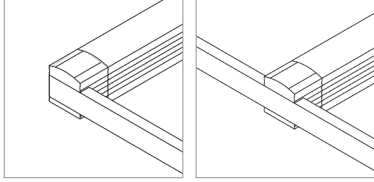
Ballast Type	Thermally protected Class P and Sound Rated A.
Controls	Non-dimming and dimming (1%, 10%), 0-10V, DALI, Lutron™ available for most configurations. <i>See Ballast Guide for details.</i>
Input Voltage	120v, 240v, 277v.
Power Location	Integral power.
Emergency Ballast	Available with select ballasts. <i>See Ballast Guide for details.</i>

Light

Fixture Efficacy (lm/W)	78% efficient. Accessories: Clear Dust Cover 74%, Baffle 63%.
Distribution	Symmetric distribution, 100% direct.
T5 Lamp HE (High Efficiency)	14w = 24" (600mm) lamp. 21w = 36" (900mm) lamp. 28w = 48" (1200mm) lamp. 35w = 60" (1500mm) lamp. 42w = 72" (1800mm) = 2 x 36" (900mm) lamp, 21w per lamp. 56w = 96" (2400mm) = 2 x 48" (1200mm) lamp, 28w per lamp.
T5 Lamp HO (High Output)	24w = 24" (600mm) lamp. 39w = 36" (900mm) lamp. 54w = 48" (1200mm) lamp. 80w = 60" (1500mm) lamp. 78w = 72" (1800mm) = 2 x 36" (900mm) lamp, 39w per lamp. 108w = 96" (2400mm) = 2 x 48" (1200mm) lamp, 54w per lamp.
Color Temperature	3000K, 3500K, 4100K available. Non-standard color temperature lamps available upon request.

DISCONTINUED
To order, call
(707) 996-9898

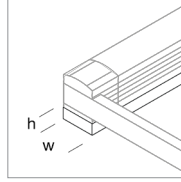
Mounting Hardware



Integral Power (single-sided)
h 1.7" (43mm)
w 1.8" (46mm)

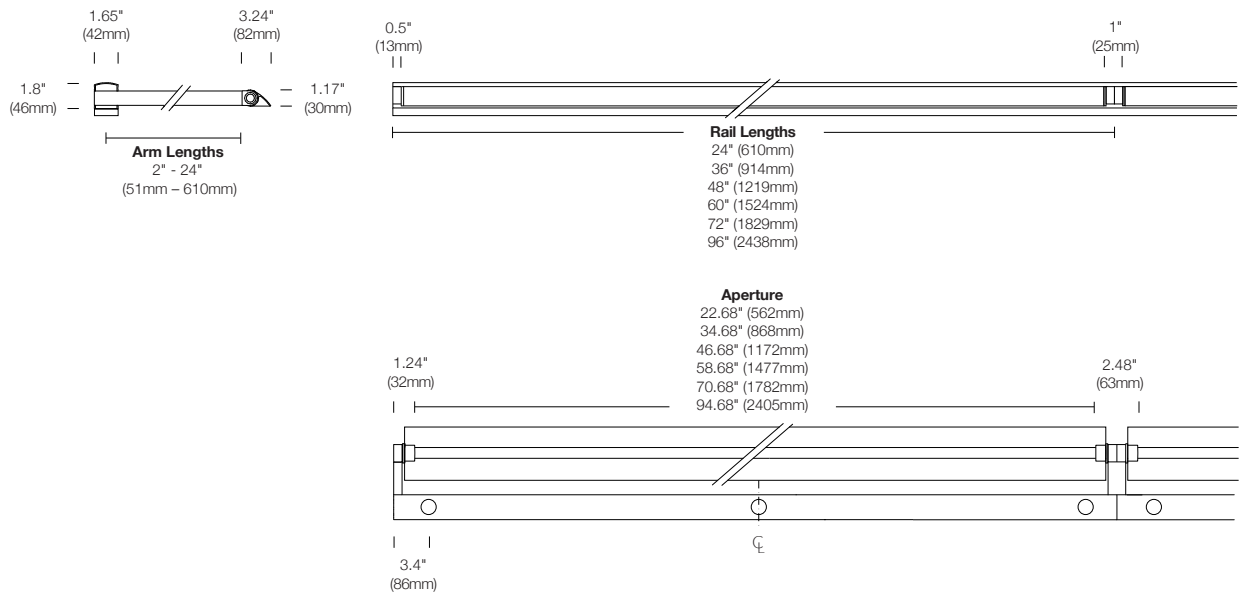
Integral Power (double-sided)
h 1.7" (43mm)
w 1.8" (46mm)

Accessories



Vode Strut
h 0.8" (20mm)
w 1.61" (41mm)

Dimensions



Materials

Prismatic Lens	High-impact extruded acrylic glass (PMMA).
Baffle	6063 aluminum, painted white finish, RoHS compliant.
Power Cable	Ø6mm, 18/4 AWG, fiberglass sheathing, FEP insulation, RoHS compliant.
Cable Connectors	Unfilled clear Nylon, rated UL 94 V-0, halogen free. RoHS compliant.

5 Year Limited Warranty. All material and component parts used in the manufacture of Vode products are warranted to be free from defects of material and/or workmanship for a period of 5 years from date of sale. Product must be installed according to Vode installation instructions and accepted trade practices. Power supplies and other auxiliary equipment is not covered under Vode warranty but may be covered by separate OEM warranty. See full Vode warranty description [here](#).

Listed to UL standards for dry and damp location by a Notified Body (NRTL) recognized by OSHA.

DISCONTINUED
To order, call
(707) 996-9898

Build Your Specification

115-QU						IB
---------------	--	--	--	--	--	-----------

System & Rail Type	Single/Double Rail	System Length	Layout	Mounting	Arm Length	Power Location
115-QU QueRail	K1 Single-sided K2 Double-sided	Specify system length in 1ft (305mm) increments.	Select a standard layout using the Layout Chart on page 6. Find your desired overall system length and choose Layout A, B or C. This product is available with rail lengths from 2' (610mm) – 8' (2438mm). To select a non-standard layout, write "Z" above and specify your layout in comma-delimited feet/ inches or millimeters. Example: 3',3',3',3' for a 12ft system.	ST Stack/Surface SV Stack/Surface with VodeStrut	2 2" arm (51mm) 3 3" arm (76mm) 6 6" arm (152mm) 12 12" arm (305mm) 18 18" arm (457mm) 24 24" arm (610mm) 36 36" arm (914mm) ¹ 48 48" arm (1219mm) ¹ Z Non-standard arm length (please specify) ¹	Integral Power IB Integral Ballast

--	--	--	--	--	--	--

Ballast Type ²	Voltage	Emergency Ballast	Lamp Type	Finish
A Programmed start, Non-dimming E Lutron Ecosystem, 10% Dimming H Lutron Hi-Lume 3D, 1% Dimming J Lutron EcoSystem H-Series, 1% Dimming F 0-10v, 1% Dimming D DALI, 1% Dimming Z Other (please specify)	1 120v 4 240v 2 277v	Specify number of emergency ballasts required. See Ballast Guide for details.	Supplied by Others HE High Efficiency (HE) HO High Output (HO) Supplied by Vode E30 Sylvania Pentron, 3000K, HE E35 Sylvania Pentron, 3500K, HE E41 Sylvania Pentron, 4100K, HE O30 Sylvania Pentron, 3000K, HO O35 Sylvania Pentron, 3500K, HO O41 Sylvania Pentron, 4100K, HO Z Other (please specify)	AL Clear Anodized (stock) WH White Painted BL Black Anodized Z Non-standard Finish (please specify)

--	--

NOTES & LIMITATIONS

¹Single-sided (K1) arms cannot exceed 24" (610mm).

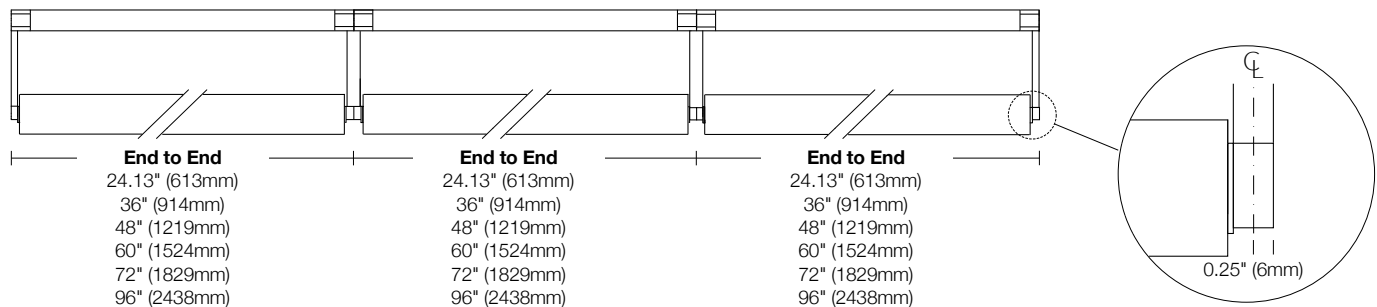
²Some ballasts may not be compatible with your specification.

See [Ballast Guide](#) for details.

³Not available with High Output (HO) Lamps.

Lens / Baffle	Options
0 None B Cross Baffle 1 Prismatic Lens ³	Select all that apply. 0 None 2 GLR Fuse 3 9' 18/3 Cord and Plug

Layout



DISCONTINUED
To order, call
(707) 996-9898

Copyright © 2014 Vode Lighting LLC. All rights reserved.

The Vode logo and Vode and WingRail names are either registered trademarks or trademarks of Vode Lighting LLC in the United States and / or other countries. All other brand or product names are trademarks or registered trademarks of their respective owners. Due to ongoing innovation, specifications may change without notice.

Credits, Page 1 Photo: Penn State University, Dickinson School of Law Library, University Park, PA | Architecture: Polshek Partnership Architects | Lighting Design: Brandston Partnership Inc. | Photo: George Brown Studio NYC.

Vode Lighting LLC | 1206 East MacArthur, Suite 3, Sonoma, CA 95476 | 707.996.9898