



Adaptive architectural lighting systems

Type

Project



Spec Guide

DoubleRace™ | Ceiling Cable | 107

Direct/indirect for interior general, open office and conference room applications.



DoubleRace, direct/indirect

Benefits & Features

Minimalistic, Robust Design

Oval profile, 2.41" (61.2mm) x 1.14" (29mm), Ø4mm power cable suspension.

Superior Light Quality & Performance

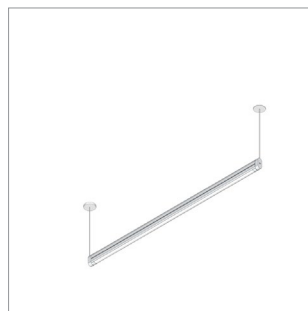
Standard Output is up to 99 lm/W, 1260 lm/ft (4132 lm/m) and 85 CRI. Outputs up to 2232 lm/ft (7320 lm/m) are available.

Adaptive Power Module

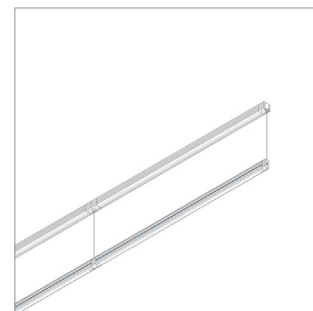
Integral or remote power, 0.1% dimming available for most configurations and protocols.

Simple Installation

Modular snap-fit assembly for easy installation and maintenance.



Shown: Small Round Canopy

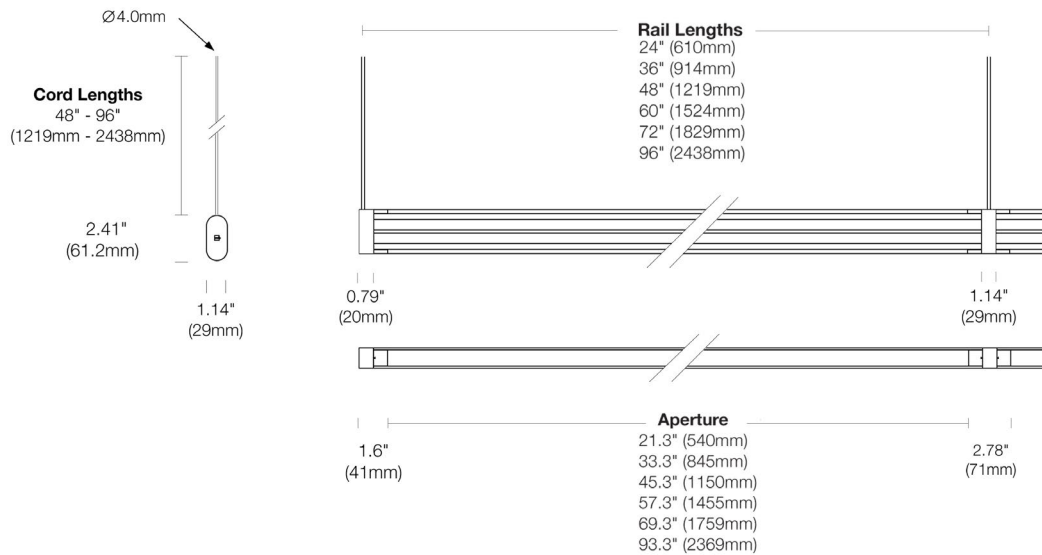


Shown: Integral Power

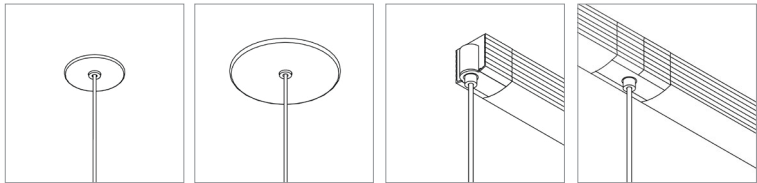
Multiple mounting hardware options designed to fit any application.

Structure

Rail Length	24" (610mm), 36" (914mm), 48" (1219mm), 60" (1524mm), 72" (1829mm), 96" (2438mm).
Rail Dimension	2.41 (61.2mm) x 1.14 (29mm)
Construction / Finish	Extruded and machined 6063 aluminum. Clear anodized, black anodized, white painted and non-standard finishes available.
Mounting	Ceiling mount to jbox or driver housing.
Cable Length	48" (1219mm) and 96" (2438mm) available. Field adjustable. Non-standard cable lengths available.
System Run Length	24" (610mm) minimum. Unlimited maximum length.
Operating Temperature	32°F to 104°F (0°C to 40°C).
Humidity	0-85%, non-condensing.
System Weight	1.05lbs (0.48kg) per foot (305mm). ¹



Mounting Hardware



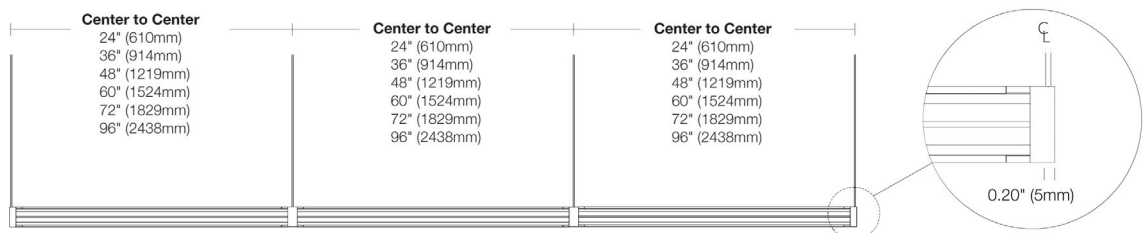
Small Round Canopy
Ø2.5" (51mm)

Large Round Canopy
Ø4.5" (114mm)

Integral Power (end)
h 1.7" (43mm)
w 1.8" (46mm)

Integral Power (joint)

Layout



NOTES & LIMITATIONS

¹Weight based on system consisting of 3' (914mm) rail and mounting hardware. Power supply and housing not included.

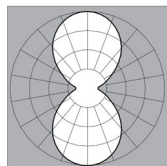
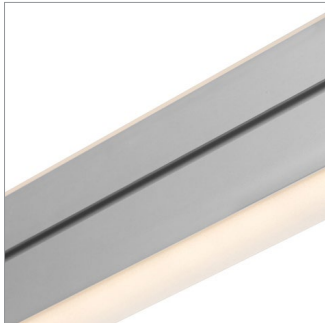
Power / Controls

Power Type	Class 2 (<60v output) constant current driver.
Controls	Dimming ¹ (0.1%, 1%) and 0-10v, DALI, Lutron EcoSystem™ are available. See Driver Guide for details.
Input Voltage	120v - 277v, 50/60hz.
Power Location	Integral or remote power. Maximum remote distance up to 72' (22m) depending on driver selection. See Driver Guide for details.

Zipper Board™

Zipper Board has 72 diodes per foot (305mm). Performance data for Standard Output listed below.²

Diffuse Round Lens Up, Diffuse Round Lens Down



	2700K	3000K	3500K	4000K
Efficacy - Lumens per Watt	87	91	95	99
Total Lumens per Foot (305mm) ³	1116	1163	1211	1280
Uplight Lumens per Foot (305mm) ³	557	581	605	629
Downlight Lumens per Foot (305mm) ³	558	582	606	630
Input Power (W), 4' rail length (1219mm)	50.9	50.9	50.9	50.9
Watts per Foot (305mm) ³	12.8	12.8	12.8	12.8
CRI (>80 min., 85 avg.)	-	-	85	-
Lumen Maintenance	60,000 hours L80 @25°C			

NOTES & LIMITATIONS

¹ Dimming curve is factory preset to linear. Logarithmic is available upon request.

² Estimated with non-standard output, see the [IES Files](#) page for performance data at High Output.

³ Based on testing 4' rail section. Lumen measurement complies with IES-LM-79-08 testing procedures.

Build Your Specification

107-DR	01			CC		
System & Rail Type 107-DR DoubleRace	Single/Double Rail 01 Single Rail	System Length Specify system length in 1ft (305mm) increments.	Rail Length Select Rail Length. If System Length is not divisible by Rail Length selected, Vode will complete the remainder with appropriate rail length(s). If a specific rail configuration is required, please select ZZ and identify the specific layout desired. 24 24" (610mm) ¹ 36 36" (914mm) 48 48" (1219mm) 60 60" (1524mm) 72 72" (1829mm) 96 96" (2438mm) ZZ Other rail length or layout (please specify)	Mounting CC Ceiling Cable	Cable Length <i>Field adjustable.</i> 48 48" cable (1219mm) 96 96" cable (2438mm) ZZ Other (please specify)	Power Location Integral Power IP Integral Power Remote Power 2R Small Round Canopy 4R Large Round Canopy

		0	Z		
Power Type² AE 0-10v, 1% dimming AT eldoLED 0-10v, 0.1% dimming AD eldoLED DALI, 0.1% dimming AH Lutron EcoSystem, 1% dimming ¹ ZZ Other (please specify)	Voltage 1 120v 4 240v 2 277v	Emergency Power Contact Vode or your Vode agent for emergency power options.	LED Type Z Zipper Board	Lumen Output SO Standard Output ZZ Other (please specify) ³	Color Temperature 27 2700K 30 3000K 35 3500K 40 4000K ZZ Other (please specify)

			0
Optics Zipper Board (Z) 22 Round Diffuse up, Round Diffuse down ZZ Other (please specify)	Sensors 0 None ZZ Other (please specify) ³	Finish AL Clear Anodized WH White Painted BL Black Anodized ZZ Other (please specify)	Options 0 None

NOTES & LIMITATIONS

¹AH not available in 24" Integral Power.

²Dimming curve is factory preset to linear. Logarithmic is available upon request.

³See the [Driver Guide](#) and [IES Files](#) page for performance data at high output.

⁴Occupancy and daylight sensors are available. Contact Vode or your Vode agent with your specific requirements.

5 Year Limited Warranty. All material and component parts used in the manufacture of Vode products are warranted to be free from defects of material and/or workmanship for a period of 5 years from date of sale. Product must be installed according to Vode installation instructions and accepted trade practices. Power supplies and other auxiliary equipment is not covered under Vode warranty but may be covered by separate OEM warranty. See full Vode warranty description [here](#).

Listed to UL standards for damp location by a Nationally Recognized Testing Laboratory (NRTL) recognized by OSHA.



LED Board Construction – Aluminum MCPCB, PPT connectors, RoHS compliant.
Diffuse Lens – High-impact extruded acrylic glass (PMMA). Suspension Cable – Ø3.2mm, 22/2 AWG, PVC jacket, FEP-insulated, RoHS compliant. Power Cable – Ø4mm, 18/2 AWG, Plenum (CMP) rated semi-rigid PVC, flame tested UL-910. Cable Connectors – Unfilled black nylon, rated UL 94 V-0, halogen free, PVC overmold, RoHS compliant. Remote Power Housing – 1/16" (0.8mm) formed steel, zinc chromate plating.

Copyright © 2016 Vode Lighting LLC. All rights reserved. The Vode logo and Vode, DoubleRace and Zipper Board names, are either registered trademarks or trademarks of Vode Lighting LLC. in the United States and / or other countries. All other brand or product names are trademarks or registered trademarks of their respective owners. Due to ongoing innovation specifications may change without notice.

