



Spec Guide

BoxRail™ | Ceiling Cable | LED | 107

Direct or indirect lighting for general interior, open office and conference room applications.



BoxRail, direct, infinite rotation

Benefits & Features

Super Slim Design

Square profile, 1.14" (29mm) x 1.14" (29mm), infinite rotation, Ø3mm power cable suspension.

Superior Light Quality & Performance

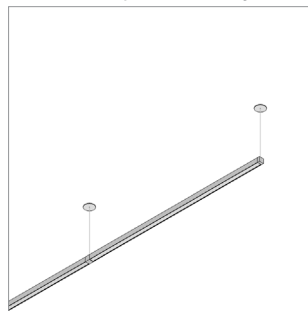
Standard Output is up to 79 lm/W, 492 lm/ft (1613 lm/m) and 85 CRI. Outputs up to 904 lm/ft (2965 lm/m) are available (see spec sheet for more information).

Adaptive Driver Modules

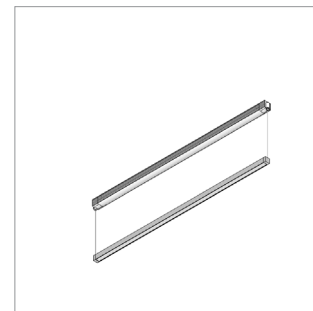
Integral or remote power, 0.1% dimming available for all configurations and protocols.

Simple Installation

Modular snap-fit assembly for easy installation and maintenance.



Shown: Large Round Canopy

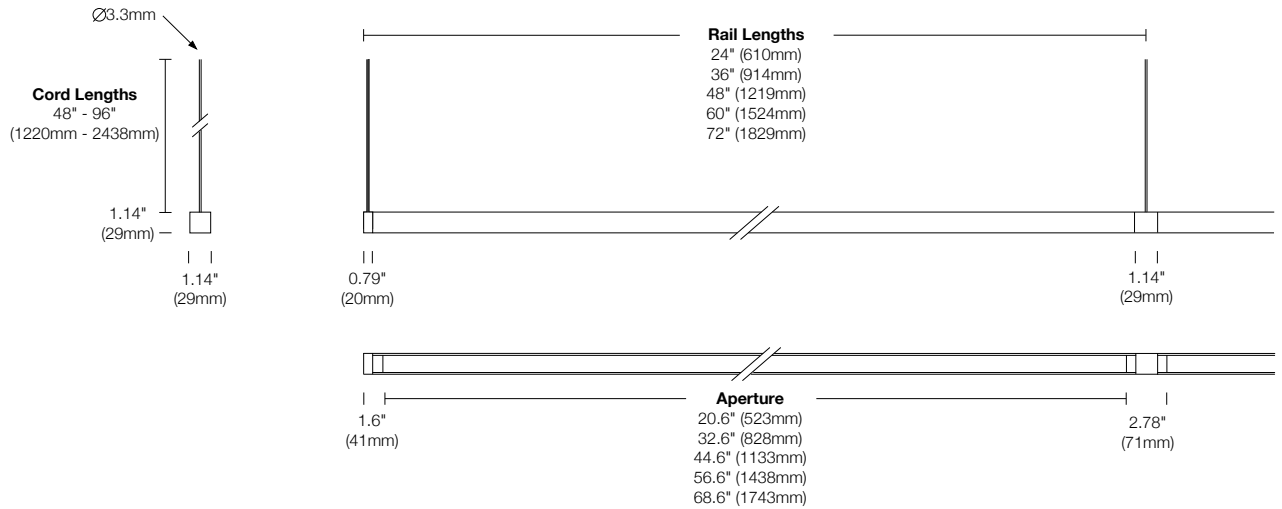


Shown: Integral Driver Housing

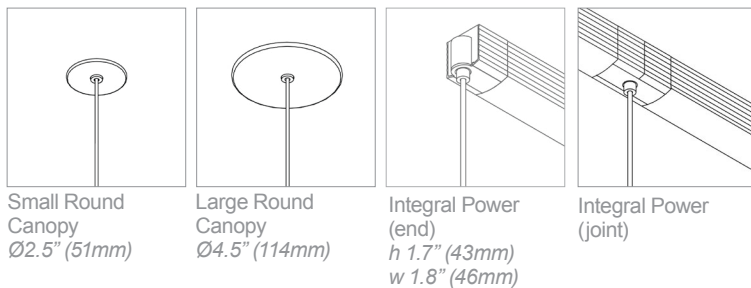
Multiple mounting hardware options designed to fit any application.

Structure

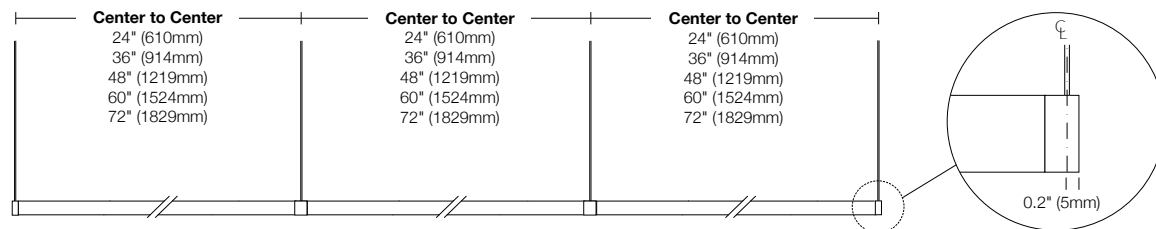
Rail Lengths	24" (610mm), 36" (914mm), 48" (1219mm), 60" (1524mm), 72" (1829mm).
Rail Dimensions	1.14" (29mm) x 1.14" (29mm).
Construction / Finish	Extruded and machined 6063 aluminum. Clear anodized, black anodized, white painted and non-standard finishes available.
Mounting	Ceiling mount to jbox or driver housing.
Cable Length	48" (1220mm) and 96" (2440mm) available. Field adjustable. Non-standard cable lengths available.
System Run Length	24" (610mm) minimum. Unlimited maximum length.
Operating Temperature	32°F to 104°F (0°C to 40°C).
Humidity	0-85%, non-condensing.
System Weight	0.99 lbs (0.45kg) per foot (305mm) ¹ .



Mounting Hardware



Layout



NOTES & LIMITATIONS

¹Weight based on system consisting of 4' (1219mm) rail, 4' (1219mm) arm and mounting hardware.
Power supply and housing not included.

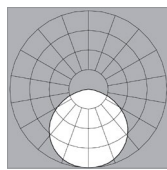
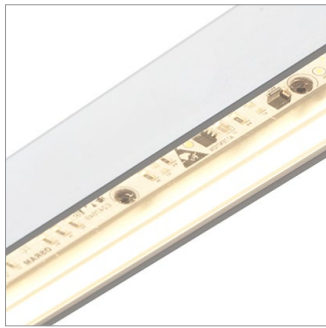
Power / Controls

Power Type	Class 2 (<60v output) constant current driver.
Controls	Dimming ¹ (0.1%, 1%) and 0-10v, DALI, Lutron EcoSystem™ are available. See Driver Guide for details.
Input Voltage	120v - 277v, 50/60hz.
Power Location	Integral or remote power. Maximum remote distance up to 72' (22mm) depending on driver selection. See Driver Guide for details.

Zipper Board™

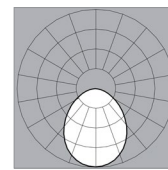
Zipper Board has 72 diodes per foot (305mm). Performance data for standard output listed below.²

Clear Lens



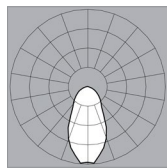
	2700K	3000K	3500K	4000K
Efficacy - Lumens per Watt	70	73	77	79
Lumens per Foot (305mm) ²	436	454	473	492
Watts per Foot (305mm) ²	6.2	6.2	6.2	6.2
CRI (>80 min., 85 avg.)	-	-	85	-
Lumen Maintenance	60,000 hours L80 @25°C			

Diffuse Lens



	2700K	3000K	3500K	4000K
Efficacy - Lumens per Watt	60	62	65	67
Lumens per Foot (305mm) ²	375	391	407	424
Watts per Foot (305mm) ²	6.3	6.3	6.3	6.3
CRI (>80 min., 85 avg.)	-	-	84	-
Lumen Maintenance	60,000 hours L80 @25°C			

White Baffle



	2700K	3000K	3500K	4000K
Efficacy - Lumens per Watt	46	48	50	52
Lumens per Foot (305mm) ²	285	297	310	322
Watts per Foot (305mm) ²	6.2	6.2	6.2	6.2
CRI (>80 min., 85 avg.)	-	-	84	-
Lumen Maintenance	60,000 hours L80 @25°C			

NOTES & LIMITATIONS

¹Dimming curve is factory preset to linear. Logarithmic is available upon request.

²With non-standard output, BoxRail distributes up to 904 lm/ft (2965 lm/m) at slightly reduced efficacy. See the [IES Files](#) page for performance data at High Output.

³Based on testing 4' rail section. Lumen measurement complies with IES-LM-79-08 testing procedures.

Build Your Specification

107-BX	01			CC		
--------	----	--	--	----	--	--

System & Rail Type	Single/Double Rail	Length	Rail Length	Mounting	Cable Length	Power Location
107-BX BoxRail	01 Single Rail	Specify system length in 1ft (305mm) increments.	Select Rail Length. If System Length is not divisible by Rail Length selected, Vode will complete the remainder with appropriate rail length(s). If a specific rail configuration is required, please select ZZ and identify the specific layout desired. 24 24" (610mm) 36 36" (914mm) 48 48" (1219mm) 60 60" (1524mm) 72 72" (1829mm) ZZ Other rail length or layout (please specify)	CC Ceiling Cable	Field adjustable. 48 48" cable (1210mm) 96 96" cable (2438mm) ZZ Other (please specify)	Integral Power IP Integral Power Remote Power 2R Small Round Canopy 4R Large Round Canopy

		0	Z		
--	--	---	---	--	--

Power Type ¹	Voltage	Emergency Power	LED Type	Lumen Output	Color Temperature
AE 0-10v, 1% dimming	1 120v	Contact Vode or your Vode agent for emergency power options.	Z Zipper Board	SO Standard Output ZZ Other (please specify) ²	27 2700K 30 3000K 35 3500K 40 4000K ZZ Other (please specify)
AT eldoLED 0-10v, 0.1% dimming	4 240v				
AD eldoLED DALI, 0.1% dimming	2 277v				
AH Lutron EcoSystem, 1% dimming					
ZZ Other (please specify)					

			0
--	--	--	---

Optics	Sensors	Finish	Options
Zipper Board (Z) 0 Clear Lens 1 Diffuse Lens WB White Baffle ZZ Other (please specify)	0 None ZZ Other (please specify) ³	AL Clear Anodized WH White Painted BL Black Anodized ZZ Other (please specify)	0 None

NOTES & LIMITATIONS

¹Dimming curve is factory preset to linear. Logarithmic is available upon request.

²See **Driver Guide** for limitations. See the **IES Files** page for performance data at high output.

³Occupancy and daylight sensors are available.

5 Year Limited Warranty. All material and component parts used in the manufacture of Vode products are warranted to be free from defects of material and/or workmanship for a period of 5 years from date of sale. Product must be installed according to Vode installation instructions and accepted trade practices. Power supplies and other auxiliary equipment is not covered under Vode warranty but may be covered by separate OEM warranty. See full Vode warranty description [here](#).

Listed to UL standards for damp location by a Nationally Recognized Testing Laboratory (NRTL) recognized by OSHA.



LED Board Construction – Aluminum MCPCB, PPT connectors, RoHS compliant.
Clear Lens, Diffuse Lens – High-impact extruded acrylic glass (PMMA). Baffle – 6063 aluminum, RoHS compliant painted finish. Suspension Cable – Ø3.2mm, 22/2 AWG, PVC jacket, FEP-insulated, RoHS compliant. Power Cable – Ø4mm, 18/2 AWG, Plenum (CMP) rated semi-rigid PVC, flame tested UL-910. Cable Connectors – Unfilled black nylon, rated UL 94 V-0, halogen free, PVC overmold, RoHS compliant. Remote Power Housing – 1/16" (0.8mm) formed steel, zinc chromate plating.

Copyright © 2015 Vode Lighting LLC. All rights reserved.

The Vode logo and Vode, BoxRail and Zipper Board names are either registered trademarks or trademarks of Vode Lighting LLC in the United States and / or other countries. All other brand or product names are trademarks or registered trademarks of their respective owners. Due to ongoing innovation, specifications may change without notice.

