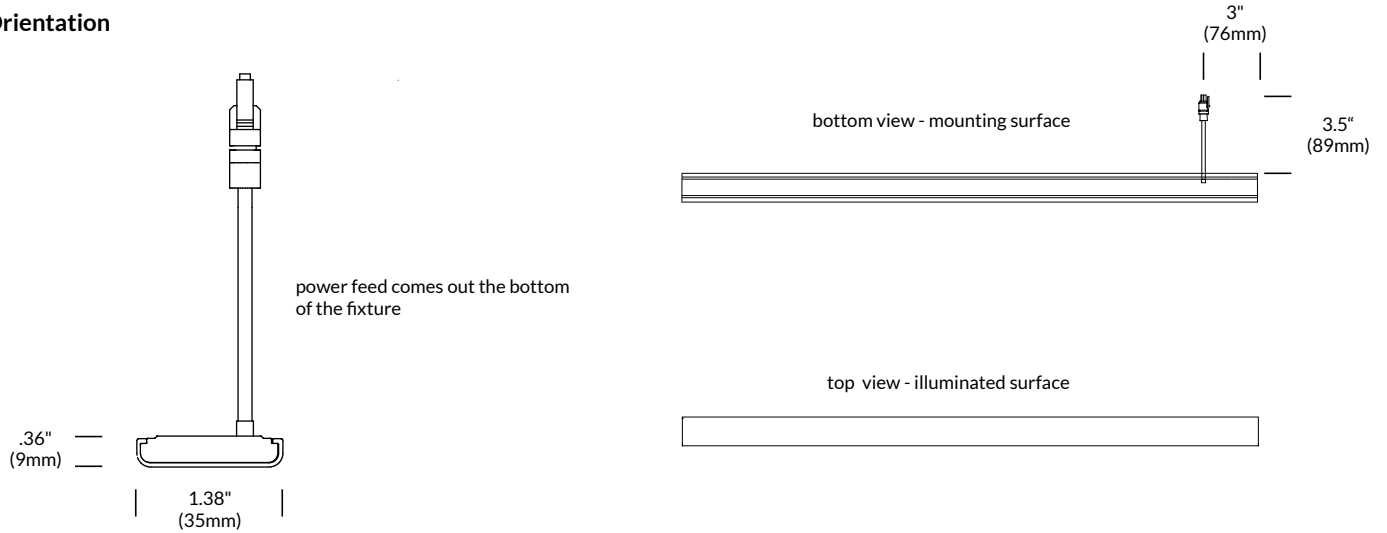




Please read instructions in their entirety before proceeding with any part of installation. This luminaire must be installed in accordance with the National Electric Code and local regulations. This luminary must be installed by a qualified electrician. Use of components not supplied by Vode Lighting LLC voids warranty. To prevent electric shock, turn off electricity at the circuit box before proceeding. Do not install this product in wet locations. UL listed for dry and damp locations only.

Technical Support 707-996-9898

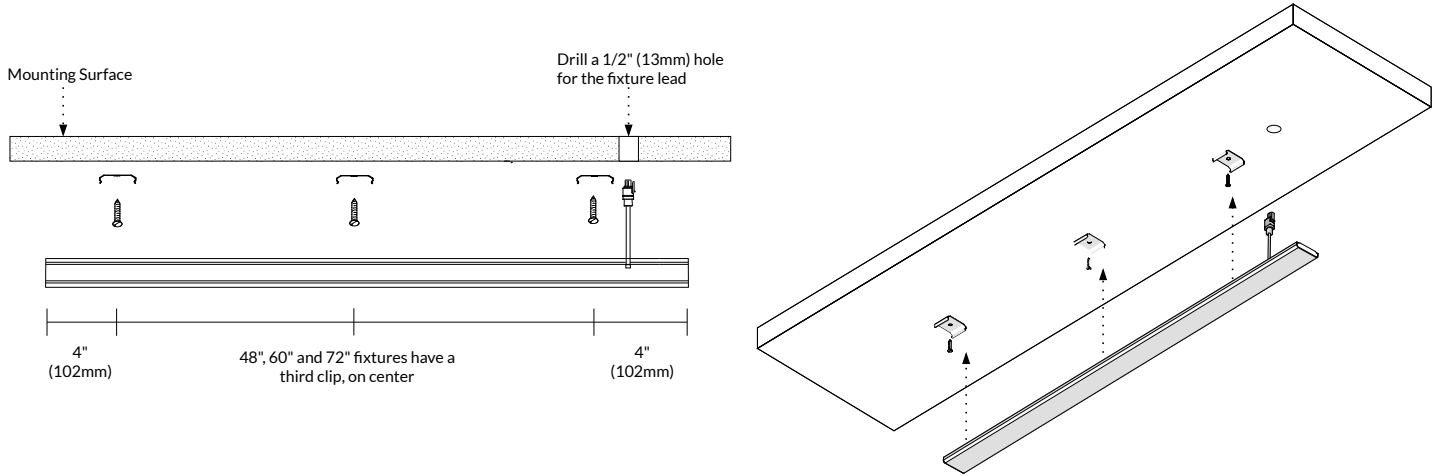
Fixture Orientation



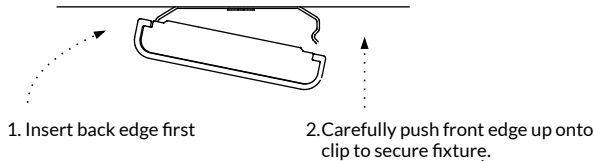
Clip Mount

- Two clips are provided for 24" and 36" fixtures, four clips are provided for 48", 60", and 72" fixtures. Vode recommends positioning clips 4" (102mm) from end of the fixture and a third clip on center for 48", 60", and 72" fixtures. Install clips with 5/8" Phillips flat head screws provided.
- Insert back edge of fixture to installed clips, then carefully snap front edge onto clips. Check that fixture is securely mounted.
- Connect power supply. (see "Power Supply" section)
- To remove fixture first pull front facing edge allowing back edge to rotate off the clip.

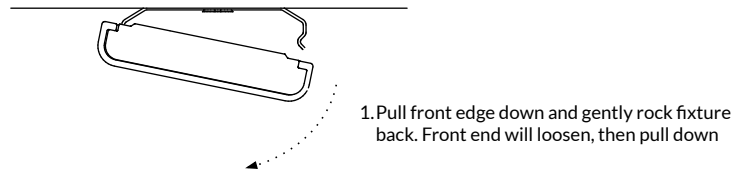
CAUTION: Do not pull straight down as this may damage the fixture.



to fasten fixture to clips :

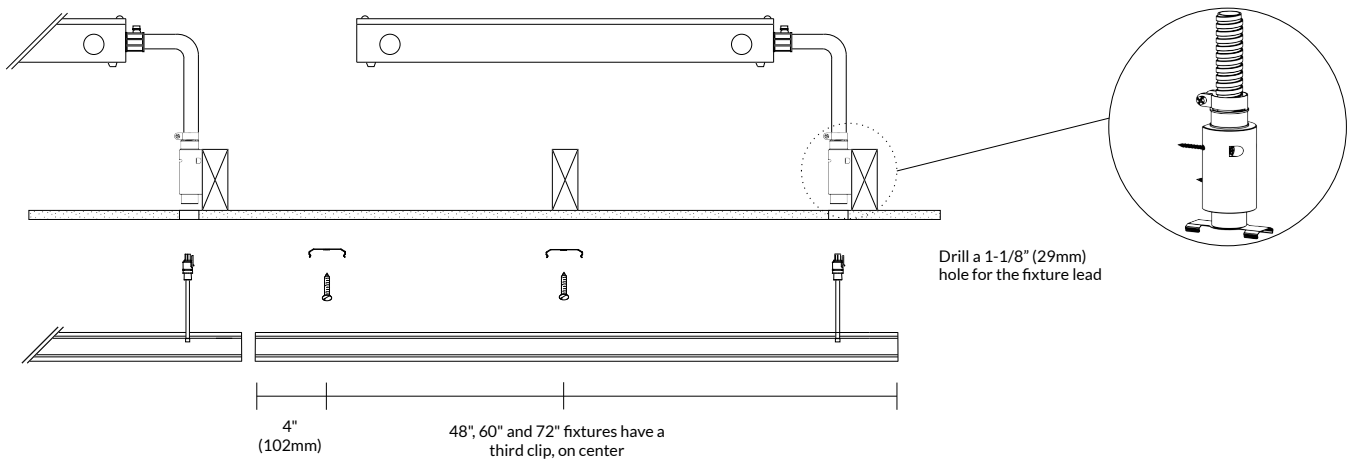


to release fixture from clips :



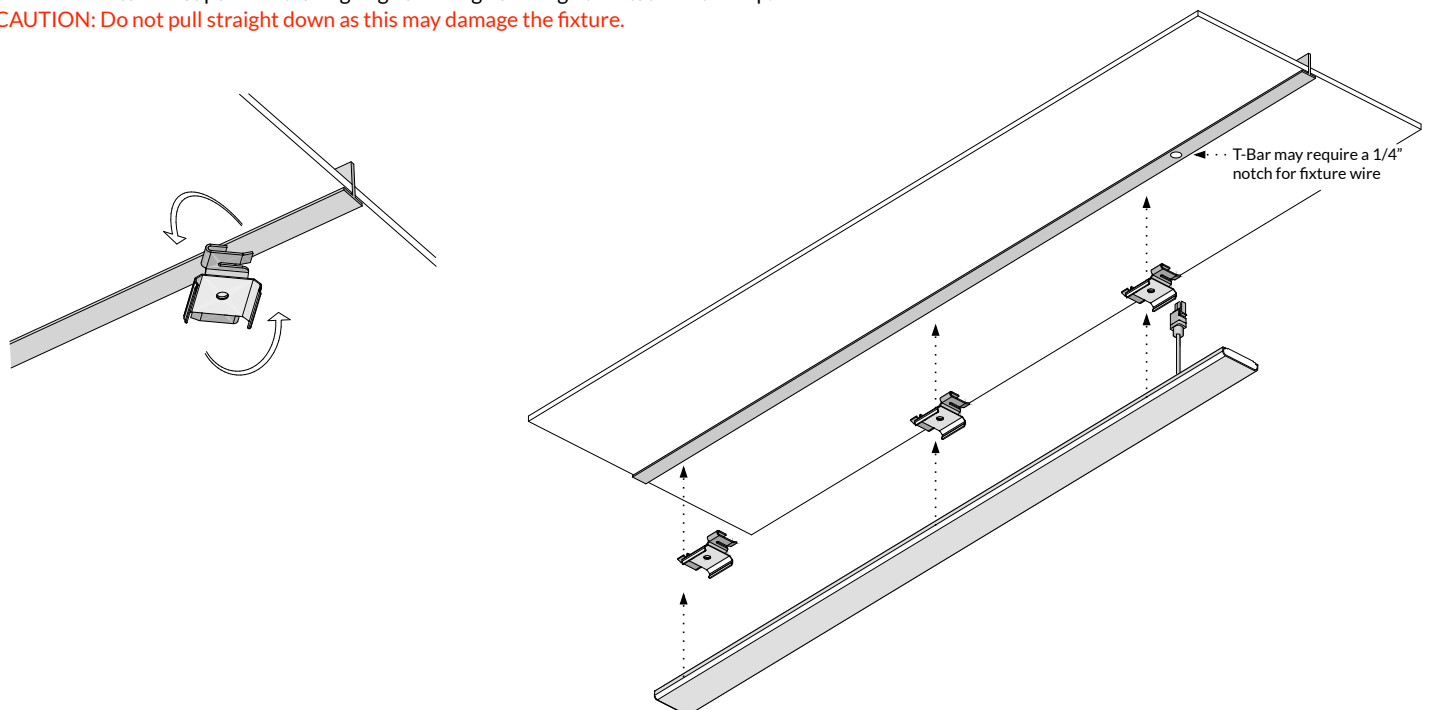
Clip with Micro J-box

1. Accurate placement and alignment of Micro J-box is very important. Once mudded, NO adjustability is possible! J-box location is always 3" on center from the end of the fixture, unless otherwise specified. Install a single Micro J-box at the end of each fixture.
 2. IMPORTANT! Mount remote power supply housing to a location that is accessible after installation. Note: Depending on driver type, drivers may be installed up to 72' (22m) from the fixture.
 3. Make conduit connections between remote power supply housing and Micro J-box. Micro J-box uses standard 1/2" knockouts. Conduit and conduit adapters provided by others.
 4. After drywall and Micro J-box is mudded, insert wire harness through Micro J-box. Pull wire harness from Micro J-box to remote power supply housing. Leave 1" extending from Micro J-box.
 5. Run fixture cable through Micro J-box fixture clip and connect to wire harness. Insert fixture clip into Micro J-box and snap fixture into additional clips.
- CAUTION: Do not pull straight down as this may damage the fixture.**



T-Bar Clip Mount

1. Two clips are provided for 24" and 36" fixtures, four clips are provided for 48", 60" and 72" fixtures. Vode recommends positioning clips 4" (102mm) from each end of the fixture and a third clip on center for 48", 60", and 72" fixtures. Mount clips by twisting onto T-bar system.
 2. Insert back edge of fixture to installed clips, then carefully snap front edge onto clips. Check that fixture is securely mounted.
 3. Connect power supply. (see "Power Supply" section)
 4. To remove fixture first pull front facing edge allowing back edge to rotate off the clip.
- CAUTION: Do not pull straight down as this may damage the fixture.**





Remote Power Supply

1. Install Remote Power Supply and Junction Box.

IMPORTANT! Before installing power supply turn off electricity at fuse box and consult wiring diagram. When mounting junction box, bear to system layout center to center locations. Mount junction box and remote power supply housing, feeding wire harness through junction box to power supply. Junction box, conduit and conduit adapters provided by others.

1. Install power supply housing with screws provided.

LINE VOLTAGE:

2. Connect the ground to the green lead from the driver housing.
3. Connect the common to the white lead.
4. Connect the line to the black lead.

1. LOW VOLTAGE:

- If necessary, install conduit per local building code. Vode wire harness provided is plenum rated.
3. Run Vode wire harness to fixture and make connection at fixture. Connect Vode wire harness to power supply.

