



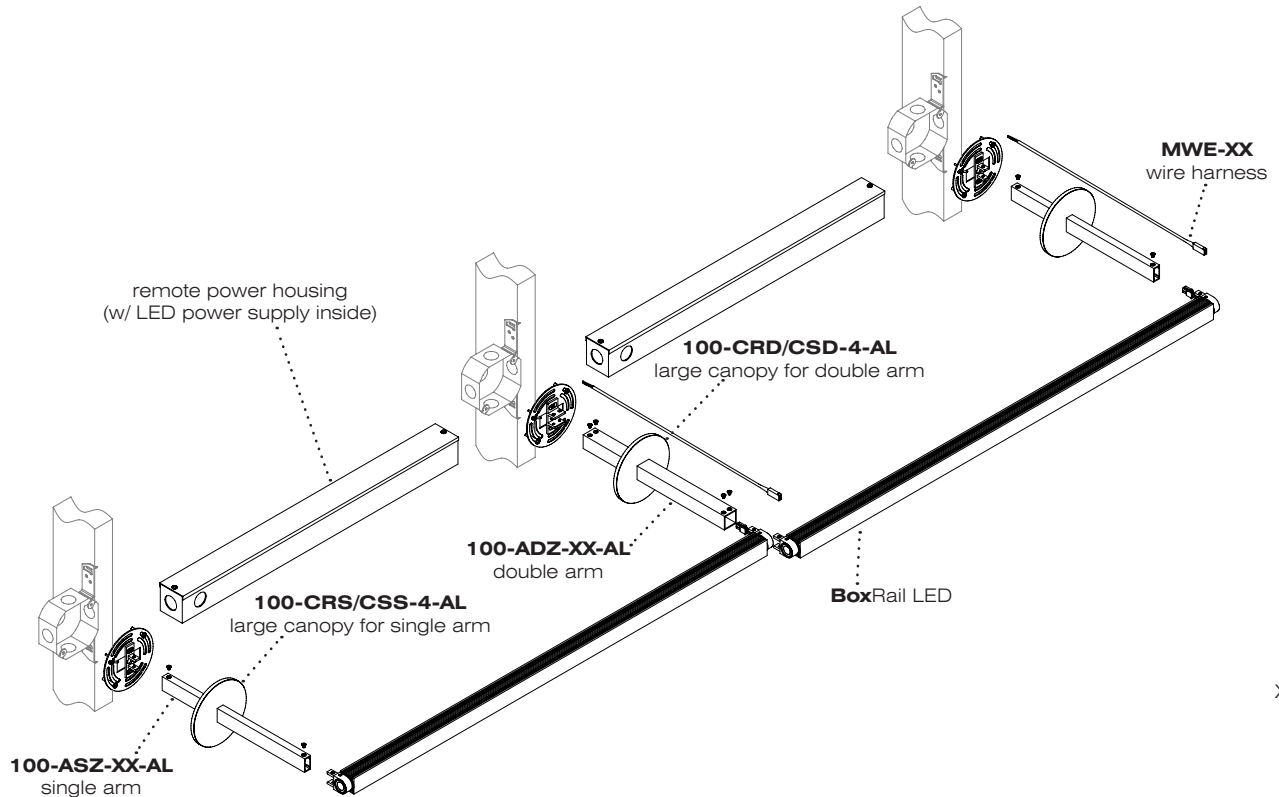
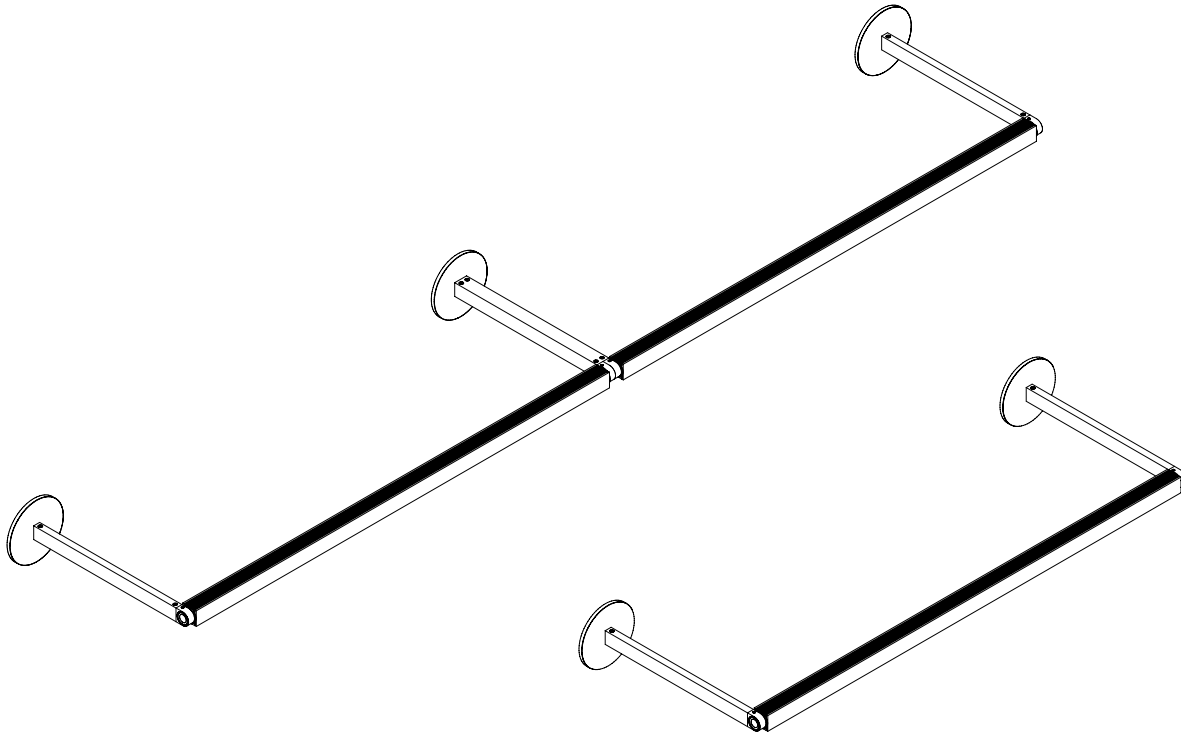
System | LED | 107

Arm Mounted | Large Canopy | Single & Continuous Rail Systems

Install Guide

Please read instructions in their entirety before proceeding with any part of the installation. This luminaire must be installed in accordance with the National Electric Code and local regulations. This luminaire must be installed by a qualified electrician. Use of ballast or other components not supplied by Vode Lighting voids warranty. To prevent electric shock, turn off electricity at the fuse box before proceeding. Do not install this product in wet locations. UL listed for dry and damp locations only. Retain instructions for future reference.

Technical Support: 707-996-9898



1.) Large Layout:

Accurate placement and alignment of j-box is critical as it will determine the alignment of entire system. For system layout info please refer to Center-to-Center System Layout on Page 4.

2.) Large Canopy Mounting Plate:

Once system layout is determined and j-boxes have been installed, secure mounting plate to j-boxes as needed **(A)**.

NOTE: large canopy for single arms (100-CRS/CSS-4-AL) on all end-sections and large canopy for double arms (100-CRD/CSD-4-AL) on all mid-sections.

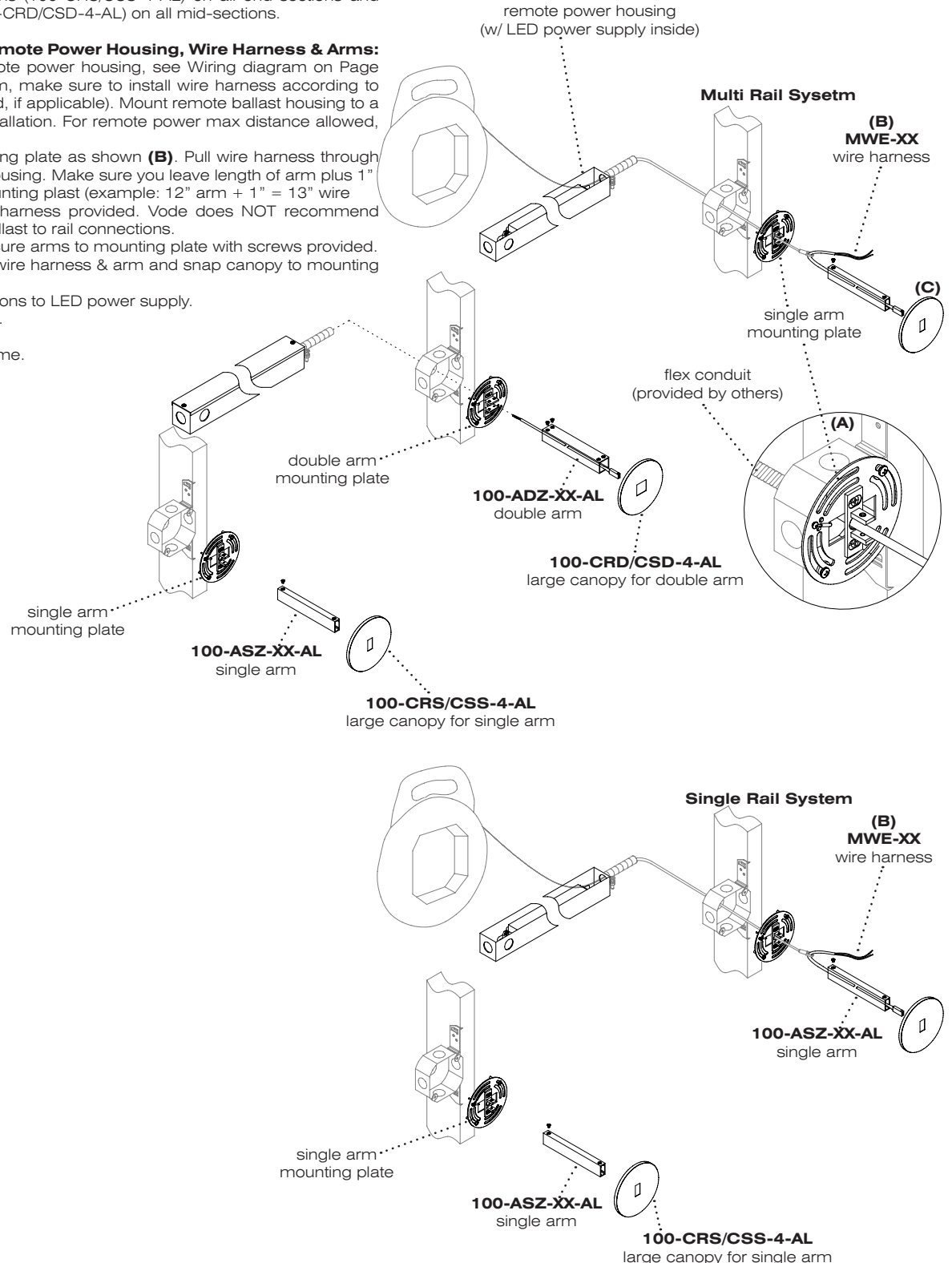
3.) Installing Large Canopy, Remote Power Housing, Wire Harness & Arms:
IMPORTANT! before installing remote power housing, see Wiring diagram on Page 5. If using WingRail for your system, make sure to install wire harness according to WingRail Orientation Page (included, if applicable). Mount remote ballast housing to a location that is accessible after installation. For remote power max distance allowed, see Page 5.

Insert wire harness through mounting plate as shown **(B)**. Pull wire harness through mounting plate to remote power housing. Make sure you leave length of arm plus 1" of wire harness hanging out of mounting plate (example: 12" arm + 1" = 13" wire harness hanging. Use Vode wire harness provided. Vode does NOT recommend using installer supplied wires for ballast to rail connections.

Slip wire harness through arms secure arms to mounting plate with screws provided. Slip round canopy - large through wire harness & arm and snap canopy to mounting plate **(C)**.

Make low and line voltage connections to LED power supply. Refer to Wiring Diagram on Page 5.

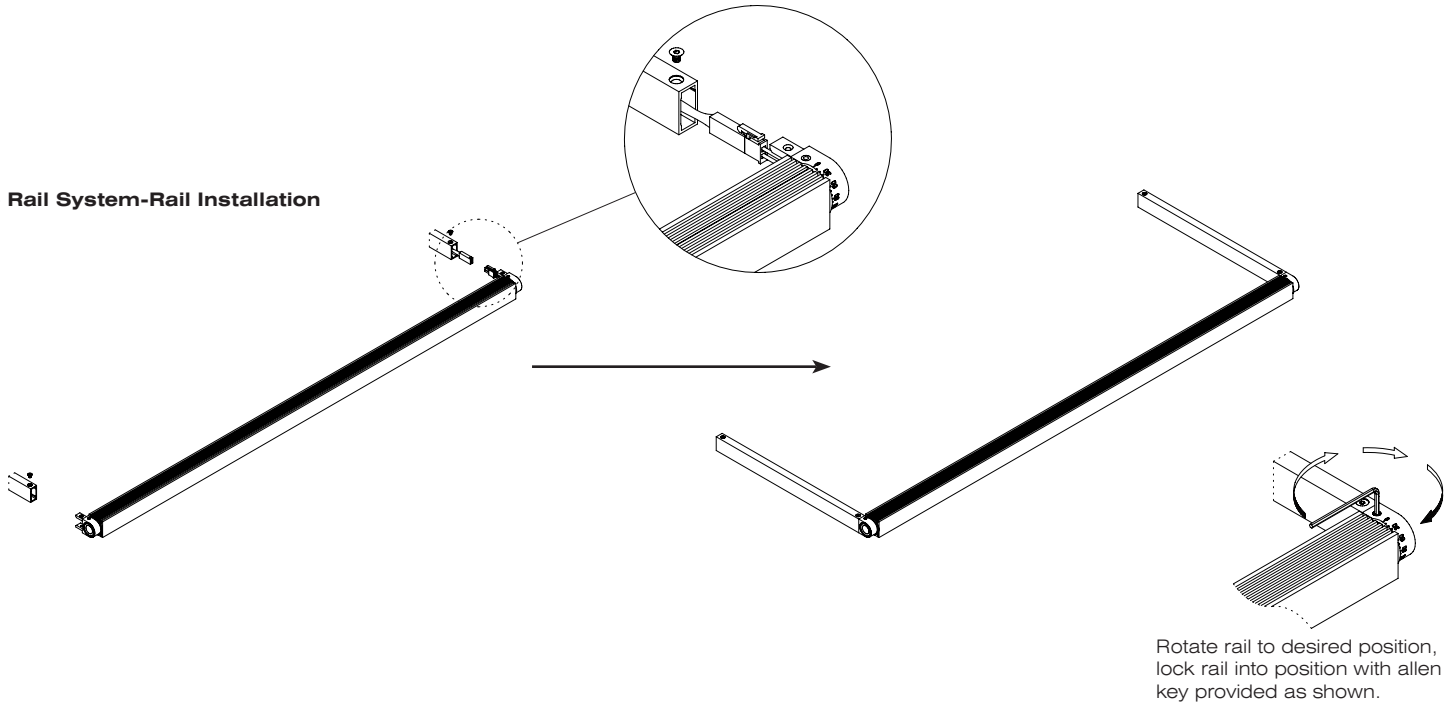
DO NOT power on system at this time.



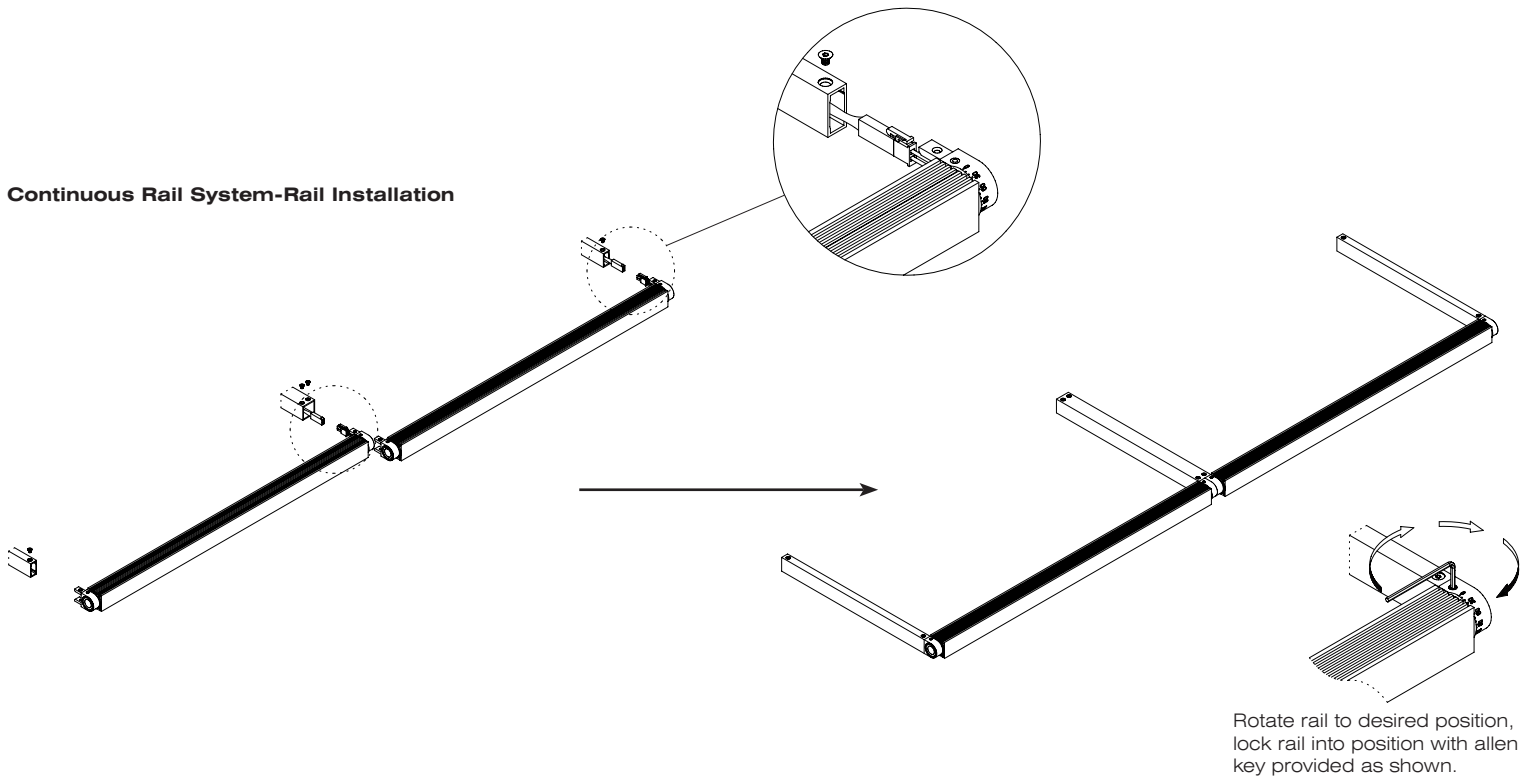
4.) Install rail by snapping connector on arm to mating connector on rail.
 Be sure that male and female connectors firmly snap together.
 Secure rail to arm using screws provided.
 Adjust rail to desired position and lock with screws provided.

Power ON System.

Single Rail System-Rail Installation



Continuous Rail System-Rail Installation



Typical center-to-center rail layout for 2', 3', 4', 5', 6' and 8' Rails

