



LED - Zero Canopy / Single & Continuous Rail System / Components

For use with 100 Series / MLR System

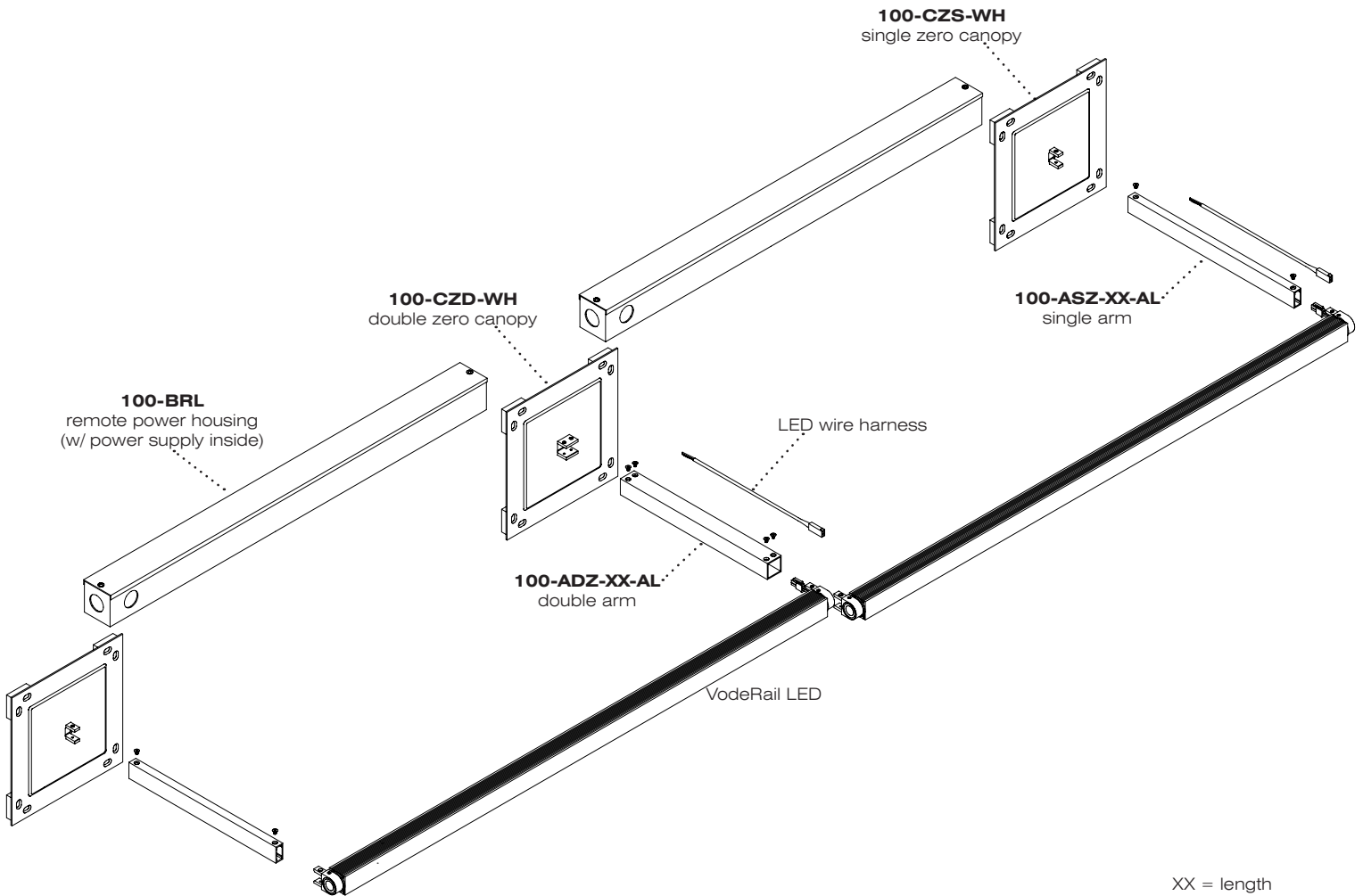
Install Guide

Please read instructions in their entirety before proceeding with any part of the installation. This luminaire must be installed in accordance with the National Electric Code and local regulations. This luminaire must be installed by a qualified electrician. Use of ballast or other components not supplied by Vode Lighting voids warranty. To prevent electric shock, turn off electricity at the fuse box before proceeding. Do not install this product in wet locations. UL listed for dry and damp locations only. Retain instructions for future reference.

Technical Support: 707-996-9898

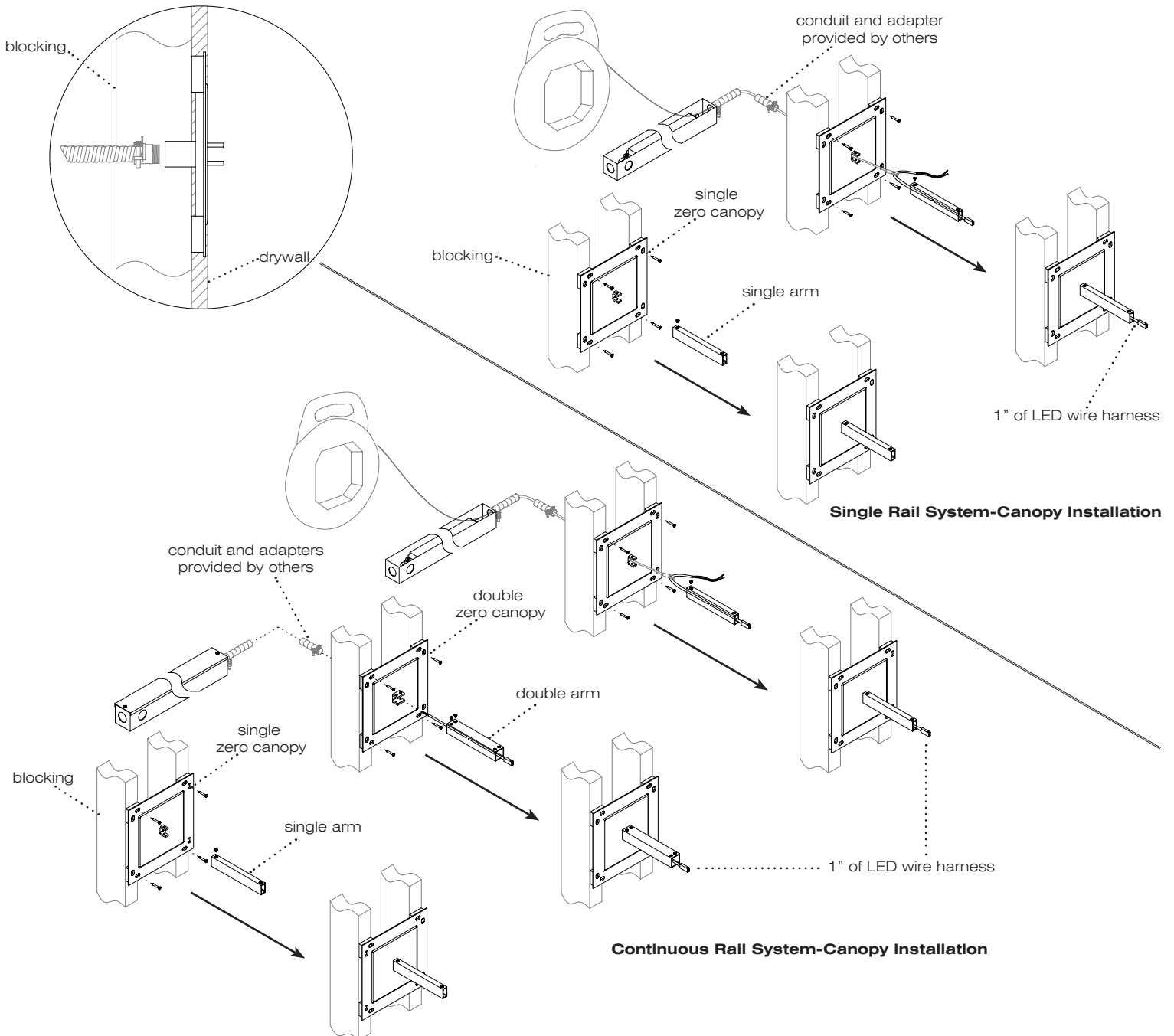
Installation Instructions:

- 1.) Accurate placement and alignment of **Zero Canopy** is **very important**. Once mudded, NO adjustability is possible! To determine mounting locations and layouts, refer to Layout Diagram on Page 5. Install single canopies at each end of system and double canopies at all mid-sections. Mount **Zero Canopy** to blocking using screws provided, but do not tighten screws. Re-check alignment and levelness of plates. Once alignment is confirmed, tighten screws.
- 2.) **IMPORTANT!** Before installing remote power supply housing, see Wiring Diagram on Page 4. Mount remote power supply housing to a location that is accessible after installation. For remote power supply max distance allowed, see Page 4.
- 3.) Make conduit connections between remote power supply housing and **Zero Canopy** with conduit. **Zero Canopy** is supplied with 1/2-14 NPSM female conduit thread. Conduit and conduit adapters provided by others.
- 4.) AFTER drywall and **Zero Canopy** is mudded, insert wire harness through **Zero Canopy** as shown on Page 2 & 3. If using WingRail for your system, make sure you install wire harness according to WingRail Orientation Page (included if applicable). Pull wire harness from **Zero Canopy** to remote power supply housing. Leave 1" plus length of arm (example: 12" arm + 1" = 13") extending from **Zero Canopy**. See Wiring Diagram on Page 4.
- 5.) Feed wire harness through arm. Leave wire harness connector extending approximately 1" out of arm. Secure arm to Zero Canopy using screws provided. Please note that screws should be *mounted on top* of arm (least visible position) as illustrated.
- 6.) Install rail by snapping connector on arm to mating connector on rail. Be sure that male and female connectors firmly snap together. Secure rail to arm using screws provided. Adjust rail to desired position and lock with screws provided.



Installation Instructions:

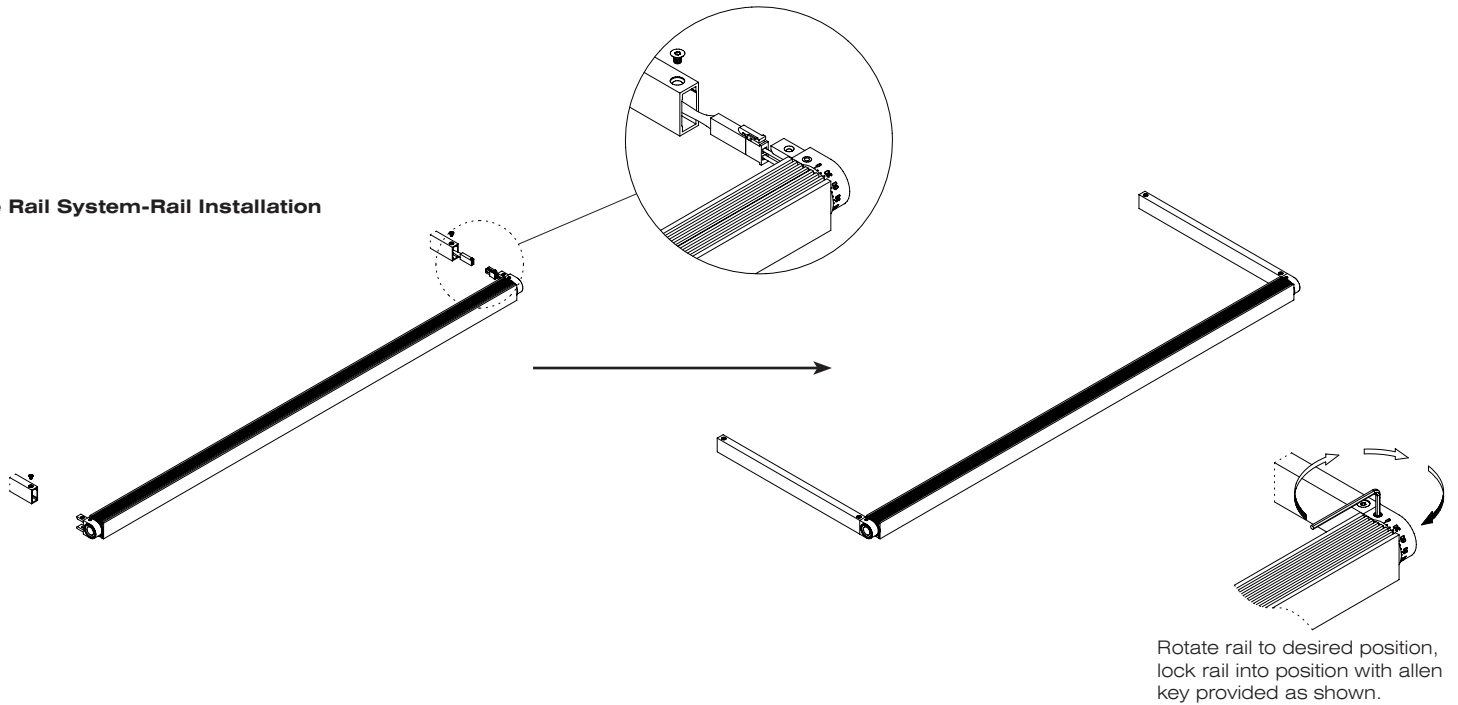
- 1.) Accurate placement and alignment of **Zero Canopy** is **very important**. Once mudded, NO adjustability is possible! To determine mounting locations and layouts, refer to Layout Diagram on Page 5. Install single canopies at each end of system and double canopies at all mid-sections. Mount **Zero Canopy** to blocking using screws provided, but do not tighten screws. Re-check alignment and levelness of plates. Once alignment is confirmed, tighten screws.
- 2.) **IMPORTANT!** Before installing remote remote power supply housing, see Wiring Diagram on Page 4. Mount remote power supply housing to a location that is accessible after installation. For remote power supply max distance allowed, see Page 4.
- 3.) Make conduit connections between remote power supply housing and **Zero Canopy** with conduit. **Zero Canopy** is supplied with 1/2-14 NPSM female conduit thread. Conduit and conduit adapters provided by others.
- 4.) AFTER drywall and **Zero Canopy** is mudded, insert wire harness through **Zero Canopy** as shown below. If using WingRail for your system, make sure you install wire harness according to WingRail Orientation Page (included if applicable). Pull wire harness from **Zero Canopy** to remote power supply housing. Leave 1" plus length of arm (example: 12" arm + 1" = 13") extending from **Zero Canopy**. See Wiring Diagram on Page 4.
- 5.) Feed wire harness through arm. Leave wire harness connector extending approximately 1" out of arm. Secure arm to Zero Canopy using screws provided. Please note that screws should be *mounted on top* of arm (least visible position) as illustrated.



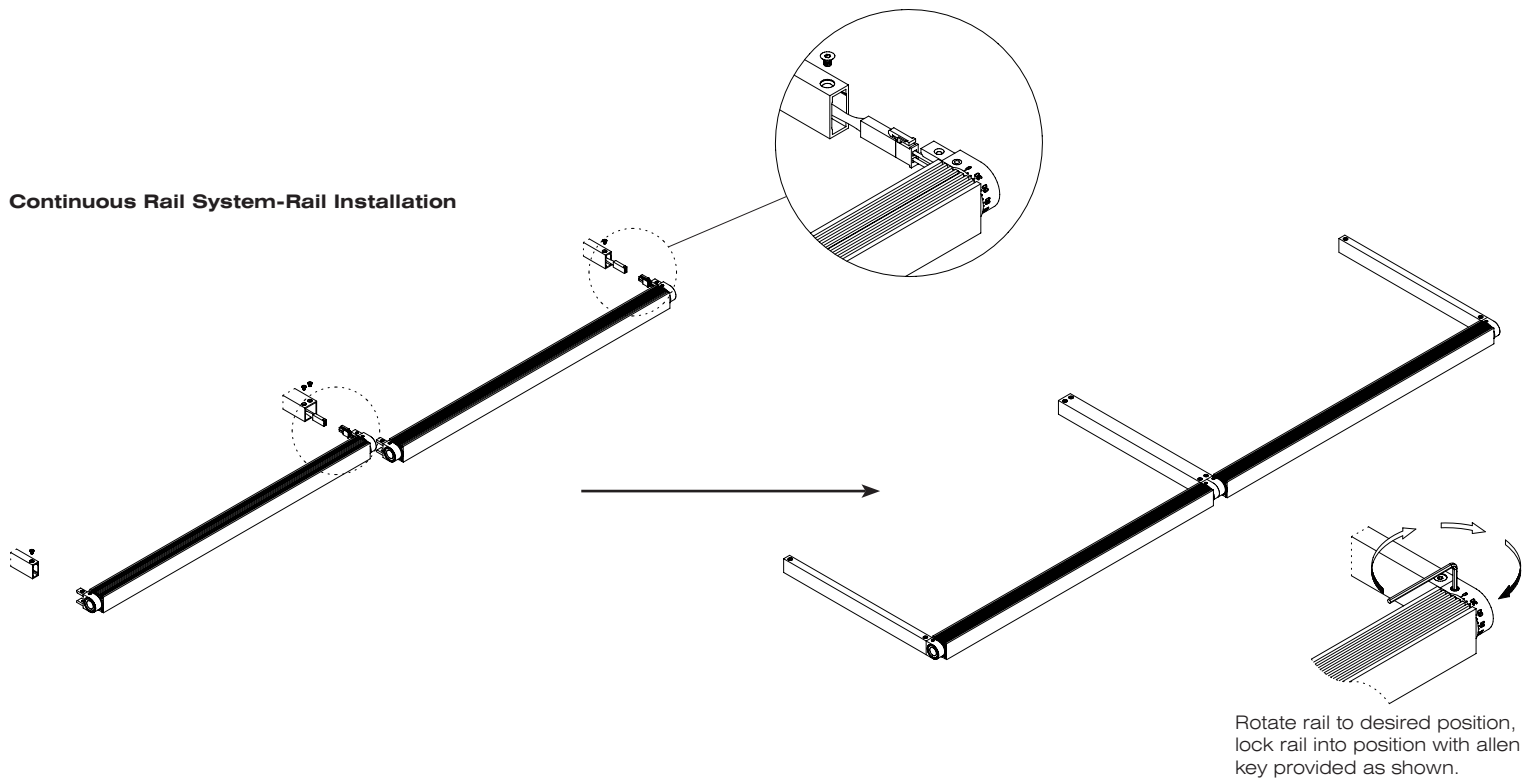
- 6.)** Install rail by snapping connector on arm to mating connector on rail.
Be sure that male and female connectors firmly snap together.
Secure rail to arm using screws provided.
Adjust rail to desired position and lock with screws provided.

Power ON System.

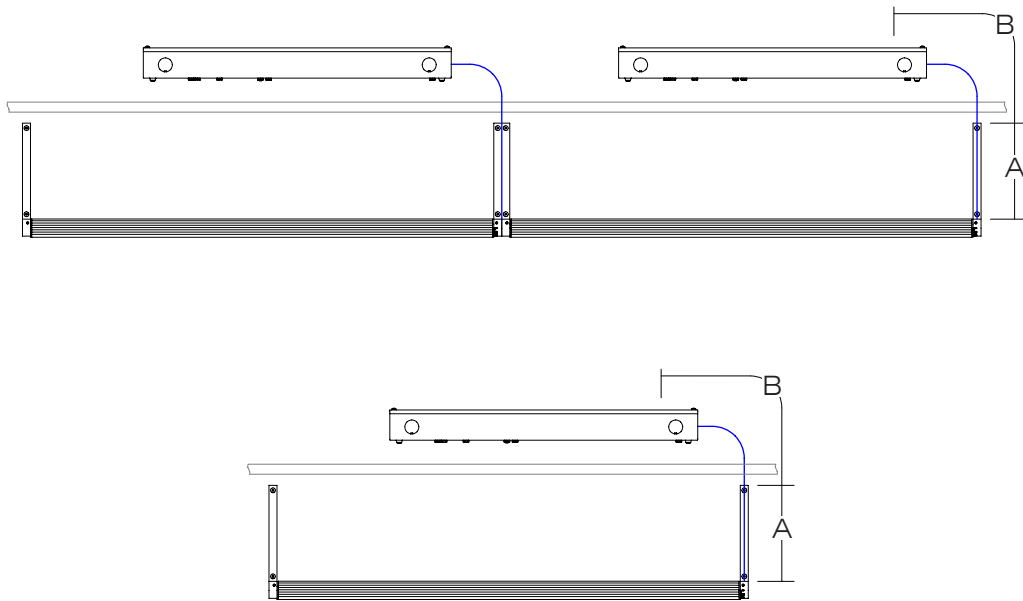
Single Rail System-Rail Installation



Continuous Rail System-Rail Installation



Power Supply to Rail Wire Harness Wiring Diagram:



IMPORTANT:

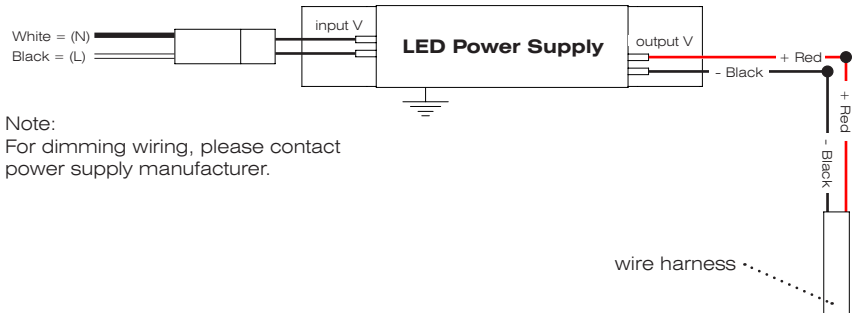
Do not exceed maximum allowable distance between LED power supply to Rail, add arm length + arm to power supply distance in calculation.

Maximum distance from Power Supply to Rail:
 Non-dimming Power Supply 25'
 0-10% Dimming 25'

Example:

A + B = maximum distance allowed.

Power Supply Wiring Diagram:



Note:
 For dimming wiring, please contact power supply manufacturer.

Typical center-to-center rail layout for 2', 3', 4', 5', 6' and 8' Rails

