



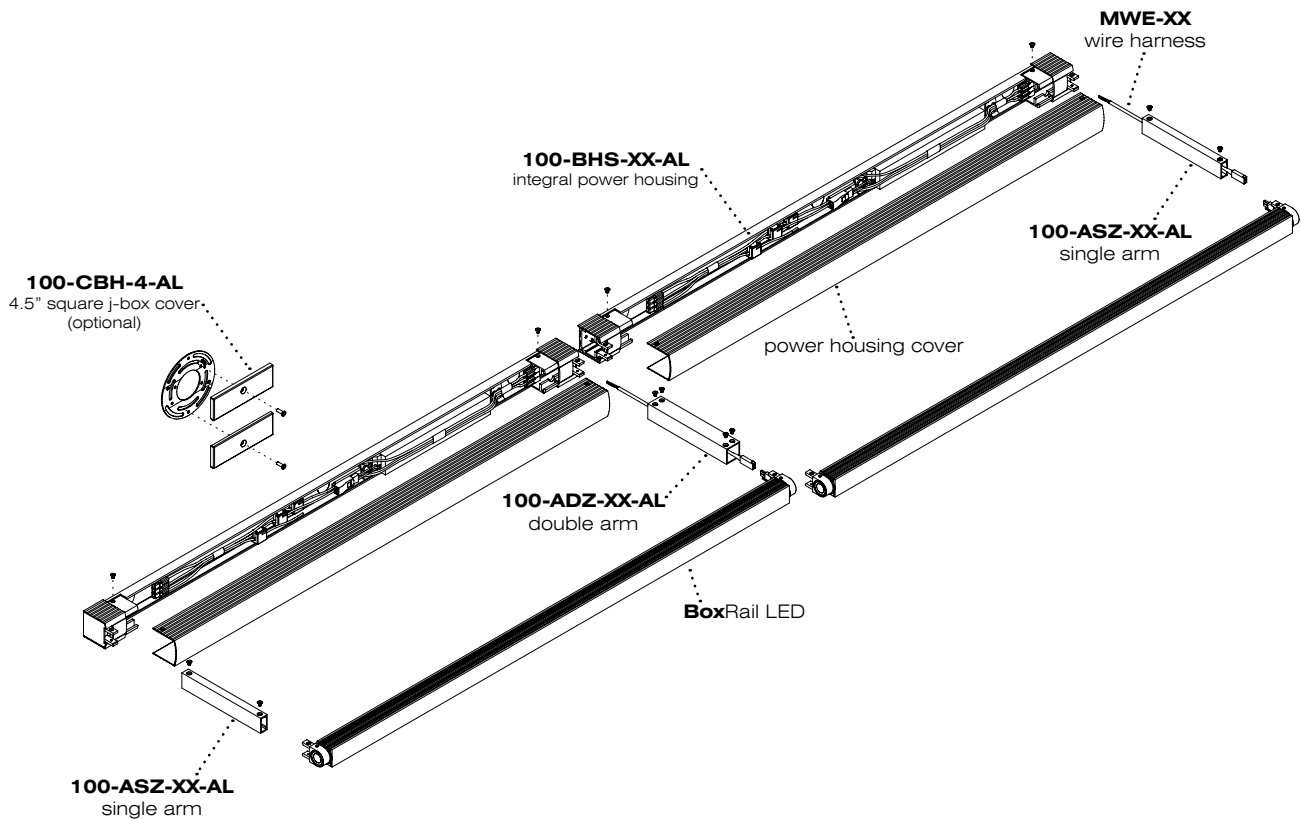
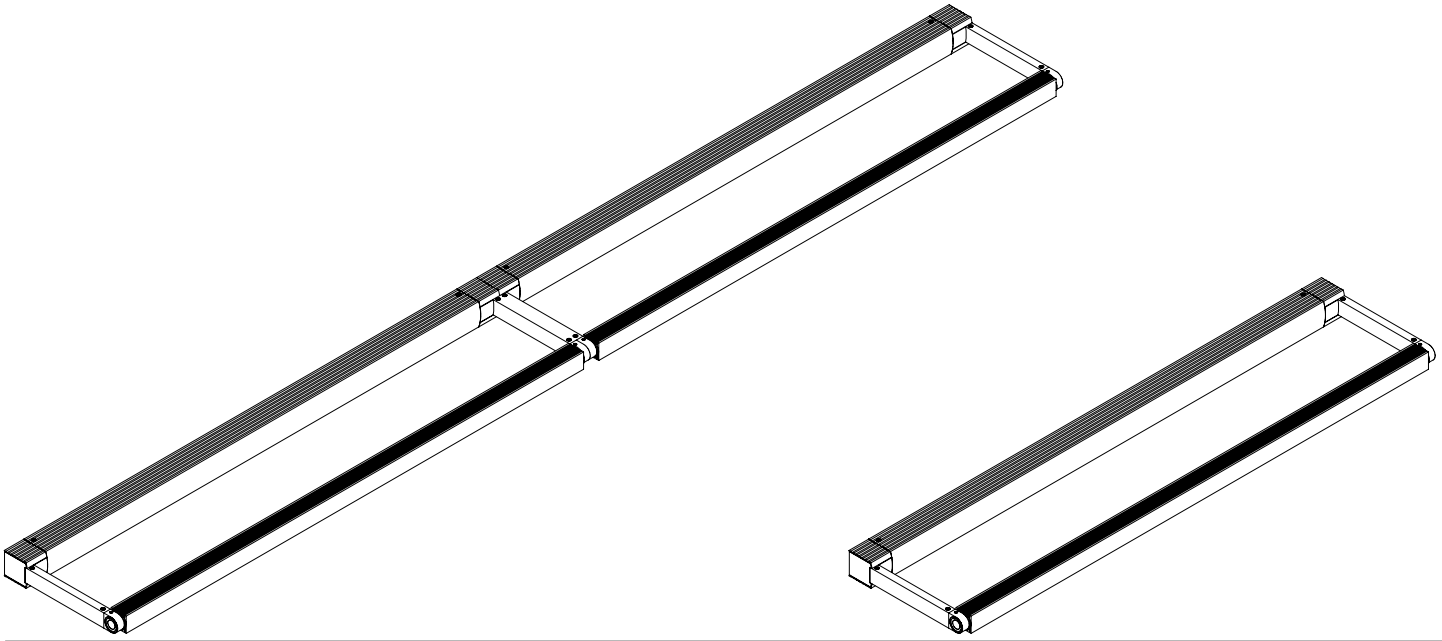
100 Series

Modular Light Rail System LED

Integral LED Power Housing / Single & Multi Rail System

Install Guide

Please read instructions in their entirety before proceeding with any part of the installation. This luminaire must be installed in accordance with the National Electric Code and local regulations. Use of ballast or other components not supplied by Vode Lighting voids warranty. To prevent electric shock, turn off electricity at the fuse box before proceeding. Do not install this product in wet locations. UL listed for dry and damp locations only. Retain instructions for future reference. Technical Support: 707-996-9898





100 Series

Modular Light Rail System LED

Integral LED Power Housing / Single & Multi Rail System

1. Installing Integral Ballast Housing Back Plate to Surface:

IMPORTANT: When installing power housing assembly, it is very important to secure the aluminum **End Blocks** to the mounting surface as illustrated. **Blocking** or engineered anchors are recommended at all End Block locations.

To see back plate knock-out hole locations see page 4.

Remove ballast housing cover, be careful not to damage the finish.

Direct conduit feed is recommended but power housing will mount to any standard j-box as shown on single rail system. For direct conduit feed shown on multi rail system, attach conduit to power housing using conduit adaptor (provided by others). Install power housing to surface making sure its plumbed and leveled. For multi rail systems remove end plate from joint sections of power housing. Install next power housing to surface making sure its flush against first one. Use double arm to align power housings as shown.

If using j-box to power system as shown on single rail system, feed line voltage wires through round mounting plate as secure with screws provided. Mounting plate lines should be align with desired mount position, vertical or horizontal. Install power housing making sure its leveled and power housing is placed exactly between both lines on mounting plate. Secure cover plates to mounting plate with screws provided.

2. Installing Arms, Making Line Voltage/Ballast To Rail Connections:

IMPORTANT! Before installing arms, see rail to ballast - wire harness connection on page 4. If using WingRail on your system, make sure you install arms with wire harness according to WingRail orientation.

If end caps are not installed, Install end caps on either side of system, secure with screws provided. Slip Wire Harness through arms, for single rail systems install single arms at ends of system and secure with screws provided.

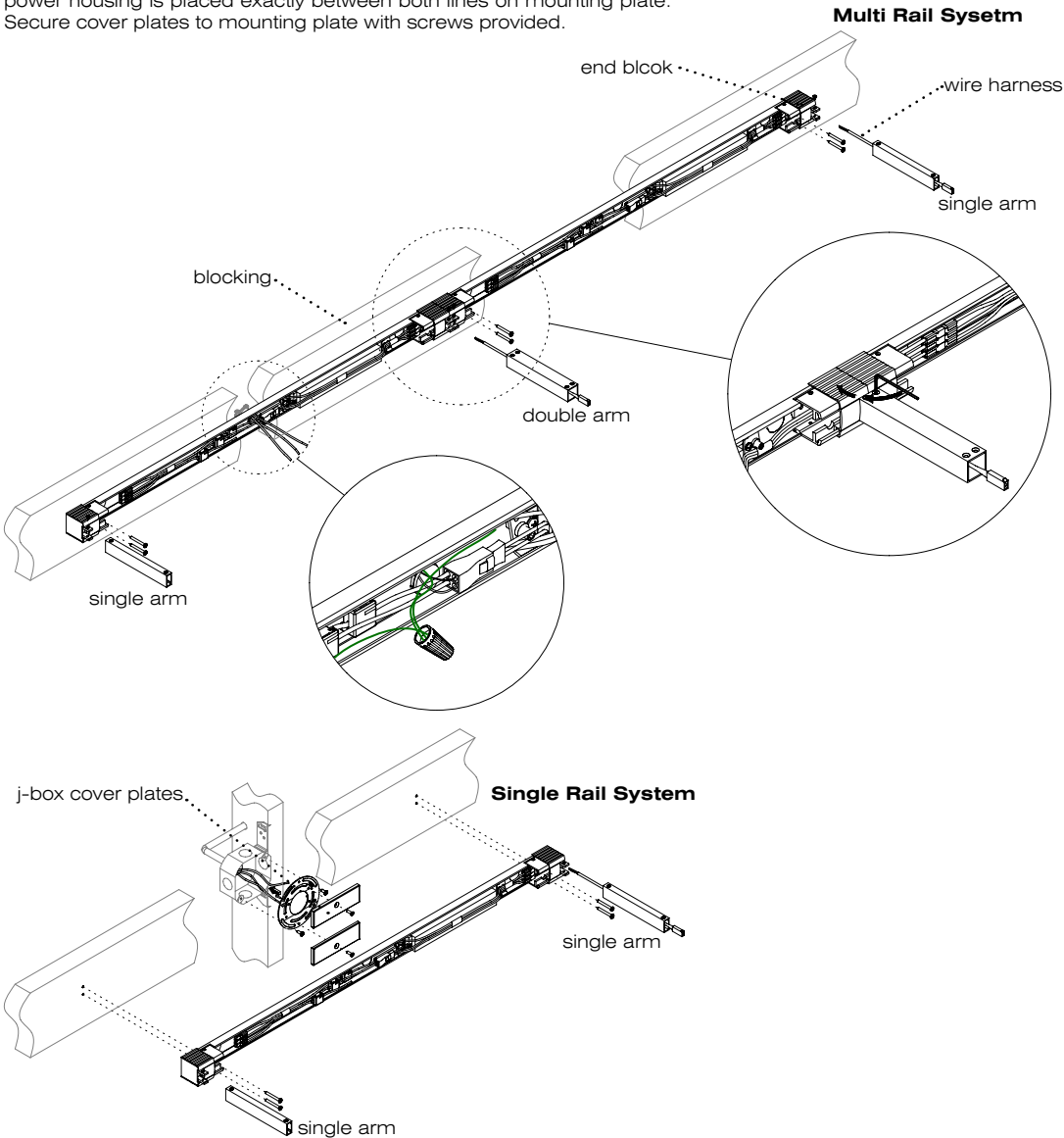
For multi rail systems, install double arms on all mid joint sections.

Make sure to leave 1" of wire harness hanging out of arm. Make line voltage connections to connector disconnect provided by Vode.

Vode provides each power housing with power harness. For multi rail systems, make power harness connections from one power housing to another.

Make sure back plate is grounded. Make wire harness to ballast connections, see page 5 for wiring diagram.

DO NOT power on system at this time.





100 Series

Modular Light Rail System LED

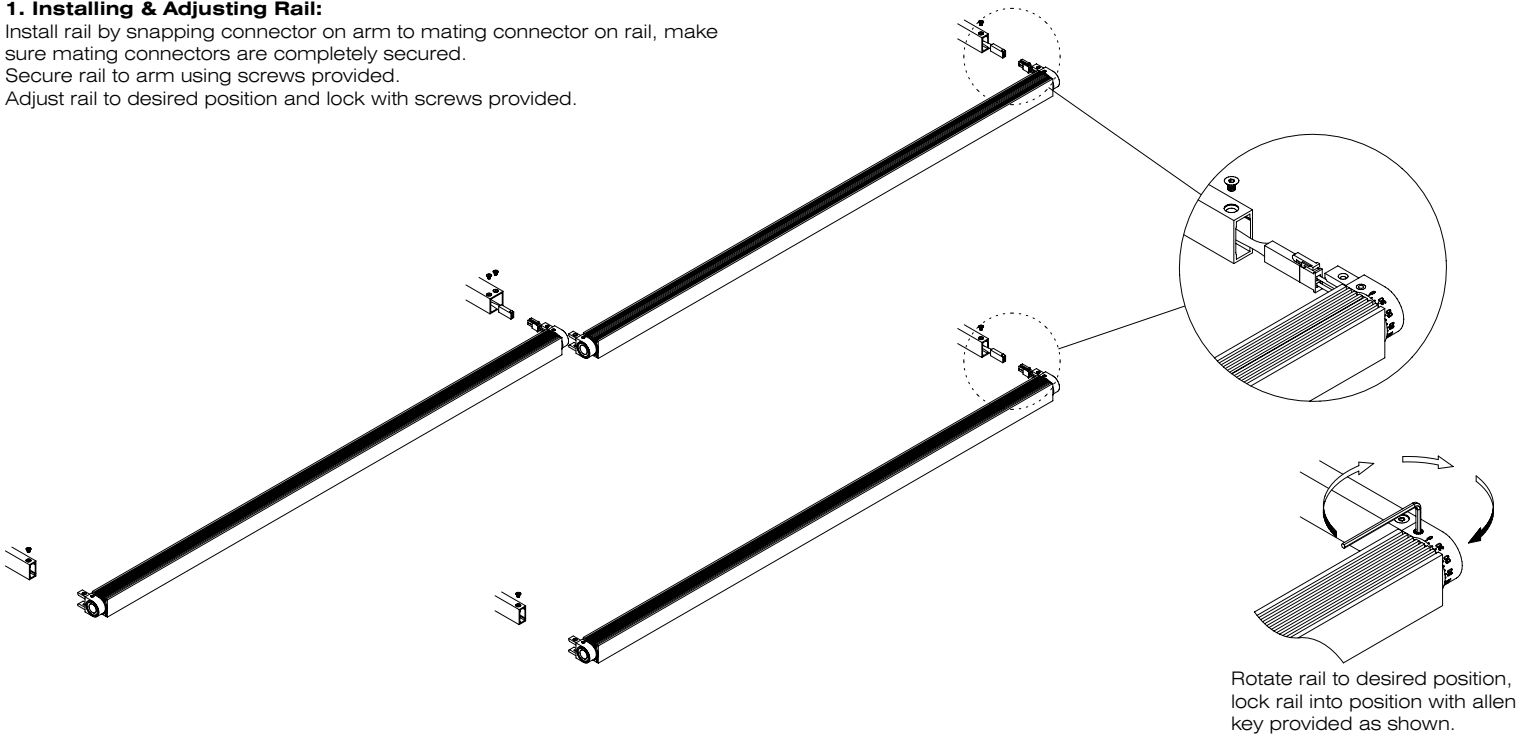
Single & Multi Rail System / VodeRail LED Installation Guide

1. Installing & Adjusting Rail:

Install rail by snapping connector on arm to mating connector on rail, make sure mating connectors are completely secured.

Secure rail to arm using screws provided.

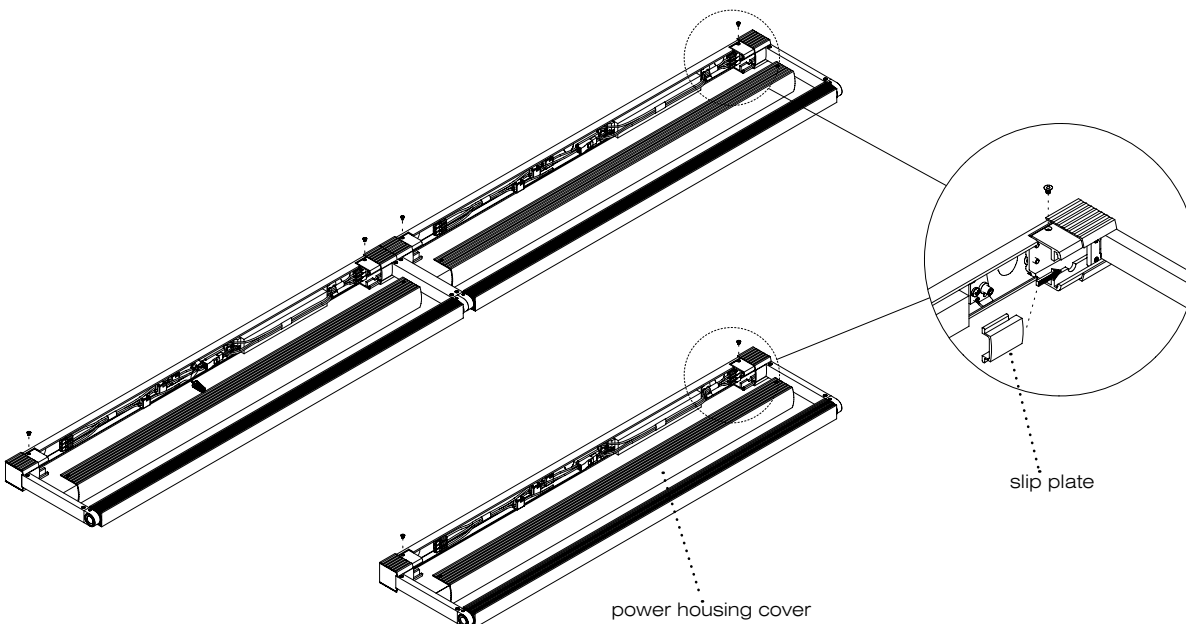
Adjust rail to desired position and lock with screws provided.



5. Replacing Power Housing Cover:

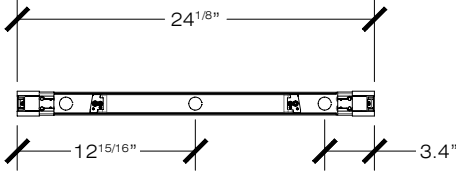
IMPORTANT: Before installing power housing cover, power ON system and make sure system is fully working.

Slip end block slip plate, replace power housing cover making sure wires are not pinched between back-plate and housing cover. Secure using screws provided.





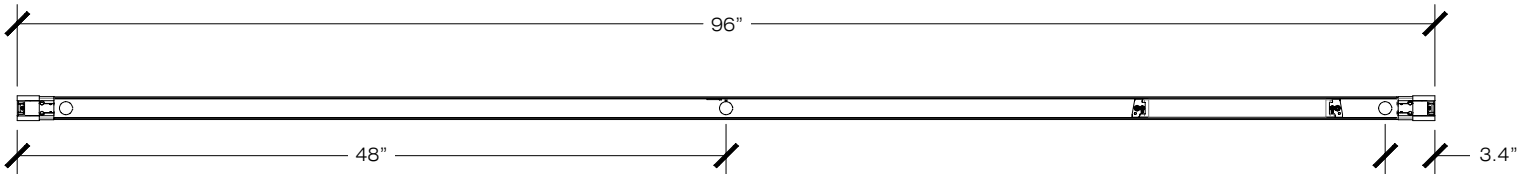
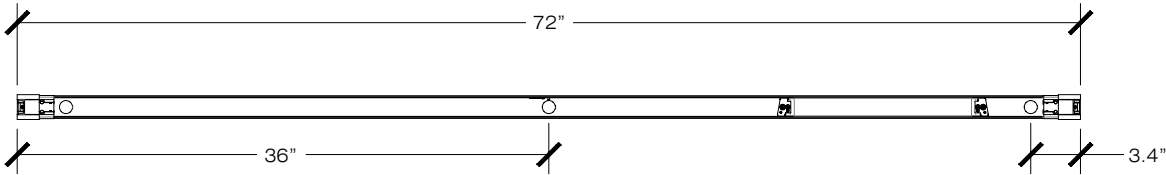
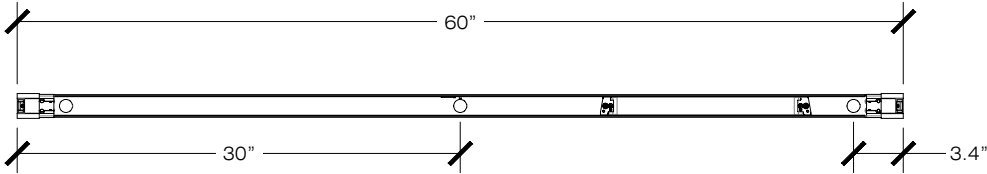
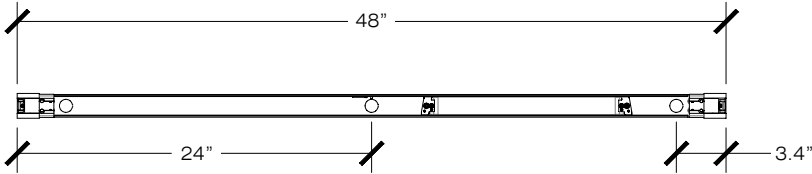
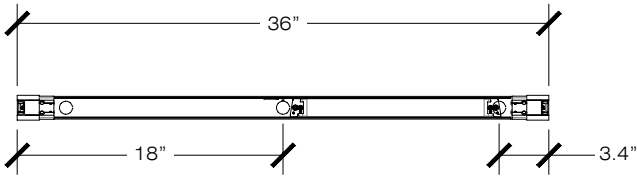
100 Series
Modular Light Rail System T5 / LED
Integral Power Housing Knock out Locations



NOTE:

If using 24^{1/8}" back plate with fluorescent ballast the center knock out can not be used to power feed ballast. Middle knock out only for LED applications.

LED available only for 2', 3', 4', 5' and 6' lengths.





100 Series

Modular Light Rail System LED

Integral LED Power Supply Housing Wiring Diagram

IMPORTANT:

Do not exceed maximum allowable distance between LED power supply to Rail, add drop length + power supply to j-box distance in calculation.

Maximum distance from Power Supply to Rail:

Non-dimming Power Supply

25'

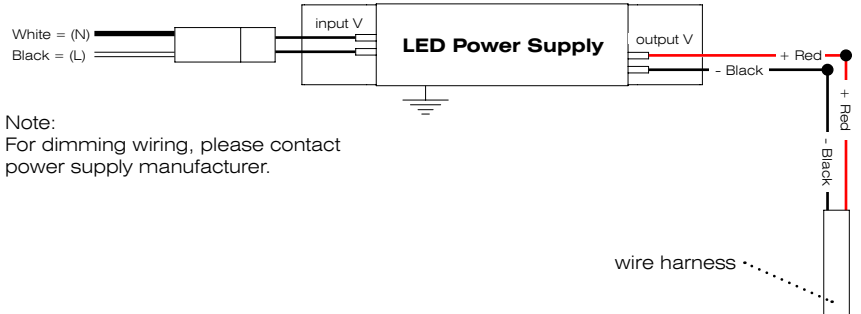
0-10% Dimming

25'

Example:

A + B = maximum distance allowed.

Power Supply Wiring Diagram:



Power Supply to Rail Wire Harness Wiring Diagram:

