



## Spec Guide

# ZipOne™ | 707

Task and cove lighting for interior corporate, hospitality, retail and display applications.



ZipOne: direct or indirect, task and cove light.

### Benefits & Features

#### Ultra low profile design

0.3" (7mm) x 1.14" (29mm).

#### Superior & Seamless Light Quality

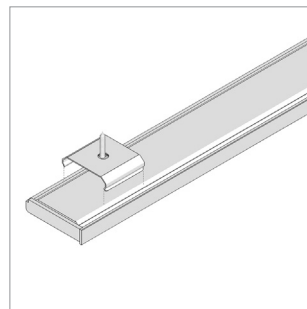
Standard Output up to 118 lm/W, 803 lm/ft (2635 lm/m) and 84 CRI.  
High Output up to 1147 lm/ft (3763 lm/m). 90 CRI available.

#### Mountable Virtually Anywhere

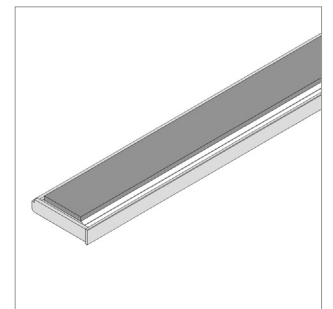
Mounts with magnet strips, double sided tape or low profile clips in any orientation.

#### Easy Specification and Installation

Super-simple specifications and robust yet lightweight design.



Shown: Clip Mount



Shown: Magnet Strip Mount

## Build Your Specification

<b>707-Z1</b>				»»
---------------	--	--	--	----

<b>System &amp; Rail Type</b>	<b>System Length</b>	<b>Rail Length</b>	<b>Mounting</b>	<b>Power Type<sup>1</sup></b>
<b>707-Z1</b> ZipOne	Specify total system length in 1ft (305mm) increments.	<b>24</b> 24" (610mm) <b>36</b> 36" (914mm) <b>48</b> 48" (1219mm) <b>60</b> 60" (1524mm) <b>72</b> 72" (1829mm) <b>ZZ</b> Other rail length or layout (please specify)	<b>C</b> Clip Only <b>CM</b> Clip with Micro J-Box* <b>M</b> Magnet Strip <b>T</b> Tape* <b>ZZ</b> Other (please specify)	<b>Portable Power</b> <b>WP</b> Wall Plug with On/Off Switch <sup>2</sup>  <b>Remote Power</b> <b>AE</b> eldoLED 0-10v, 1.0% Dimming <b>AT</b> eldoLED 0-10v, 0.1% Dimming <b>AD</b> eldoLED DALI, 0.1% Dimming <b>AX</b> eldoLED DMX, 100-0% Dimming <sup>3</sup> <b>AH</b> Lutron Hi-lume 1.0% EcoSystem (LDE1) <sup>4</sup> <b>AH2</b> Lutron Hi-lume 1.0% 2-wire (LTE) <sup>5</sup> <b>AH3</b> Lutron Hi-lume 1.0% EcoSystem/3-wire (L3D) <b>ZZ</b> Other (please specify)

»»	<b>0</b>	<b>Z</b>		»»
----	----------	----------	--	----

<b>Voltage</b>	<b>Emergency Power</b>	<b>LED Type</b>	<b>Lumen Output</b>	<b>Color Temperature</b>
<b>1</b> 120v <b>2</b> 120v-277v <b>4</b> 120v-240v <b>X</b> Not Yet Specified	Contact Vode or your Vode agent for emergency power options.	<b>Z</b> Zipper Board	<b>LO</b> Low Output <b>SO</b> Standard Output <b>HO</b> High Output <sup>6</sup> <b>ZZ</b> Other (please specify) <sup>7</sup>	<b>80+ CRI</b> <b>27</b> 2700K <b>30</b> 3000K <b>35</b> 3500K <b>40</b> 4000K <b>ZZ</b> Other (please specify)  <b>90+ CRI</b> <b>279</b> 2700K <b>309</b> 3000K <b>359</b> 3500K <b>409</b> 4000K <b>ZZ</b> Other (please specify)

»»				
----	--	--	--	--

<b>Optics</b>	<b>Sensors</b>	<b>Finish</b>
<b>1</b> Diffuse Lens <b>A2</b> 120° Asymmetric* <b>ZZ</b> Other (please specify)	<b>0</b> None <b>1</b> Vacancy Sensor* <b>2</b> Occupancy Sensor* <b>ZZ</b> Other (please specify)	<b>AL</b> Clear Anodized <b>ZZ</b> Other (please specify)

### NOTES & LIMITATIONS

- <sup>1</sup>Dimming curve is factory preset to linear. Logarithmic is available upon request.
- <sup>2</sup>WP is only available with Low Output (LO)
- <sup>3</sup>AX is not available with High Output (HO)
- <sup>4</sup>AH is not available with 24", 72" rail lengths
- <sup>5</sup>AH2 is only available in 120v
- <sup>6</sup>HO is not available with 60", 72" rail lengths in AH2, AH3
- <sup>7</sup>See [Drive Guide](#) for limitations and see the [IES Files](#) page for performance data
- <sup>\*</sup>Coming Soon. Contact Vode or your Vode agent for more information.

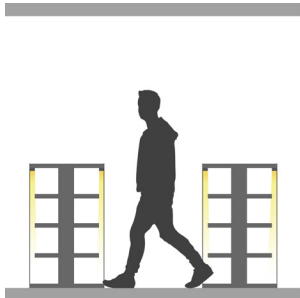


## Applications

### Under and Over Cabinet



### Shelf and Stack



### Perimeter Slot and Cove



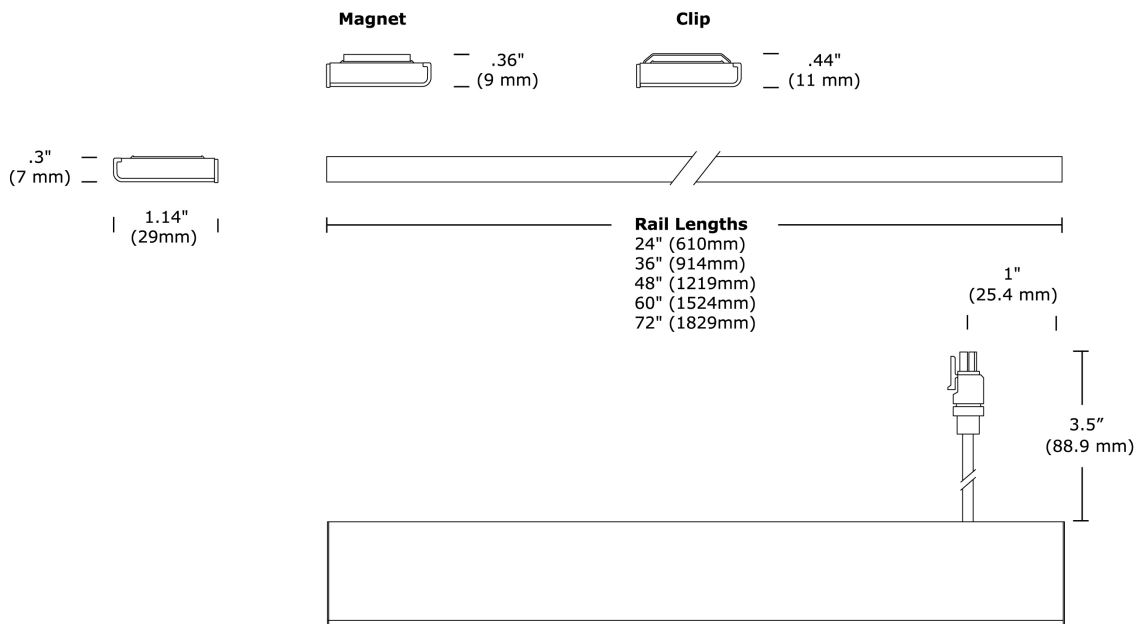
## Structure

Rail Lengths	24" (610mm), 36" (914mm), 48" (1219mm), 60" (1524mm), 72" (1829mm).
Rail Dimensions	0.3" (7mm) x 1.14" (29mm).
Construction / Finish	Extruded and machined 6063 aluminum. Clear Anodized and non-standard finishes available.
Mounting	Various permanent and portable mounting options.
Run Length	24" (610mm) minimum. Rail lengths may be installed end-to-end to any length.
Operating Temperature	32°F to 104°F (0°C to 40°C).
Humidity	0-95%, non-condensing.
System Weight	0.26lbs (0.12kg) per foot (305mm). <sup>1</sup>

## Materials

LED Board	Aluminum core PCB, black LCP connectors, RoHS compliant.
Lenses	High-impact extruded acrylic glass (PMMA).
Power Cable	Ø3mm, 22/2 AWG, UL2661, FEP insulated w/ PVC jacket.
Remote Power Housing	1/16" (0.8mm) formed steel, zinc chromate plating.

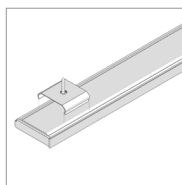
## Dimensions



## Mounting Options



Magnet Strip



Clip

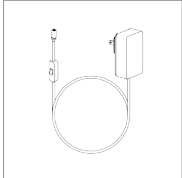
### NOTES & LIMITATIONS

<sup>1</sup>Weight based on system consisting of 4' (1219mm) rail, 4' (1219mm) cable drop and mounting hardware. Power supply and housing not included.

## Power / Controls

Power Type	Class 2 (<60v output) constant current driver.
Controls	Dimming <sup>1</sup> (0.1%, 1%) and 0-10v, DALI, DMX, Lutron Hi-lume 1% are available. See <a href="#">Driver Guide</a> for details.
Input Voltage	120-277v, 50/60hz.
Power Location	Remote power. Maximum remote distance is 72' (22m), depending on driver selection. See <a href="#">Driver Guide</a> for more information.

### Plug-in Power Supply

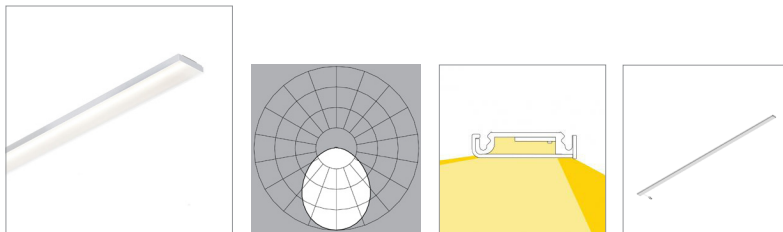


Wall Plug with On/Off Switch

## Performance

Zipper Board has 72 diodes per foot (305mm). Performance data below.<sup>2</sup>

### 40° Symmetric



	80 CRI				90 CRI			
	2700K	3000K	3500K	4000K	2700K	3000K	3500K	4000K
<b>Low Output (LO)</b>								
Efficacy - Lumens per Watt	86	90	93	97	86	90	93	97
Lumens per foot (305mm)	358	374	389	405	358	374	389	405
Watts per foot (305mm)	4.2	4.2	4.2	4.2	4.2	4.2	4.2	4.2
CRI (>80min., 84 avg.)	-	-	84	-	-	-	84	-
<b>Standard Output (SO)</b>								
Efficacy - Lumens per Watt	104	109	114	118	104	109	114	118
Lumens per foot (305mm)	711	741	772	803	711	741	772	803
Watts per foot (305mm)	6.9	6.9	6.9	6.9	6.9	6.9	6.9	6.9
CRI (>80min., 84 avg.)	-	-	84	-	-	-	84	-
<b>High Output (HO)</b>								
Efficacy - Lumens per Watt	97	102	106	110	97	102	106	110
Lumens per foot (305mm)	1015	1059	1103	1147	1015	1059	1103	1147
Watts per foot (305mm)	10.5	10.5	10.5	10.5	10.5	10.5	10.5	10.5
CRI (>80min., 84 avg.)	-	-	84	-	-	-	84	-

90 CRI Coming Fall 2017

### NOTES & LIMITATIONS

<sup>1</sup>Dimming curve is factory preset to linear. Logarithmic is available upon request.

<sup>2</sup>Based on testing 4' rail section. Lumen measurement complies with IES-LM-79-08 testing procedures.

Copyright © 2017 Vode Lighting LLC. All rights reserved.

The Vode logo and Vode, ZipOne and Zipper Board names are either registered trademarks or trademarks of Vode Lighting LLC in the United States and/or other countries. All other brand or product names are trademarks or registered trademarks of their respective owners. Due to ongoing innovation, specifications may change without notice.

Vode Lighting LLC | 21684 Eighth Street East, Suite 700, Sonoma, CA 95476 | 707.996.9898