



Spec Guide

WingRail™ | Table Arm | 107

Task lighting for interior corporate, educational and library applications.



WingRail, direct or indirect, 370° rotation.

Benefits & Features

Low Profile Robust Design

Asymmetric profile, 1.12" (28mm) x 2.12" (54mm), 370° rotation, angle gauge and lock.

Superior Light Quality & Performance

Standard Output up to 128 lm/W, 802 lm/ft (2631 lm/m) and 84 CRI.
High Output up to 1476 lm/ft (4841 lm/m). 90 CRI available.

Adaptive Power Modules

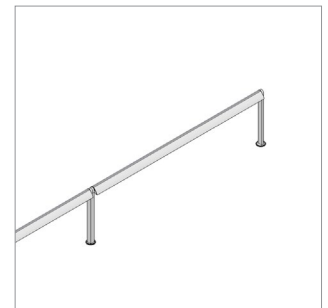
Remote power, 0.1% dimming available for all configurations.

Elegant Power Accessories

In-table power receptacle and on/off switch options available.



Shown: Arm Anchor



Shown: Arm Anchor

Build Your Specification

107-WG				TA	▶▶
System & Rail Type	Single/Double Rail	System Length	Rail Length	Mounting	Arm Length
107-WG WingRail	01 Single Rail 03 Double Rail with 3" (76mm) Tee 06 Double Rail with 6" (152mm) Tee 12 Double Rail with 12" (305mm) Tee ZZ Other (please specify)	Specify total system length in 1ft (305mm) increments.	24 24" (610mm) 36 36" (914mm) 48 48" (1219mm) 60 60" (1524mm) 72 72" (1829mm) ZZ Other rail length or layout (please specify)	TA Table Arm	18 18" arm (457mm) ZZ Other (please specify) ¹

▶▶	2T			0	▶▶
Power Location	Power Type²	Voltage	Emergency Power	LED Type	
Remote Power 2T Arm Anchor	AE eldoLED 0-10v, 1.0% Dimming AT eldoLED 0-10v, 0.1% Dimming AD eldoLED DALI, 0.1% Dimming AX eldoLED DMX, 100-0% Dimming ³ AH Lutron Hi-lume 1% EcoSystem (LDE1) ⁴ AH2 Lutron Hi-lume 1% 2-wire (LTE) ⁵ AH3 Lutron Hi-lume 1% EcoSystem/3-wire (L3D) ZZ Other (please specify)	1 120v 2 120v-277v 4 120v-240v X Not Yet Specified	<i>Contact Vode or your Vode agent for emergency power options.</i>	Z Zipper Board ZZ Other (please specify)	

▶▶					
Lumen Output	Color Temperature	Optics	Sensors	Finish	Options
LO Low Output SO Standard Output HO High Output ^{6,7,8} ZZ Other (please specify) ⁹	80+ CRI 27 2700K 30 3000K 35 3500K 40 4000K ZZ Other (please specify) 90+ CRI 279 2700K 309 3000K 359 3500K 409 4000K ZZ Other (please specify)	Zipper Board (Z) 0 Clear Lens 1 Diffuse Lens WB White Baffle BB Black Baffle* C1 Clear with Edge Softening* D1 Diffuse* ZZ Other (please specify)	0 None ZZ Other (please specify) ¹⁰	AL Clear Anodized WH White Painted BL Black Anodized ZZ Other (please specify)	0 None 1 On/Off Switch ¹¹ 3 9' 18/3 Cord and Plug

NOTES & LIMITATIONS

- ¹Arm lengths >48" not recommended
 - ²Dimming curve is factory preset to linear. Logarithmic is available upon request.
 - ³AX is not available with High Output (HO)
 - ⁴AH is not available with 24" rail lengths
 - ⁵AH2 is only available in 120v
 - ⁶HO is not available with 60" rail lengths in AT, AD, AH2, AH3
 - ⁷HO is not available with 48" rail lengths in AH2, AH3
 - ⁸HO is not available with 60", 72" rail lengths in AH2, AH3
 - ⁹See [Driver Guide](#) for limitations and see the [IES Files](#) page for performance data
 - ¹⁰Occupancy and daylight sensors are available. Contact Vode or your Vode agent with your specific requirements.
 - ¹¹One On/Off Switch per LED Driver
- *Coming Soon. Contact Vode or your Vode agent for more information.

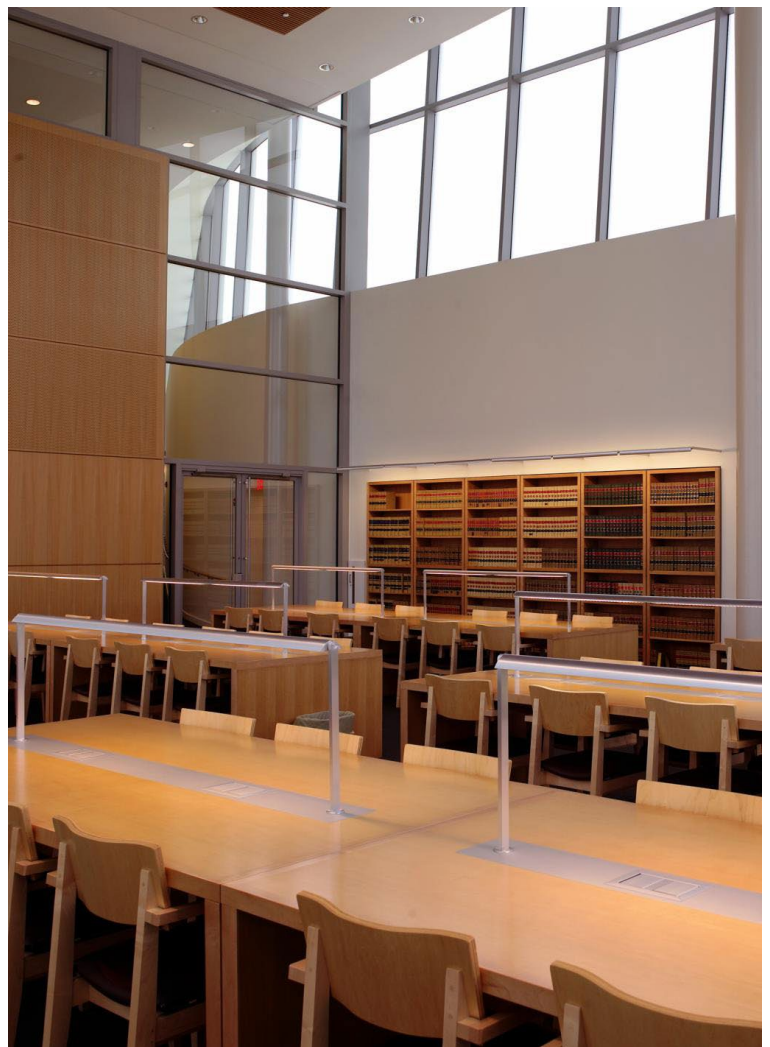


Applications

Corporate, Educational, and Library



Saddleback College Library, Mission Viego, CA



Penn State University, Dickinson School of Law Library, University Park, PA

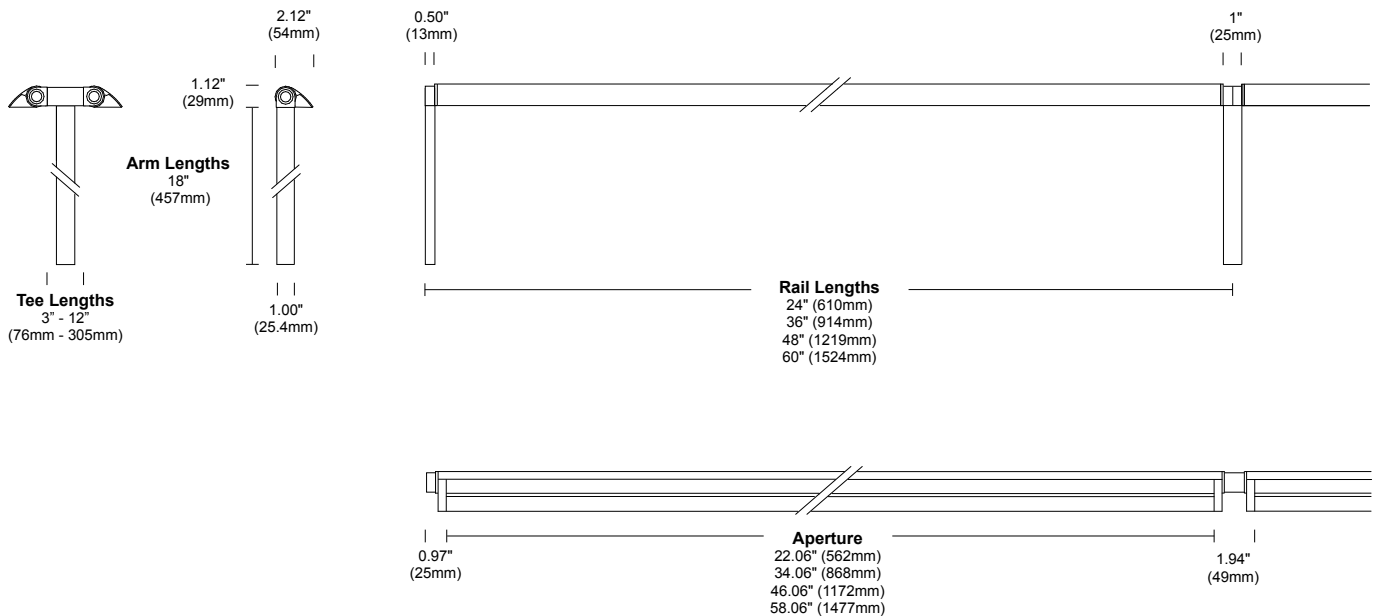
Structure

Rail Lengths	24" (610mm), 36" (914mm), 48" (1219mm), 60" (1524mm).
Rail Dimensions	1.12" (29mm) x 2.12" (54mm).
Construction / Finish	Extruded and machined 6063 aluminum. Clear anodized, black anodized, white painted and non-standard finishes available.
Mounting	Table mount to Arm Anchor.
Arm Length	18" (457mm). Non-standard arm lengths available. Arm lengths >48" (1219mm) not recommended.
System Run Length	24" (610mm) minimum. Unlimited maximum.
Operating Temperature	32°F to 104°F (0°C to 40°C).
Humidity	0-85%, non-condensing.

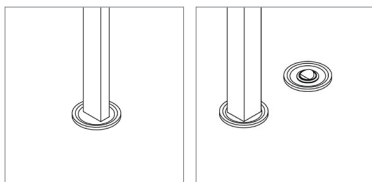
Materials

LED Board Construction	Aluminum core PCB, black LCP connectors, RoHS compliant.
Clear Lens, Diffuse Lens	High-impact extruded acrylic glass (PMMA).
Baffle	6063 Aluminum, RoHS compliant painted finish.
Button Optics	High-impact cast acrylic glass (PMMA), polycarbonate (PC) holder.
Power Cable	Ø4mm, 18/2 AWG, Plenum (CMP) rated semi-rigid PVC, flame tested UL-910.
Cable Connectors	Unfilled white nylon, rated UL 94 V-0, halogen free, PVC overmold, RoHS compliant.
Remote Power Housing	1/16" (0.8mm) formed steel, zinc chromate plating.

Dimensions



Mounting Hardware



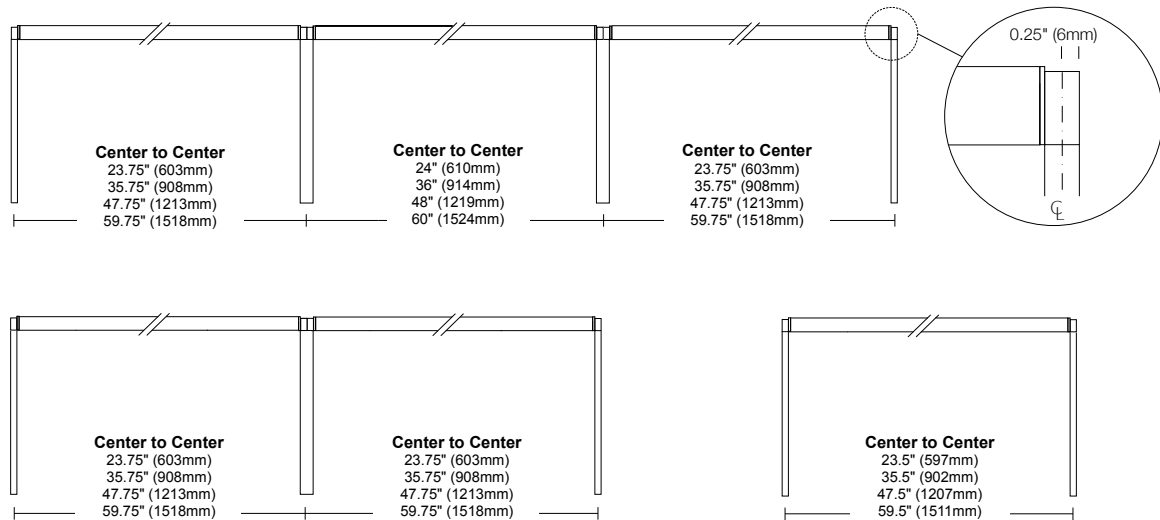
Arm Anchor
h0.1" (3mm)
Ø2" (51mm)

On Off Switch
(optional)

NOTES & LIMITATIONS

*Weight based on system consisting of 4' (1219mm) rail, 4' (1219mm) arm and mounting hardware. Power supply and housing not included.

Layout



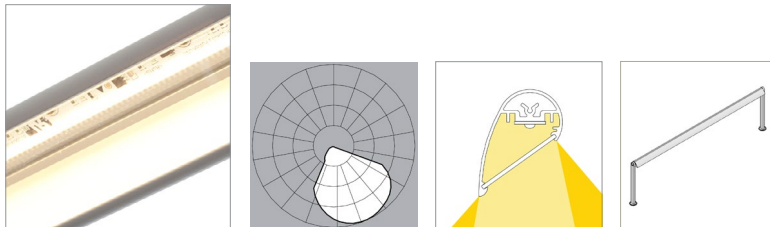
Power / Controls

Power Type	Class 2 (<60v output) constant current driver.
Dimming Controls	Dimming ¹ (0.1%, 1%) and 0-10v, DALI, DMX, Lutron Hi-lume 1% are available. See Driver Guide for details.
Input Voltage	120v - 277v, 50/60hz.
Power Location	Integral or remote power. Maximum remote distance up to 72' (22m) depending on driver selection. See Driver Guide for details.

Performance

Zipper Board has 72 diodes per foot (305mm). Performance data for standard output is listed below.²

Clear Lens



	80 CRI				90 CRI			
	2700K	3000K	3500K	4000K	2700K	3000K	3500K	4000K
Low Output (LO)								
Efficacy - Lumens per Watt	92	96	100	104	83	87	91	94
Lumens per foot (305mm)	355	370	386	401	320	334	348	362
Watts per foot (305mm)	3.9	3.9	3.9	3.9	3.9	3.9	3.9	3.9
CRI (>80min., 84 avg.)	-	-	-	-	-	-	-	-
Standard Output (SO)								
Efficacy - Lumens per Watt	113	118	123	128	101	105	110	114
Lumens per foot (305mm)	709	740	771	802	640	671	702	724
Watts per foot (305mm)	6.3	6.3	6.3	6.3	6.4	6.4	6.4	6.4
CRI (>80min., 84 avg.)	-	-	84	-	-	-	84	-
High Output (HO)								
Efficacy - Lumens per Watt	99	103	107	112	89	93	97	101
Lumens per foot (305mm)	1305	1362	1419	1476	1178	1229	1280	1332
Watts per foot (305mm)	13.3	13.3	13.3	13.3	13.3	13.3	13.3	13.3
CRI (>80min., 84 avg.)	-	-	-	-	-	-	-	-

**90 CRI Coming
Fall 2017**

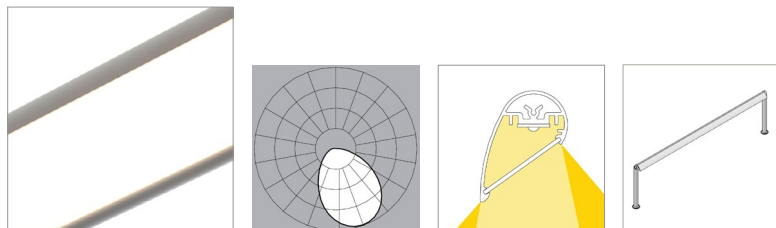
NOTES & LIMITATIONS

¹Dimming curve is factory preset to linear. Logarithmic is available upon request.
²Based on testing 4' rail section. Lumen measurement complies with IES-LM-79-08 testing procedures.

Performance

Zipper Board has 72 diodes per foot (305mm). Performance data listed below.¹

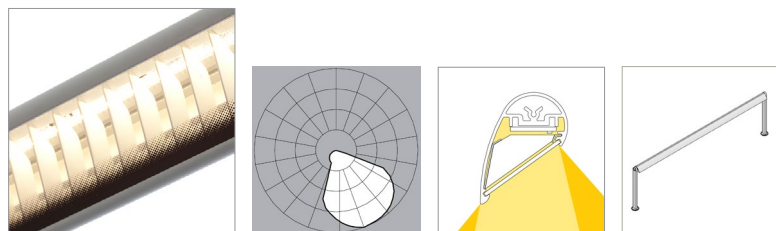
Diffuse Lens



	80 CRI				90 CRI			
	2700K	3000K	3500K	4000K	2700K	3000K	3500K	4000K
Low Output (LO)								
Efficacy - Lumens per Watt	81	84	88	91	83	87	91	94
Lumens per foot (305mm)	310	324	337	351	320	334	348	362
Watts per foot (305mm)	3.9	3.9	3.9	3.9	3.9	3.9	3.9	3.9
CRI (>80min., 84 avg.)	-	-	-	-	-	-	-	-
Standard Output (SO)								
Efficacy - Lumens per Watt	99	104	108	112	101	105	109	114
Lumens per foot (305mm)	621	648	675	702	640	667	694	724
Watts per foot (305mm)	6.3	6.3	6.3	6.3	6.4	6.4	6.4	6.4
CRI (>80min., 84 avg.)	-	-	84	-	-	-	84	-
High Output (HO)								
Efficacy - Lumens per Watt	87	90	94	98	89	93	97	101
Lumens per foot (305mm)	1142	1192	1242	1291	1178	1229	1280	1332
Watts per foot (305mm)	13.3	13.3	13.3	13.3	13.3	13.3	13.3	13.3
CRI (>80min., 84 avg.)	-	-	-	-	-	-	-	-

90 CRI Coming
Fall 2017

White Baffle



	80 CRI				90 CRI			
	2700K	3000K	3500K	4000K	2700K	3000K	3500K	4000K
Low Output (LO)								
Efficacy - Lumens per Watt	66	69	72	75	83	87	91	94
Lumens per foot (305mm)	253	264	275	286	320	334	348	362
Watts per foot (305mm)	3.9	3.9	3.9	3.9	3.9	3.9	3.9	3.9
CRI (>80min., 84 avg.)	-	-	-	-	-	-	-	-
Standard Output (SO)								
Efficacy - Lumens per Watt	81	84	88	91	101	105	109	114
Lumens per foot (305mm)	506	528	550	572	640	667	694	724
Watts per foot (305mm)	6.3	6.3	6.3	6.3	6.4	6.4	6.4	6.4
CRI (>80min., 84 avg.)	-	-	84	-	-	-	84	-
High Output (HO)								
Efficacy - Lumens per Watt	71	74	77	80	89	93	97	101
Lumens per foot (305mm)	932	972	1013	1053	1178	1229	1280	1332
Watts per foot (305mm)	13.3	13.3	13.3	13.3	13.3	13.3	13.3	13.3
CRI (>80min., 84 avg.)	-	-	-	-	-	-	-	-

90 CRI Coming
Fall 2017

NOTES & LIMITATIONS

¹Based on testing 4' rail section. Lumen measurement complies with IES-LM-79-08 testing procedures.

Copyright © 2017 Vode Lighting LLC. All rights reserved.

The Vode logo and Vode, WingRail and Zipper Board names are either registered trademarks or trademarks of Vode Lighting LLC in the United States and/or other countries. All other brand or product names are trademarks or registered trademarks of their respective owners. Due to ongoing innovation, specifications may change without notice.