



Spec Guide

RaceRail™ | Ceiling-Wall Arm | 107

Direct or indirect lighting for general interior and open office applications.



RaceRail: direct or indirect, 370° rotation

Benefits & Features

Super Slim Design

Round profile, Ø1.12" (28mm), 370° rotation, angle gauge and lock.

Superior Light Quality & Performance

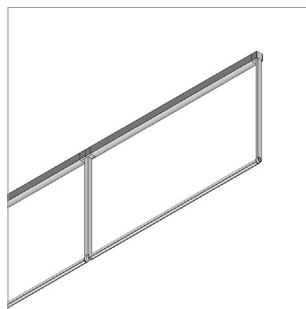
Standard Output up to 140 lm/W, 883 lm/ft (2898 lm/m) and 84 CRI. High Output up to 1625 lm/ft (5332 lm/m). 90 CRI available.

Adaptive Power Module

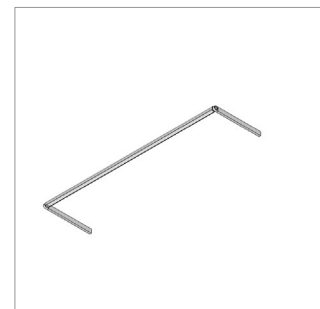
Integral or remote power, 0.1% dimming available for all configurations and protocols.

Adaptive Design

Specification-grade modular system for easy integration into building structure and furniture.



Shown: Integral Driver Housing
Multiple mounting hardware options designed to fit any application.



Shown: Zero Canopy

Build Your Specification

107-RR				
---------------	--	--	--	--

System & Rail Type	Single/Double Rail	System Length	Rail Length	Mounting	Arm Length
107-RR RaceRail	01 Single Rail 03 Double Rail with 3" (76mm) Tee 06 Double Rail with 6" (152mm) Tee 12 Double Rail with 12" (305mm) Tee ZZ Other (please specify)	Specify total system length in 1ft (305mm) increments.	24 24" (610mm) 36 36" (914mm) 48 48" (1219mm) 60 60" (1524mm) 72 72" (1829mm) ZZ Other rail length or layout (please specify)	CA Ceiling Arm WA Wall Arm	1.25 1.25" arm (32mm) ¹ 3 3" arm (76mm) 6 6" arm (152mm) 12 12" arm (305mm) 18 18" arm (457mm) ² 24 24" arm (610mm) ² ZZ Other (please specify)

			0
--	--	--	----------

Power Location	Power Type ³	Voltage	Emergency Power	LED Type
Integral Power IP Integral Power Remote Power 00 Zero Canopy 0B Zero Block 2R Small Round Canopy 2S Small Square Canopy 4R Large Round Canopy 4S Large Square Canopy	AE eldoLED 0-10v, 1.0% Dimming AT eldoLED 0-10v, 0.1% Dimming AD eldoLED DALI, 0.1% Dimming AX eldoLED DMX, 100-0% Dimming ⁴ AH Lutron Hi-lume 1% EcoSystem (LDE1) ⁵ AH2 Lutron Hi-lume 1% 2-wire (LTE) ⁶ AH3 Lutron Hi-lume 1% EcoSystem/3-wire (L3D) ZZ Other (please specify)	1 120v 2 120v-277v 4 120v-240v X Not Yet Specified	Emergency Power Contact Vode or your Vode agent for emergency power options.	Z Zipper Board

			0
--	--	--	----------

Lumen Output	Color Temperature	Optics	Sensors	Finish	Options
LO Low Output SO Standard Output ⁷ HO High Output ^{8,9,10,11,12,13} ZZ Other (please specify) ¹⁴	80+ CRI 27 2700K 30 3000K 35 3500K 40 4000K ZZ Other (please specify) 90+ CRI 279 2700K 309 3000K 359 3500K 409 4000K ZZ Other (please specify)	Zipper Board (Z) 0 Clear Lens, flat 1 Diffuse Lens, flat 2 Diffuse Lens, round G1 120° Batwing* G2 120° Flying* ZZ Other (please specify)	0 None ZZ Other (please specify) ¹⁵	AL Clear Anodized WH White Painted BL Black Anodized ZZ Other (please specify)	0 None

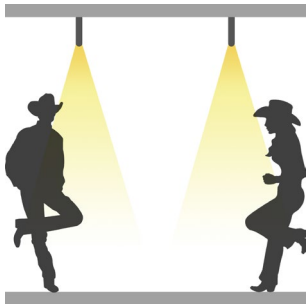
NOTES & LIMITATIONS

- ¹1.25" arm length is not available with Zero Block (0B), Small Round Canopy (2R) and Small Square Canopy (2S)
- ²For arms 18" and longer, wall-mounted systems include a cable tie-back
- ³Dimming curve is factory preset to linear. Logarithmic is available upon request.
- ⁴AX is not available with High Output (HO)
- ⁵AH is not available with 24" rail lengths
- ⁶AH2 is only available in 120v
- ⁷SO is not available with 36" rail lengths in AH and Button Board (B)
- ⁸HO is not available with 60", 72" rail lengths in AT, AD, AH2, AH3 and Zipper Board (Z)
- ⁹HO is not available with 48" rail lengths in AH2, AH3 and Zipper Board (Z)
- ¹⁰HO is not available in AT, AD and Button Board (B)
- ¹¹HO is not available with 36" rail lengths in AH and Button Board (B)
- ¹²HO is not available with 36", 48" rail lengths in AH2, AH3 and Button Board (B)
- ¹³HO is not available with 60", 72" rail lengths in AH2, AH3
- ¹⁴See [Driver Guide](#) for limitations and see the [IES Files](#) page for performance data
- ¹⁵Occupancy and daylight sensors are available. Contact Vode or your Vode agent with your specific requirements.
- *Coming Soon. Contact Vode or your Vode agent for more information.



Applications

General Interior and Open Office



Newport Beach Civic Center, Newport Beach, CA



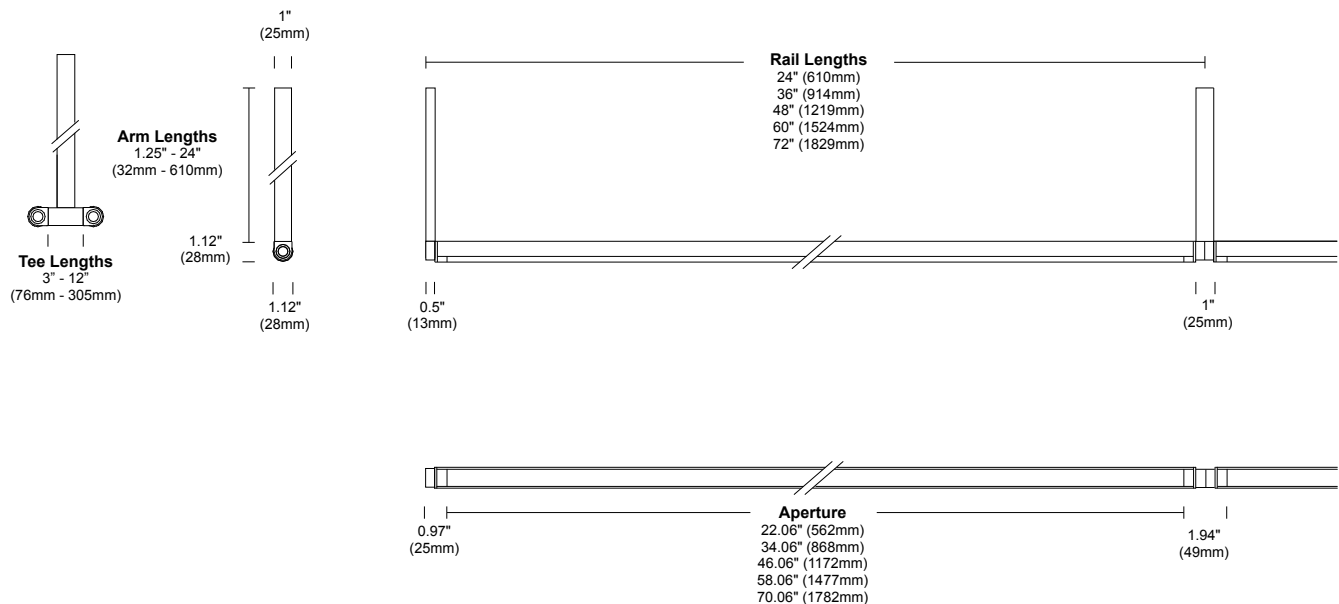
Structure

Rail Lengths	24" (610mm), 36" (914mm), 48" (1219mm), 60" (1524mm), 72" (1828mm).
Rail Dimensions	Ø1.12" (28mm).
Construction / Finish	Extruded and machined 6063 aluminum. Clear anodized, black anodized, white painted and non-standard finishes available.
Mounting	Ceiling or wall mount to jbox or driver housing.
Arm Length	1.25" (32mm) – 24" (610mm). Non-standard arm lengths available.
System Run Length	24" (610mm) minimum. Unlimited maximum length.
Operating Temperature	32°F to 104°F (0°C to 40°C).
Humidity	0-85%, non-condensing.
System Weight	0.88lbs (0.40kg) per foot (305mm). ¹

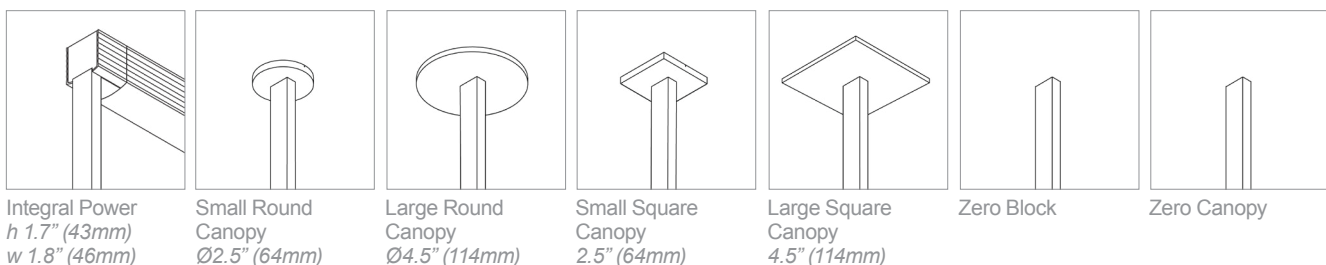
Materials

LED Board Construction	Aluminum core PCB, black LCP connectors, RoHS compliant.
Clear Lens, Diffuse Lens	High-impact extruded acrylic glass (PMMA).
Power Cable	Ø4mm, 18/2 AWG, Plenum (CMP) rated semi-rigid PVC, flame tested UL-910.
Cable Connectors	Unfilled white nylon, rated UL 94 V-0, halogen free, PVC overmold, RoHS compliant.
Remote Power Housing	1/16" (0.8mm) formed steel, zinc chromate plating.

Dimensions



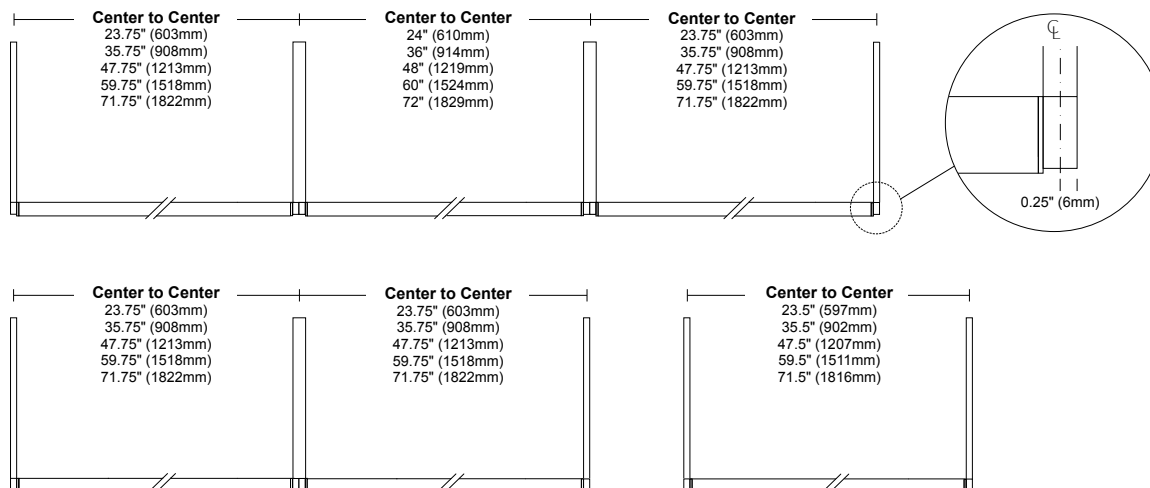
Mounting Hardware



NOTES & LIMITATIONS

¹Weight based on system consisting of 4' (1219mm) rail, 4' (1219mm) arm and mounting hardware. Power supply and housing not included.

Layout



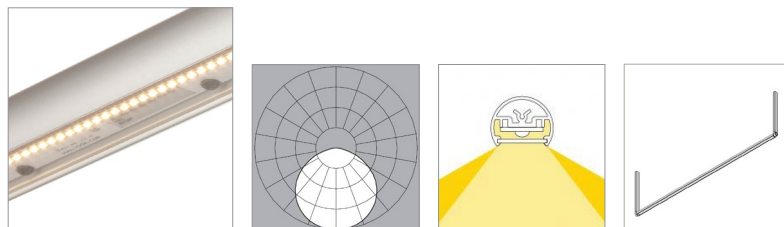
Power / Controls

Power Type	Class 2 (<60v output) constant current driver.
Dimming Controls	Dimming ¹ (0.1%, 1%) and 0-10v, DALI, DMX, Lutron Hi-lume 1% are available. See Driver Guide for details.
Input Voltage	120v - 277v, 50/60hz.
Power Location	Integral or remote power. Maximum remote distance up to 72' (22m) depending on driver selection. See Driver Guide for details.

Performance

Zipper Board has 72 diodes per foot (305mm). Performance data for standard output is listed below.²

Clear Lens, flat



	80 CRI				90 CRI			
	2700K	3000K	3500K	4000K	2700K	3000K	3500K	4000K
Low Output (LO)								
Efficacy - Lumens per Watt	102	106	110	115	83	87	91	94
Lumens per foot (305mm)	391	408	425	442	320	334	348	362
Watts per foot (305mm)	3.9	3.9	3.9	3.9	3.9	3.9	3.9	3.9
CRI (>80min., 84 avg.)	-	-	-	-	-	-	-	-
Standard Output (SO)								
Efficacy - Lumens per Watt	124	129	134	140	101	105	110	114
Lumens per foot (305mm)	781	815	849	883	640	674	707	724
Watts per foot (305mm)	6.4	6.4	6.4	6.4	6.4	6.4	6.4	6.4
CRI (>80min., 84 avg.)	-	-	84	-	-	-	84	-
High Output (HO)								
Efficacy - Lumens per Watt	109	114	118	123	89	93	97	101
Lumens per foot (305mm)	1438	1500	1563	1625	1178	1229	1280	1332
Watts per foot (305mm)	13.3	13.3	13.3	13.3	13.3	13.3	13.3	13.3
CRI (>80min., 84 avg.)	-	-	-	-	-	-	-	-

**90 CRI Coming
Fall 2017**

NOTES & LIMITATIONS

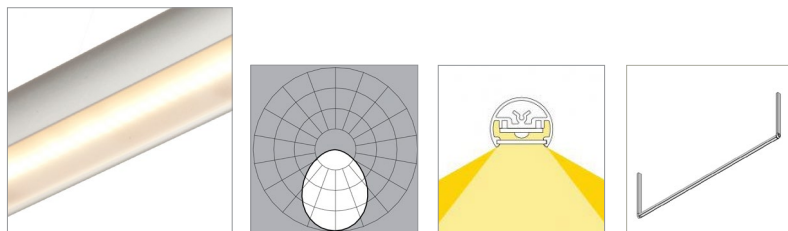
¹Dimming curve is factory preset to linear. Logarithmic is available upon request.

²Based on testing 4' rail section. Lumen measurement complies with IES-LM-79-08 testing procedures.

Performance

Zipper Board has 72 diodes per foot (305mm). Performance data listed below.¹

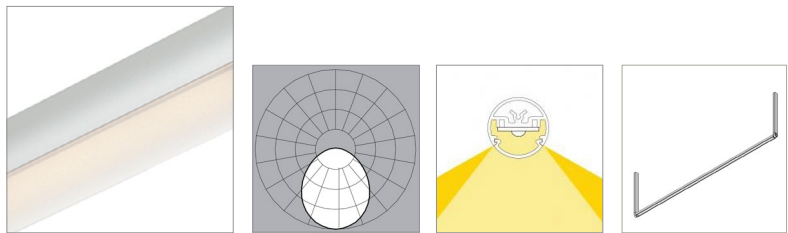
Diffuse Lens, flat



	80 CRI				90 CRI			
	2700K	3000K	3500K	4000K	2700K	3000K	3500K	4000K
Low Output (LO)								
Efficacy - Lumens per Watt	86	90	94	97	71	74	77	80
Lumens per foot (305mm)	331	345	359	374	273	285	297	309
Watts per foot (305mm)	3.9	3.9	3.9	3.9	3.9	3.9	3.9	3.9
CRI (>80min., 84 avg.)	-	-	-	-	-	-	84	-
Standard Output (SO)								
Efficacy - Lumens per Watt	105	109	114	118	87	90	93	98
Lumens per foot (305mm)	661	690	719	748	541	569	597	612
Watts per foot (305mm)	6.4	6.4	6.4	6.4	6.3	6.3	6.3	6.3
CRI (>80min., 84 avg.)	-	-	84	-	-	-	84	-
High Output (HO)								
Efficacy - Lumens per Watt	92	96	100	104	76	79	82	85
Lumens per foot (305mm)	1217	1270	1323	1376	995	1038	1081	1125
Watts per foot (305mm)	13.3	13.3	13.3	13.3	13.3	13.3	13.3	13.3
CRI (>80min., 84 avg.)	-	-	-	-	-	-	83	-

**90 CRI Coming
Fall 2017**

Diffuse Lens, round



	80 CRI				90 CRI			
	2700K	3000K	3500K	4000K	2700K	3000K	3500K	4000K
Low Output (LO)								
Efficacy - Lumens per Watt	90	94	98	102	51	53	56	58
Lumens per foot (305mm)	347	362	377	392	196	204	213	221
Watts per foot (305mm)	3.9	3.9	3.9	3.9	3.9	3.9	3.9	3.9
CRI (>80min., 84 avg.)	-	-	-	-	-	-	-	-
Standard Output (SO)								
Efficacy - Lumens per Watt	109	114	119	124	62	64	66	70
Lumens per foot (305mm)	694	724	755	785	392	408	424	443
Watts per foot (305mm)	6.4	6.4	6.4	6.4	6.4	6.4	6.4	6.4
CRI (>80min., 84 avg.)	-	-	84	-	-	-	84	-
High Output (HO)								
Efficacy - Lumens per Watt	97	101	105	109	55	57	60	62
Lumens per foot (305mm)	1277	1333	1388	1444	720	752	783	814
Watts per foot (305mm)	13.3	13.3	13.3	13.3	13.3	13.3	13.3	13.3
CRI (>80min., 84 avg.)	-	-	-	-	-	-	-	-

**90 CRI Coming
Fall 2017**

NOTES & LIMITATIONS

¹Based on testing 4' rail section. Lumen measurement complies with IES-LM-79-08 testing procedures.

Copyright © 2017 Vode Lighting LLC. All rights reserved.

The Vode logo and Vode, RaceRail and Zipper Board names are either registered trademarks or trademarks of Vode Lighting LLC in the United States and/or other countries. All other brand or product names are trademarks or registered trademarks of their respective owners. Due to ongoing innovation, specifications may change without notice.

Vode Lighting LLC | 21684 Eighth Street East, Suite 700, Sonoma, CA 95476 | 707.996.9898