



Spec Guide

BoxRail™ | Table Arm | 107

Task lighting for corporate, educational and library applications.



BoxRail, direct or indirect, 370° rotation.

Benefits & Features

Super Slim Robust Design

Square profile, 1.14" (29mm) x 1.14" (29mm), 370° rotation, angle gauge and lock.

Superior Light Quality & Performance

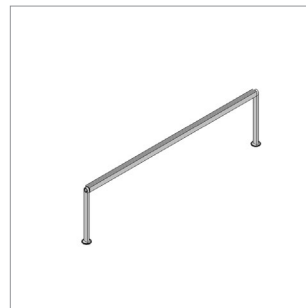
Standard Output up to 114 lm/W, 724 lm/ft (2374 lm/m) and 84 CRI.
High Output up to 1332 lm/ft (4369 lm/m). 90 CRI available.

Adaptive Power Modules

0.1% dimming available for all configurations and protocols.

Elegant Power Accessories

In-table power receptacle and on/off switch options available.



Shown: Arm Anchor



Shown: Arm Anchor

Build Your Specification

107-BX					TA	»
System & Rail Type	Single/Double Rail	System Length	Rail Length	Mounting	Arm Length	
107-BX BoxRail	01 Single Rail 03 Double Rail with 3" (76mm) Tee 06 Double Rail with 6" (152mm) Tee 12 Double Rail with 12" (305mm) Tee ZZ ZZ Other (please specify)	Specify total system length in 1ft (305mm) increments.	24 24" (610mm) 36 36" (914mm) 48 48" (1219mm) 60 60" (1524mm) 72 72" (1829mm) ZZ Other rail length or layout (please specify)	TA Table Arm	18 18" arm (457mm) ZZ Other (please specify) ¹	

»	2T			0	»
Power Location	Power Type²	Voltage	Emergency Power	LED Type	
Remote Power 2T Arm Anchor	AE eldoLED 0-10v, 1.0% Dimming AT eldoLED 0-10v, 0.1% Dimming AD eldoLED DALI, 0.1% Dimming AX eldoLED DMX, 100-0% Dimming ³ AH Lutron Hi-lume 1% EcoSystem (LDE1) ⁴ AH2 Lutron Hi-lume 1% 2-wire (LTE) ⁵ AH3 Lutron Hi-lume 1% EcoSystem/3-wire (L3D) ZZ Other (please specify)	1 120v 2 120v-277v 4 120v-240v X Not Yet Specified	Contact Vode or your Vode agent for emergency power options.	Z Zipper Board ZZ Other (please specify)	

»					
Lumen Output	Color Temperature	Optics	Sensors	Finish	Options
LO Low Output SO Standard Output HO High Output ^{6,7,8} ZZ Other (please specify) ⁹	80+ CRI 27 2700K 30 3000K 35 3500K 40 4000K ZZ Other (please specify) 90+ CRI 279 2700K 309 3000K 359 3500K 409 4000K ZZ Other (please specify)	Zipper Board (Z) 0 Clear Lens 1 Diffuse Lens WB White Baffle BB Black Baffle G1 120° Batwing* G2 120° Flywing* S1 40° Symmetric* S2 60° Symmetric* A1 85° Asymmetric* ZZ Other (please specify)	0 None ZZ Other (please specify) ¹⁰	AL Clear Anodized WH White Painted BL Black Anodized ZZ Other (please specify)	0 None 1 On/Off Switch ¹¹ 3 9' 18/3 Cord and Plug

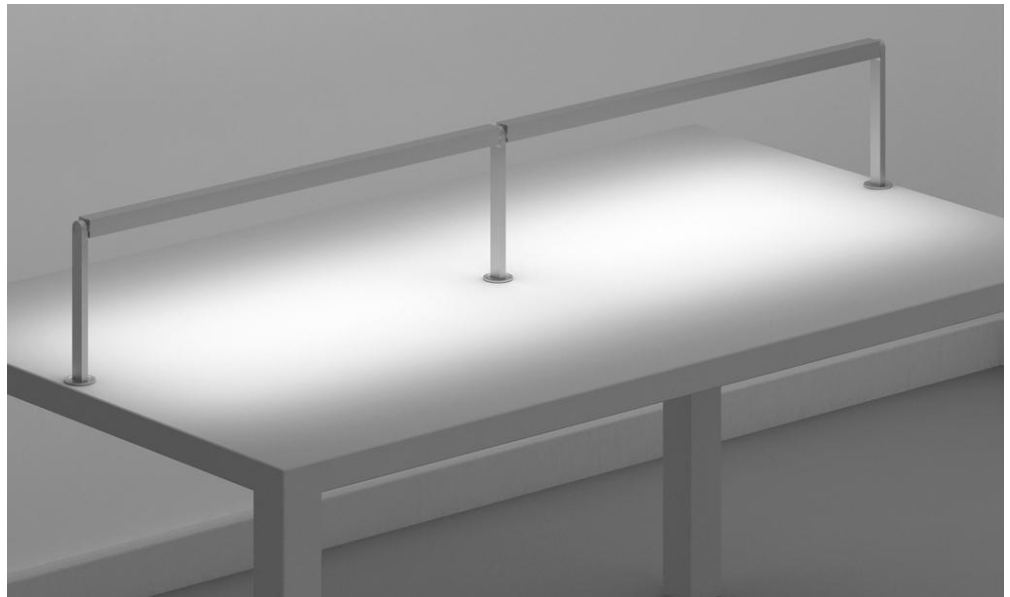
NOTES & LIMITATIONS

- ¹Arm lengths >48" not recommended
 - ²Dimming curve is factory preset to linear. Logarithmic is available upon request.
 - ³AX is not available with High Output (HO)
 - ⁴AH is not available with 24" rail lengths
 - ⁵AH2 is only available in 120v
 - ⁶HO is not available with 60" rail lengths in AT, AD, AH2, AH3
 - ⁷HO is not available with 48" rail lengths in AH2, AH3
 - ⁸HO is not available with 60", 72" rail lengths in AH2, AH3
 - ⁹See [Driver Guide](#) for limitations and see the [IES Files](#) page for performance data
 - ¹⁰Occupancy and daylight sensors are available. Contact Vode or your Vode agent with your specific requirements.
 - ¹¹One On/Off Switch per LED Driver
- ^{*}Coming Soon. Contact Vode or your Vode agent for more information.



Applications

Corporate, Educational, and Library



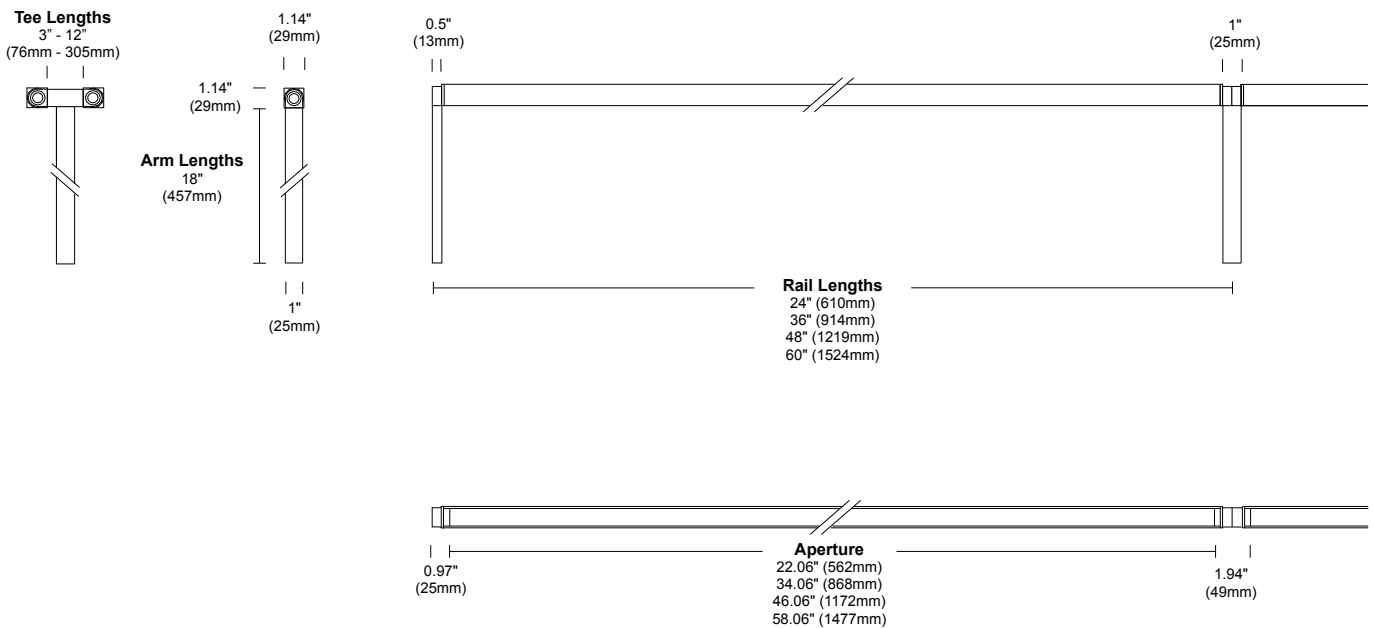
Structure

Rail Lengths	24" (610mm), 36" (914mm), 48" (1219mm), 60" (1524mm).
Rail Dimensions	1.14" (29mm) x 1.14" (29mm).
Construction / Finish	Extruded and machined 6063 aluminum. Clear anodized, black anodized, white painted and non-standard finishes available.
Mounting	Table mount to Arm Anchor.
Arm Length	18" (457mm). Non-standard arm lengths available. Arm lengths >48" (1219mm) not recommended.
System Run Length	24" (610mm) minimum. Unlimited maximum.
Operating Temperature	32°F to 104°F (0°C to 40°C).
Humidity	0-85%, non-condensing.

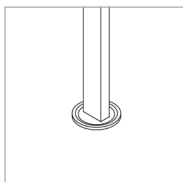
Materials

LED Board Construction	Aluminum core PCB, black LCP connectors, RoHS compliant.
Clear Lens, Diffuse Lens	High-impact extruded acrylic glass (PMMA).
Baffle	6063 Aluminum, RoHS compliant painted finish.
Button Optics	High-impact cast acrylic glass (PMMA), polycarbonate (PC) holder.
Power Cable	Ø4mm, 18/2 AWG, Plenum (CMP) rated semi-rigid PVC, flame tested UL-910.
Cable Connectors	Unfilled white nylon, rated UL 94 V-0, halogen free, PVC overmold, RoHS compliant.
Remote Power Housing	1/16" (0.8mm) formed steel, zinc chromate plating.

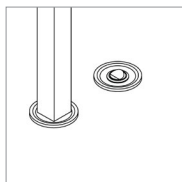
Dimensions



Mounting Hardware



Arm Anchor
h0.1" (3mm)
Ø2" (51mm)

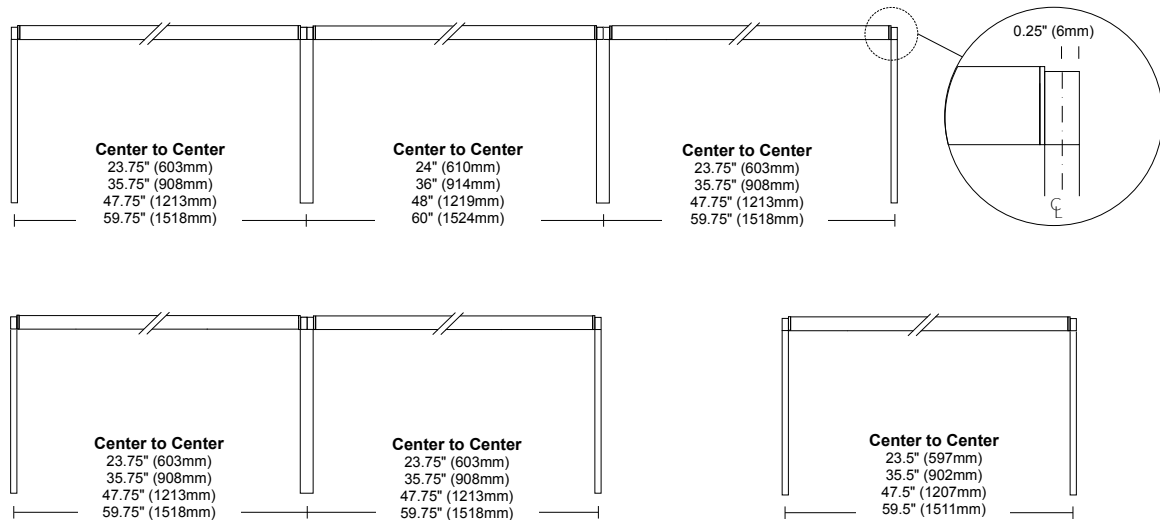


On/Off Switch
(optional)

NOTES & LIMITATIONS

*Weight based on system consisting of 4' (1219mm) rail, 4' (1219mm) arm and mounting hardware. Power supply and housing not included.

Layout



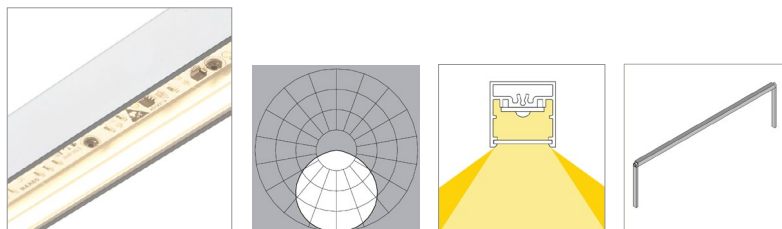
Power / Controls

Power Type	Class 2 (<60v output) constant current driver.
Dimming Controls	Dimming ¹ (0.1%, 1%) and 0-10v, DALI, DMX, Lutron Hi-lume 1% are available. See Driver Guide for details.
Input Voltage	120v - 277v, 50/60hz.
Power Location	Integral or remote power. Maximum remote distance up to 72' (22m) depending on driver selection. See Driver Guide for details.

Performance

Zipper Board has 72 diodes per foot (305mm). Performance data for standard output is listed below.²

Clear Lens



	80 CRI				90 CRI			
	2700K	3000K	3500K	4000K	2700K	3000K	3500K	4000K
Low Output (LO)								
Efficacy - Lumens per Watt	83	87	91	94	83	87	91	94
Lumens per foot (305mm)	320	334	348	362	320	334	348	362
Watts per foot (305mm)	3.9	3.9	3.9	3.9	3.9	3.9	3.9	3.9
CRI (>80min., 84 avg.)	-	-	-	-	-	-	-	-
Standard Output (SO)								
Efficacy - Lumens per Watt	101	106	110	114	101	106	110	114
Lumens per foot (305mm)	640	668	696	724	640	668	696	724
Watts per foot (305mm)	6.4	6.4	6.4	6.4	6.4	6.4	6.4	6.4
CRI (>80min., 84 avg.)	-	-	84	-	-	-	84	-
High Output (HO)								
Efficacy - Lumens per Watt	89	93	97	101	89	93	97	101
Lumens per foot (305mm)	1178	1229	1280	1332	1178	1229	1280	1332
Watts per foot (305mm)	13.3	13.3	13.3	13.3	13.3	13.3	13.3	13.3
CRI (>80min., 84 avg.)	-	-	-	-	-	-	-	-

**90 CRI Coming
Fall 2017**

NOTES & LIMITATIONS

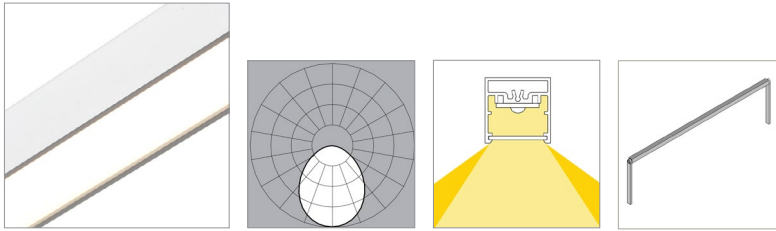
¹Dimming curve is factory preset to linear. Logarithmic is available upon request.

²Based on testing 4' rail section. Lumen measurement complies with IES-LM-79-08 testing procedures.

Performance

Zipper Board has 72 diodes per foot (305mm). Performance data listed below.¹

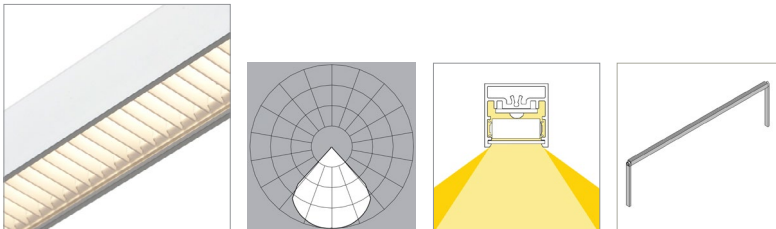
Diffuse Lens



	80 CRI				90 CRI			
	2700K	3000K	3500K	4000K	2700K	3000K	3500K	4000K
Low Output (LO)								
Efficacy - Lumens per Watt	71	74	77	80	71	74	77	80
Lumens per foot (305mm)	273	285	297	309	273	285	297	309
Watts per foot (305mm)	3.9	3.9	3.9	3.9	3.9	3.9	3.9	3.9
CRI (>80min., 84 avg.)	-	-	84	-	-	-	84	-
Standard Output (SO)								
Efficacy - Lumens per Watt	87	90	94	98	87	90	94	98
Lumens per foot (305mm)	541	565	589	612	541	565	589	612
Watts per foot (305mm)	6.3	6.3	6.3	6.3	6.3	6.3	6.3	6.3
CRI (>80min., 84 avg.)	-	-	84	-	-	-	84	-
High Output (HO)								
Efficacy - Lumens per Watt	76	79	82	85	76	79	82	85
Lumens per foot (305mm)	995	1038	1081	1125	995	1038	1081	1125
Watts per foot (305mm)	13.3	13.3	13.3	13.3	13.3	13.3	13.3	13.3
CRI (>80min., 84 avg.)	-	-	83	-	-	-	83	-

**90 CRI Coming
Fall 2017**

White Baffle



	80 CRI				90 CRI			
	2700K	3000K	3500K	4000K	2700K	3000K	3500K	4000K
Low Output (LO)								
Efficacy - Lumens per Watt	51	53	56	58	51	53	56	58
Lumens per foot (305mm)	196	204	213	221	196	204	213	221
Watts per foot (305mm)	3.9	3.9	3.9	3.9	3.9	3.9	3.9	3.9
CRI (>80min., 84 avg.)	-	-	-	-	-	-	-	-
Standard Output (SO)								
Efficacy - Lumens per Watt	62	65	68	70	62	65	68	70
Lumens per foot (305mm)	392	409	426	443	392	409	426	443
Watts per foot (305mm)	6.4	6.4	6.4	6.4	6.4	6.4	6.4	6.4
CRI (>80min., 84 avg.)	-	-	84	-	-	-	84	-
High Output (HO)								
Efficacy - Lumens per Watt	55	57	60	62	55	57	60	62
Lumens per foot (305mm)	720	752	783	814	720	752	783	814
Watts per foot (305mm)	13.3	13.3	13.3	13.3	13.3	13.3	13.3	13.3
CRI (>80min., 84 avg.)	-	-	-	-	-	-	-	-

**90 CRI Coming
Fall 2017**

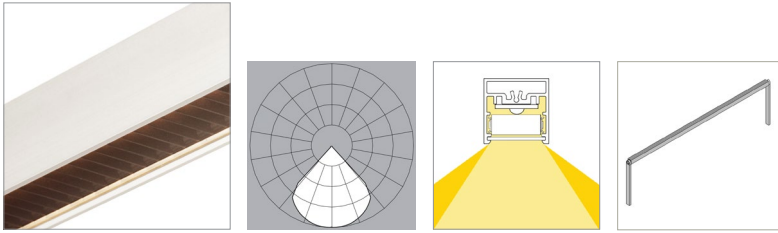
NOTES & LIMITATIONS

¹Based on testing 4' rail section. Lumen measurement complies with IES-LM-79-08 testing procedures.

Performance

Zipper Board has 72 diodes per foot (305mm). Performance data listed below.¹

Black Baffle



	80 CRI				90 CRI			
	2700K	3000K	3500K	4000K	2700K	3000K	3500K	4000K
Low Output (LO)								
Efficacy - Lumens per Watt	28	29	31	32	28	29	31	32
Lumens per foot (305mm)	107	112	117	121	107	112	117	121
Watts per foot (305mm)	3.9	3.9	3.9	3.9	3.9	3.9	3.9	3.9
CRI (>80min., 84 avg.)	-	-	-	-	-	-	-	-
Standard Output (SO)								
Efficacy - Lumens per Watt	35	36	38	39	35	36	38	39
Lumens per foot (305mm)	215	224	234	243	215	224	234	243
Watts per foot (305mm)	6.3	6.3	6.3	6.3	6.3	6.3	6.3	6.3
CRI (>80min., 84 avg.)	-	-	84	-	-	-	84	-
High Output (HO)								
Efficacy - Lumens per Watt	30	32	33	34	30	32	33	34
Lumens per foot (305mm)	395	412	430	447	395	412	430	447
Watts per foot (305mm)	13.3	13.3	13.3	13.3	13.3	13.3	13.3	13.3
CRI (>80min., 84 avg.)	-	-	-	-	-	-	-	-

**90 CRI Coming
Fall 2017**

NOTES & LIMITATIONS

¹Based on testing 4' rail section. Lumen measurement complies with IES-LM-79-08 testing procedures.